

CTG61

ELEMENTS

Metallic Glass Cylinder Gravity-Fit Shade

Simple yet elegant ELEMENTS metallic glass cylinder pendant shades combine contemporary cylinder shapes with translucent metallic glass to add visual interest to any décor. These shades enhance the ambiance created by filament lamps by revealing and multiplying the soft glow of the filaments. When used with ConTech's CRS8 LED Pendant choose the double cylinder configuration with white frost inner cylinder to illuminate the outer shade evenly for a clean, inviting design. These shades are designed for use with ConTech's Gravity-Fit pendant fixtures and include 1-11/64" (30 mm) I.D. mounting ring.



CTG61C Copper



CTG61G Gold

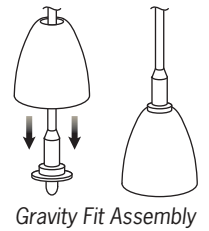


CTG61S Silver/Chrome

Shown with MEGAMAN Edison-style LED Filament lamp (P/N LG7003DGD-E26-2200K-120V)



CTG61S-OFG101 ELEMENTS Silver/Chrome Double Cylinder configuration for CRS8 LED Pendant



Ordering Information

Example Order: —

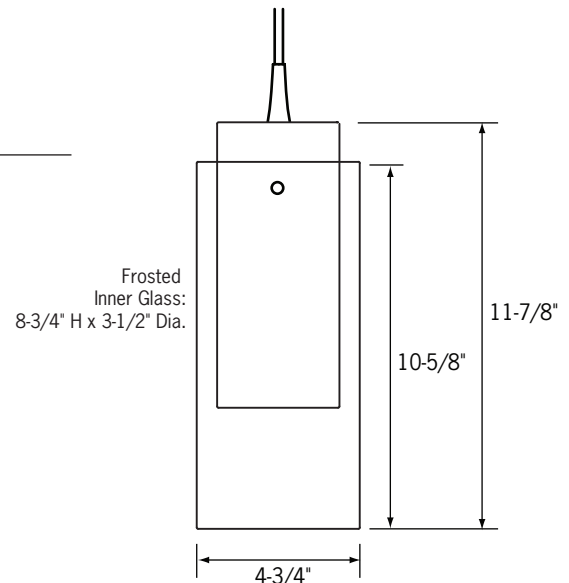
Shade

Finish

Inner Diffuser

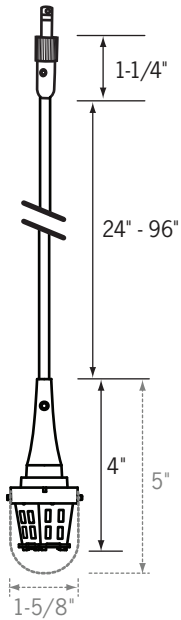
CTG61 - ELEMENTS Metallic Glass Cylinder with Mounting Ring
C - Copper
G - Gold
S - Silver/Chrome

OFG101 - White Frost Inner Cylinder Diffuser For Use with CRS8 LED Pendant



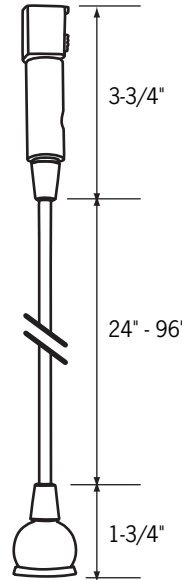
Gravity-Fit Shade Pendant Compatibility

LED Pendants



CRS8 Quick Release 8W LED Pendant

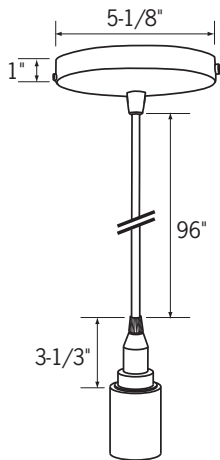
- 3000K with 750+ delivered Lumens
- Omni-directional light output provides even illumination of the shade, as well as a strong downward punch of light; providing functional task illumination
- Dimming allows smooth illumination down to 10%
- Available in four (4) standard field adjustable lengths (24", 48", 72", and 96")
- Can be used with various ceiling canopies or on a line voltage track system



MRL-3LED Symphony Mini-Track LED Pendant

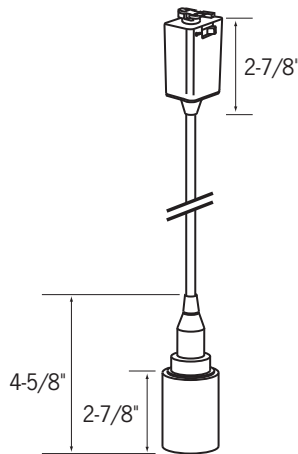
- 9W LED pendant provides an eco-friendly solution for decorative lighting
- Available in 3000K or 6000K
- Semi-rigid cable is available in three lengths: 2', 4' or 8'
- Works only on Symphony low voltage mini-track

E26 Base Pendants – LED or Incandescent Lamps



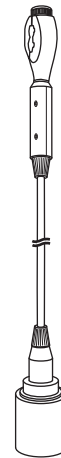
RLMAC1596 Line Voltage Mono-Point Pendant

- E26 medium base, max 60W A15 lamp
- A minimum shade height of 6" is recommended to cover the lamp
- 96" Semi-rigid wiring cover keeps cord straight for clean appearance. Cord may be field modified for shorter lengths.



RLMA15 Line Voltage Pendant

- E26 medium base, max 60W A15 lamp
- A minimum shade height of 6" is recommended to cover the lamp
- Available in 2', 4' and 8' lengths. Cord may be field modified for shorter lengths.
- Includes track adapter for mounting with a convenient on/off switch and polarity indicator.
- May be also used with LA-18 Mono-Point adapter, CTR618 Line Voltage Recessed Adapter Plate or LIR59875 Odyssey Flexible Track Adapter (each must be ordered separately).



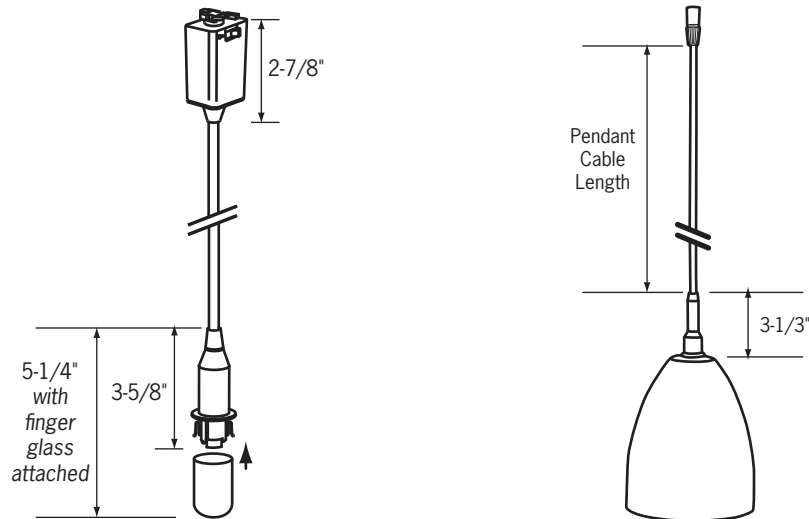
LIR7 Odyssey Line Voltage Track Pendant

- E26 medium base, max 40W A15 lamp
- Available in 2', 4', 6' and 8' lengths. Cord may be field modified for shorter lengths.
- Works only on Odyssey Line Voltage Flexible Track

CONTINUED

Gravity-Fit Shade Pendant Compatibility

Incandescent Pendants



RLM9 G9 **Line Voltage Track Pendant**

- G9 Bi-Pin Base, max 40W lamp
- Available in 2', 4' and 8' lengths. Cord may be field modified
- Includes track adapter for mounting with a convenient on/off switch and polarity indicator
- May be also used with LA-18 Mono-Point adapter, CTR618 Line Voltage Recessed Adapter Plate or LIR59875 Odyssey Flexible Track Adapter (each must be ordered separately)

CRS7 Quick Release **Low Voltage Pendant**

- Max 50W T5 Xenon or T4 Halogen Lamp, GY6.35 base
- Available in 2', 4', 6', & 8' lengths; May be field modified
- With the appropriate adapter, this pendant is compatible with our Magellan and Odyssey Flexible Track Systems, Symphony Low Voltage Track, Line Voltage Track and Mono-point Ceiling Canopies