

# PL Series

## 2' and 4' LED Chain Pendant Fixture with Cord & Pull Chain

### Specifications/Features

#### Housing

Commercial grade 2' and 4' Chain Hung Fixture with Cord, Plug, and Pull Chain.  
Integrated LED Strips delivering over 900 lumens per foot.  
Brushed Aluminum finish with opaque white high impact acrylic lens.  
Available in 2700K, 3000K, 3500K, and 4000K CCT with 83 CRI.

#### Lamp/Electrical

Light engine consists of multi-chip LED strips.  
10 Watts per linear foot.  
120-277V Integrated, non-dimming driver.  
Comes Standard with 120V, 15A Plug and 6' SJ Cord pre-wired.  
Integrated on/off switch with pull chain.

#### Mounting

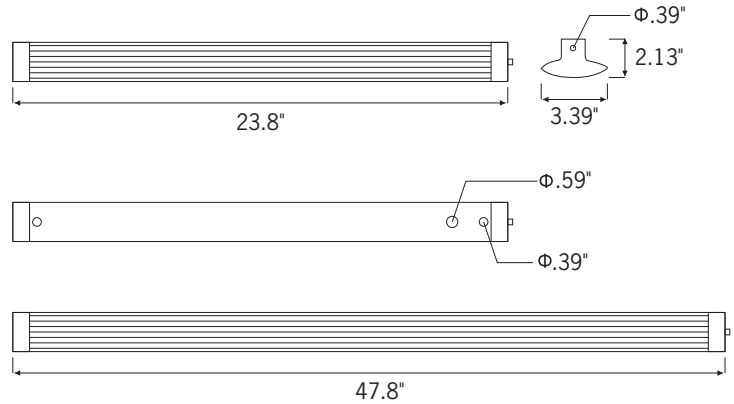
Chain suspended from Ceiling.  
Includes mounting hooks and 4' chains.

#### Warranty

This complete fixture is covered by ConTech's full five (5) year replacement guarantee after date of purchase.

#### Listing

ETL Certified for use in the U.S. and Canada.  
All models must be installed per specific product installation instruction and all appropriate National Electrical Codes.



### Ordering Information

Example Order:  -  -

Fixture	Length	Color Temp	Driver	Electrical	Finish
<b>PL</b>	<b>2</b> - 23.7" L <b>4</b> - 47.8" L	<b>27K</b> - 2700K <b>30K</b> - 3000K <b>35K</b> - 3500K <b>40K</b> - 4000K	<b>MV</b> - 120 - 277V	<b>CPC</b> - Cord, Plug, Chain	<b>P</b> - White