

# PLT Series

## Precedent Linear Track Module

### Specifications/Features

The ConTech Precedent PLT Linear Track Module family allows for seamless integration of ConTech Track with the Precedent Performance LED Linear Series. Ideal for adding track heads into grocery, retail, library and other aisle environments to illuminate endcaps. The system can accommodate single circuit, two circuit, and Nordic Track options. See ConTech Track Luminaire catalog and/or specification sheets for available luminaires (sold separately).

### Housing

Extruded aluminum housing in 4' and 8' sections come complete with quick connects to allow for direct linking to existing or new Precedent linear fixture runs.

Available in white, black or silver finishes, each length houses a full length of specified ConTech Track.

Construction allows for suspended or ceiling surface mounting. 10' and 20' field adjustable aircraft support accessories available. Body construction accepts 1/4" threaded rod (rod and hardware provided by others)

Accessory to accept up to 1/2" threaded rod available.

### Electrical

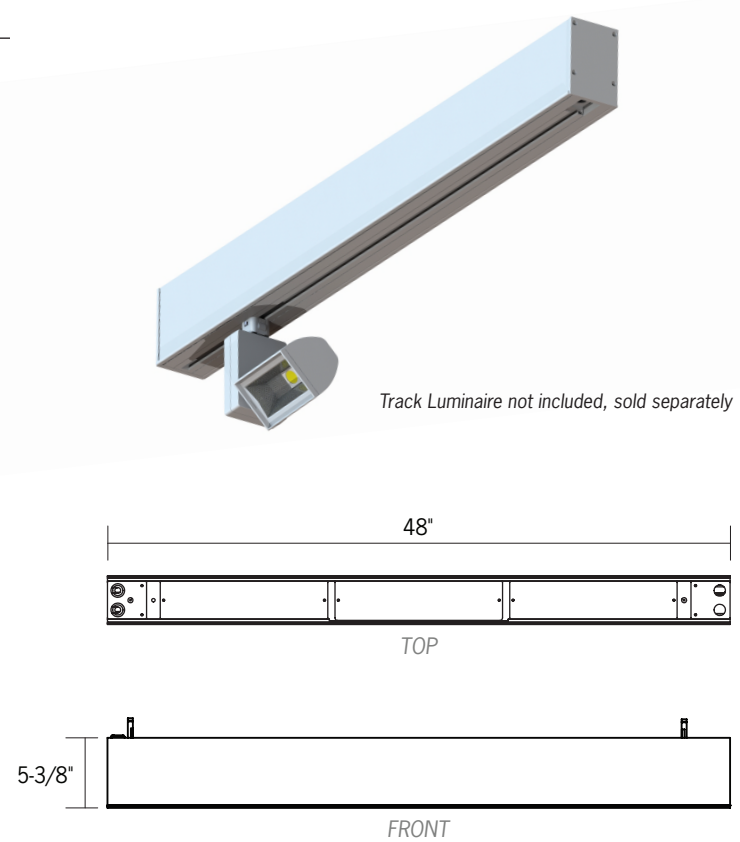
Track is easily powered through connection with Precedent Linear fixtures. Module may be placed at beginning, middle or end of any linear run. Power Feeds if being used individually or at start of run listed on Precedent Luminaire specification sheet (sold separately)

### Warranty

This complete fixture is covered by ConTech's full five (5) year replacement guarantee after date of purchase.

### Listing

CCSAus Certified for use in the U.S. and Canada. Fixture must be installed in accordance to all product specific installation instructions and appropriate Nation Electric Codes. Assembled in the U.S.A.



The Maximum Precedent Linear System run (found on the [PL Series Specification sheet](#)) must be reduced by 4' per:  
 Series 1: 30 Watts of Track Head Lighting installed  
 Series 2: 40 Watts of Track Head Lighting installed  
 Series 3: 60 Watts of Track Head Lighting installed

### Ordering Information

Example Order:  -

Fixture	Length	Track Style	Harness <sup>1</sup>	Step Down Transformer <sup>2</sup>	Current Limiter <sup>3</sup>	Channel Finish
<b>PLT</b>	<b>4</b> - 4' L <b>8</b> - 8' L	<b>LT1</b> - Single Circuit, 120V ConTech Track <b>LT2</b> - Two Circuit, One Neutral, 120V ConTech Track <b>NTEK</b> - Two Circuit, Two Neutral, 120V Nordic Track <b>NHTEK<sup>4</sup></b> - Two Circuit, Two Neutral, 277V Nordic Track	<b>1C</b> - 1 Circuit Precedent Wiring <b>2C</b> - 2 Circuit Precedent Wiring <b>3C</b> - 3 Circuit Precedent Wiring	- Blank (120V Input) <b>T</b> - 277V to 120V Step Down	<b>REG0.50A</b> - 60W, 0.5A <b>REG1</b> - 120W, 1A <b>REG2</b> - 210W, 1.75A <b>REG21</b> - 240W, 2A <b>REG3</b> - 300W, 2.5A <b>REG4</b> - 360W, 3A	<b>B</b> - Matte Black <b>P</b> - White <b>S</b> - Silver

1. Harness selection must match "Circuit Control" selection from associated Precedent Linear fixture  
 2. Step down transformer only available with 1C configurations.  
 3. Current Limiters only available for 120V systems  
 4. NHTEK (277V Nordic) must use 3C Harness system

See [Precedent Linear Series Specification Sheet](#) for mounting and/or power feed accessories if needed.