

PLU Series

Precedent Performance LED Linear Up-light Kit

Specifications/Features

The PLU Series Up-Light Kits allow for indirect accent lighting additions to the Precedent Linear Series of products. These 4' Kits may be linked to provide continuous runs of up to 40 feet with one driver. Ideal for eliminating dark ceiling cavities created in high ceiling/long pendant drop applications. Varied configurations and color temperatures provide outputs between 250Lm/ft and 800Lm/ft. Easy to install, these kits can be installed with the initial installation or as a retrofit addition. Each uplight kit includes 4 mounting clips, connectors, and specified lensed unit.

Mounting

Each PLU Kit is a complete 44" long unit with appropriate hardware to mount directly to the top of the Precedent Linear Pendants. Included with each kit are connectors to allow for joining segments as needed. Driver selection is done separately dependent upon desired length of runs.

Warranty

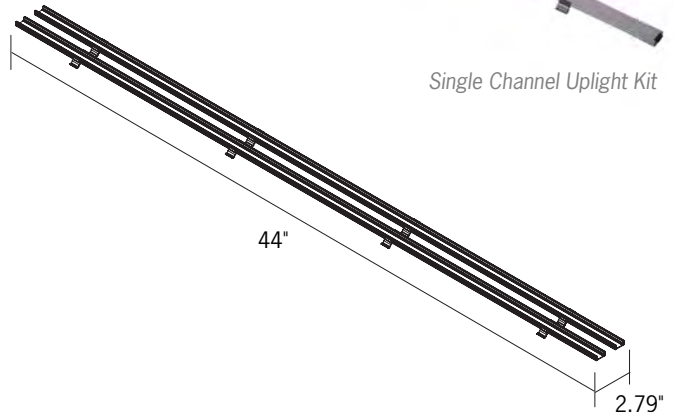
This product is covered by ConTech's full replacement guarantee after date of purchase: Five (5) year replacement guarantee. System designed and rated for 50,000 hours at 70% lumen maintenance.

Listing

cCSAus Certified to UL Standards. Suitable for dry or damp locations. Not suitable for wet locations.



Single Channel Uplight Kit



Two Channel Uplight Kit

Nominal Outputs per Kit (Lumens*)

	Clear Lens	Frosted Lens
Standard Output, Single Run	850	715
Standard Output, Double Run	1700	1430
High Output, Single Run	1600	1300
High Output, Double Run	3200	2600

*Delivered Lumens based on CCT of 3000K

Maximum Kits per Driver

ConTech POWER SUPPLY INPUT VOLTAGE: 24V DC	24V STD. OUTPUT 2.1W/FT		24V HIGH OUTPUT 3.8W/FT	
	MAX RUN	MAX SPLIT	MAX RUN	MAX SPLIT
20W	2 Kits	2 Kits	1 Kit	1 Kit
26W	3 Kits	4 Kits	2 Kits	2 Kits
60W	4 Kits	6 Kits	3 Kits	4 Kits
90W	7 Kits	10 Kits	4 Kits	5 Kits
96W	8 Kits	11 Kits	5 Kits	6 Kits

*Max split can be split more than once, without exceeding the max single run in each leg.

- Max Run refers to the total single run of kits that can go on a power supply. Max Split refers to the total amount of kits that can go on a driver if it were separated into two runs.
- Max Run lengths are calculated with 24V DC at the start of the kit run. Voltage drop may occur if not using proper wire gauge. Please refer to the Power Supply Wiring Chart on page one of these instructions.
- Max Run lengths above are calculated with no more than 30% light loss from the start of the kit run to the end of the kit run for optimal light consistency. If run lengths are extended beyond the recommended lengths noted above, there will be inconsistent light output and voltage drop.

PLU Series

Precedent Performance LED Linear Up-light Kit

Ordering Information

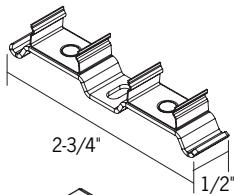
Example Order: -

Kit Length	Voltage	Output	Color Temp	Run Channels	Lens	Channel Finish
<input type="text" value="PLU4 - 4FT"/>	<input type="text" value="24V - 24 Volt"/>	<input type="text" value="1 - Standard Output
2 - High Output"/>	<input type="text" value="27K - 2700K
30K - 3000K
35K - 3500K
40K - 4000K"/>	<input type="text" value="1 - Single Run/1 Channel
2 - Double Run/2 Channels"/>	<input type="text" value="C - Clear Lens
F - Frosted Lens"/>	<input type="text" value="B - Black
A - Aluminum"/>

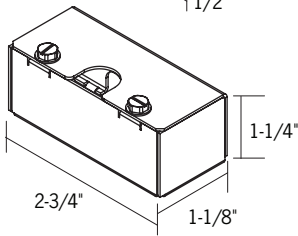
Each Kit Includes:

- One (1) Set of four (4) Mounting Clips
- One (1) or Two (2) Channels of Specified 44" Lighting with Clear or Frosted Cover
- One (1) Female-to-Female Kit Connector
- One (1) 2" Male-to-Female Kit Connector
- One (1) 6" Male-to-Female Kit Connector
- One (1) End-Cap Set

Extra Accessories



PLUCLIPS - Extra Set of Four (4) Uplight Clips
PLUJBOX - Optional Run Junction Box for Hard Wire Installs



PLU Series

Precedent Performance LED Linear Up-light Kit Accessories

Plug-In Power Supplies and Accessories



24V Plug-and-Play Power Supply

120VAC/24VDC. Includes AC wall plug and female power output plug for easy installation. Plug-in unit measures 3-1/4" L x 1-3/4" W x 1-1/4" D; system length: 6'.

TLP24VP36 - 36W
TLP24VP60 - 60W
TLP24VP90 - 90W



Plug-and-Play 2-Way Splitter

Includes (1) male and (2) female connectors. Approximately 2' long.

TLCS2



Plug-and-Play 3-Way Splitter

Includes (1) male plug connector and (3) female plug connectors. Approximately 2' long.

TLCS3



Plug-and-Play Power Supply Extension

Includes male and female plug connectors.

TLCEXT24 - 24"
TLCEXT36 - 36"
TLCEXT48 - 48"
TLCEXT96 - 96"



Input Power Connector

Includes (1) male plug connector and (1) male flex tape connector.

TLCIP12 - 12"
TLCIP19 - 19"



Output Power Connector

12" Connector includes (1) male plug connector and (1) female flex tape connector.

TLCOP12

Hardwire Power Supplies and Accessories



24V Hardwire Power Supply

120VAC/24VDC. Includes stripped and tinned wire pig-tails on the input and output sides. Must be maintained within an enclosure that meets local building codes and NEC (supplied by others). 1' Wire leads. Class II.

TLP24VHW20 - 120V/20W;
5-3/4" L x 1-1/2" W x 1-1/4" D
TLP24VHW60 - 120V/60W;
6-1/3" L x 1-3/4" W x 1-1/4" D
TLP24VHW96 - 120V/96W;
8-3/4" L x 2-2/3" W x 1-1/2" D



24V Hardwire Class II Enclosed Driver

120VAC/24VDC. Dimmable Class 2 driver. Compact self-enclosed driver with two (2) knockouts. Auto Reset and short circuit protection. Triac Voltage Dimming only, not compatible with low voltage.

TLP24VHW20-ENC - 120V/20W;
6-3/4" L x 2-2/3" W x 1-1/4" D
TLP24VHW60-ENC - 120V/60W;
6-3/4" L x 2-2/3" W x 1-1/4" D
TLP24VHW96-ENC - 120V/96W;
6-3/4" L x 2-2/3" W x 1-1/4" D
TLP24VHW96-ENC277V - 277V/96W;
9-7/8" L x 3" W x 3" D



Input Power Connector

Includes wire pigtail end and (1) male flex tape onnector.

TLCIP12HW - 12"
TLCIP19HW - 19"



Female Connector

6" Connector includes a wire pigtail end and a female plug connector on the other end. Used to add plug and play female connector to hardwire power supplies.

TLCCF



Output Power Connector

12" Connector includes wire pigtail end and (1) female flex tape connector.

TLCOP12HW



Male Connector

6" Connector includes a wire pigtail end and a male plug connector on the other end. Used for easy plug in connection to plug and play power supply and wire end can be connected to RGB controller at the screw terminals.

TLCCM