

For ConTech Lighting 6" or 8" Horizontal Lamp Architectural Grade Compact Fluorescent Recessed Housings: RA6113HEMV, RA6118HEMV, RA6142HEMV, RA6213HEMV, RA6218HEMV, RA6226HEMV, RA8113HEMV, RA8118HEMV, RA8142HEMV, RA8218HEMV, RA8226HEMV, RA8242HEMV

INSTALLATION PROCEDURES

NON-IC FIXTURE:

Housing can NOT be installed in direct contact with insulation. Do not install insulation within 3" of fixture sides or wiring compartment, nor above fixture in such a manner to entrap heat. (Figure 1)

HANGER BARS:

Install hanger bars to fixture, ensure end tab is facing outward. (Figure 2) Extend bar hangers to fit between joists and position fixture temporarily by hammering nail on bars into the joists. Hangers should be level with bottom of joists (Figure 3). Use T-Bar slot in the bottom bars for suspended (T-Bar) ceilings, bending the tabs to hold T-Bar tightly.

ELECTRICAL CONNECTION:

Junction box contains two wires: a black (hot +) and a white (neutral -). Wires must be spliced to the current feed wires. **MAKE SURE TO SPLICE WHITE TO WHITE AND BLACK TO BLACK.** After splicing is completed, insert wires carefully into junction box. Connect green ground wire to green grounding pigtail in junction box (Figure 4). Replace cover.

GROUNDING:

For Romex or 3-wire BX, flexible metal cable installations attach supply ground lead (green) to bare copper ground lead or ground screw in wiring box mounted on plaster frame. Local electrical codes should be consulted to determine acceptable installation: conduit, romex or flexible metal cable.

TRIM (ROUGH-IN) ASSEMBLIES:

Push trim into the trim ring and place through the hole on plaster frame. Install the socket housing on the top of trim with screw and nut provided. Push the trim in completely flush to the ceiling.

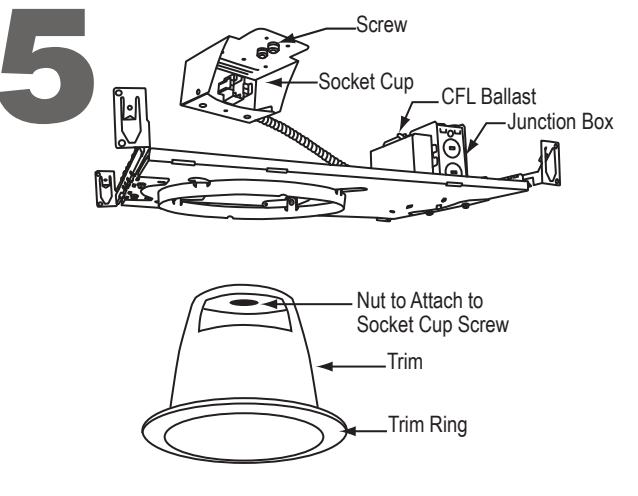
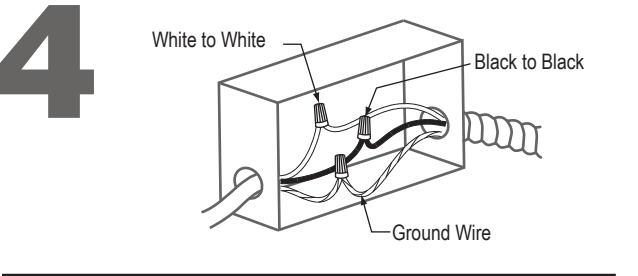
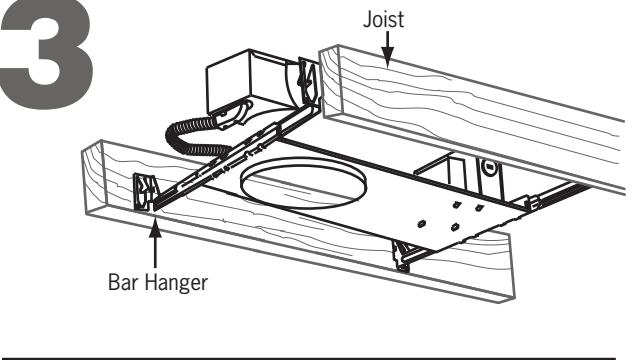
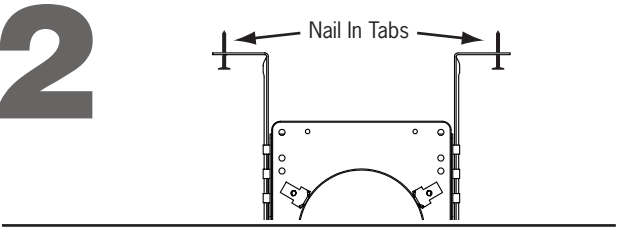
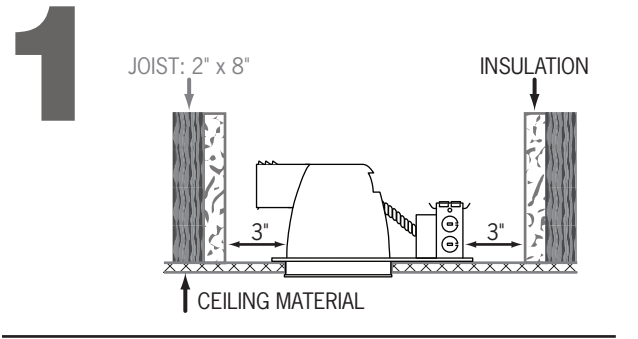
REPLACEMENT OF BALLAST:

If the ballast is not working properly, replace with the same ballast type. (Figure 5) Remove nut in the trim and pull down trim. Pull off the junction box cover installed ballast and remove ballast from the cover by unscrewing the two screws. Install new ballast and wire to same colored wire connectors on the back of the ballast according to the diagram on the ballast, then wire to supply wires in the junction box. Replace trim as instructed above.

- * Use only those trims, lamps and maximum wattages proper for this fixture, as indicated on the label within the housing. Do not exceed maximum wattage lamp shown for each trim.
- * The National Electrical Code, Article 110-3(B), states that "Listed or labeled equipment shall be used or installed in accordance with any instructions included in the listing or labeling." Use only with Con-Tech UL listed trims. Use of other trims not listed in this fixture, including those that are UL classified, is a violation of N.E.C. 110-3(B) and voids all warranties.

IMPORTANT SAFETY INSTRUCTIONS:

- Read all the instructions before installation. Save instructions for later use.
- Turn off power at fuse or circuit breaker box before installation or before doing any maintenance work.
- Product must be grounded to avoid potential electric shock and any other potential hazards.
- Product must be mounted in locations and at heights and in a manner consistent with its intended use, and in compliance with National Electrical Code and local codes. Use of accessory equipment is not recommended.
- Installing contrary to instructions may cause unsafe conditions.
- Do not block light from the trim aperture, in whole or in part, as this may cause unsafe conditions.
- **Warning:** Risk of fire. Most dwellings built before 1985 have supply wire rated at 60°C. Consult a qualified electrician before installation.
- To avoid hazards to children, account for all parts and properly dispose of all packing materials.
- Call the Technical Support department at ConTech Lighting with any installation questions: 847.559.5500.



All specifications subject to change without notice. For ConTech's limited product warranty, go to www.contechlighting.com. For a printed copy of the warranty, call 1-847-559-5500.