

INSTALLATION PROCEDURES

- **Housing can NOT be installed in direct contact with insulation.** Do not install insulation within 3" of fixture sides or wiring compartment, nor above fixture in such a manner to entrap heat. (Figure 1)
- Extend bar hangers to fit between joists and position fixture by hammering nail on bars into the joists. Hangers should be level with bottom of the joists.
- Use T-Bar slot in the bottom bars for suspended (T-Bar) ceilings, bending the tabs to hold T-Bar tightly.
- Make all necessary electrical connections (See "Electrical Connection").

ELECTRICAL CONNECTION:

- Local electrical codes should be consulted to determine acceptable installation: conduit, Romex or flexible metal cable.
- Remove the junction box cover.
- Follow the proper wiring diagram for the electrical/dimming option (PAGE 2). Ensure wiring is the correct voltage for the fixture – either 120V or 277V.
 - Wiring Diagram 1: 12D, 27D, (Triac, ELV or 0-10V). Triac and ELV dimming for 120V only. Note: When dimming with 0-10V, Class 1 wiring (300V wiring inside conduit) is required. Please consult factory for additional details.
 - Wiring Diagram 2: 12D3 (Lutron HiLume)
 - Wiring Diagram 3: 12D4, 27D4 (Lutron EcoSystem)
- Close junction box cover after wiring. Ensure all wires are safely within junction box before closing.

INSTALLING TRIMS

- Remove protective paint overspray cover from housing.
- Trim is held securely in housing with three friction springs. Simply push trim into housing until seated against ceiling.

REPLACEMENT OF LED DRIVER:

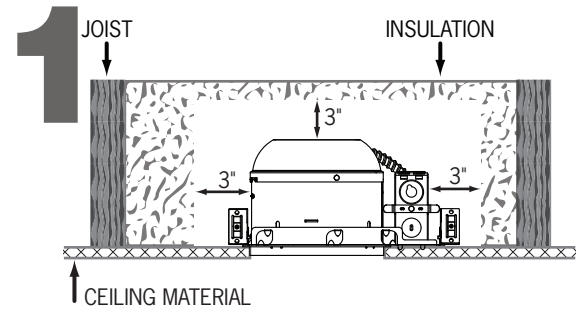
- NOTE:** LED Driver should be replaced by a qualified electrician. Turn off power at fuse or circuit breaker box before replacing the LED Driver.
- Remove housing from mounting frame by loosening the three screws holding it in place.
 - Driver may be mounted in junction box or on junction box cover. Remove the junction box cover(s) and remove LED Driver.
 - Disconnect LED Driver from line voltage input wiring in junction box. Disconnect the LED Driver from the LED leads.
 - Reinstall Factory Approved LED Driver by reversing above procedure.

IMPORTANT SAFETY INSTRUCTIONS:

- Read all the instructions before installation. Save instructions for later use.
- Turn off power at fuse or circuit breaker box before installation or before doing any maintenance work.
- Product must be grounded to avoid potential electric shock and any other potential hazards.
- Product must be mounted in locations and at heights and in a manner consistent with its intended use, and in compliance with National Electrical Code and local codes. Use of accessory equipment is not recommended.
- Installing contrary to instructions may cause unsafe conditions.
- Do not block light from the trim aperture, in whole or in part, as this may cause unsafe conditions.
- **Warning:** Risk of fire. Most dwellings built before 1985 have supply wire rated at 60°C. Consult a qualified electrician before installation.
- To avoid hazards to children, account for all parts and properly dispose of all packing materials.
- Call the Technical Support department at ConTech Lighting with any installation questions: 847.559.5500.

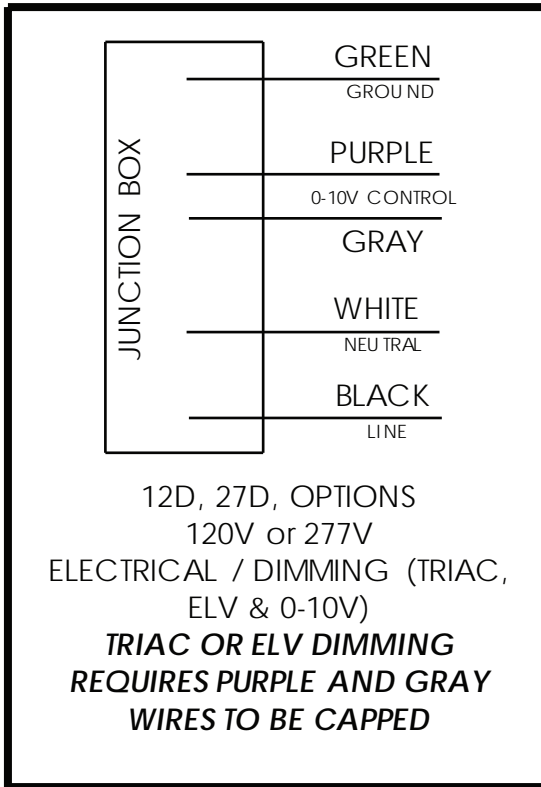
WARRANTY

- Energy Star products are covered for three (3) years by a full replacement guarantee after date of installation. In addition, ConTech LED products carry a five (5) year limited warranty from date of purchase.

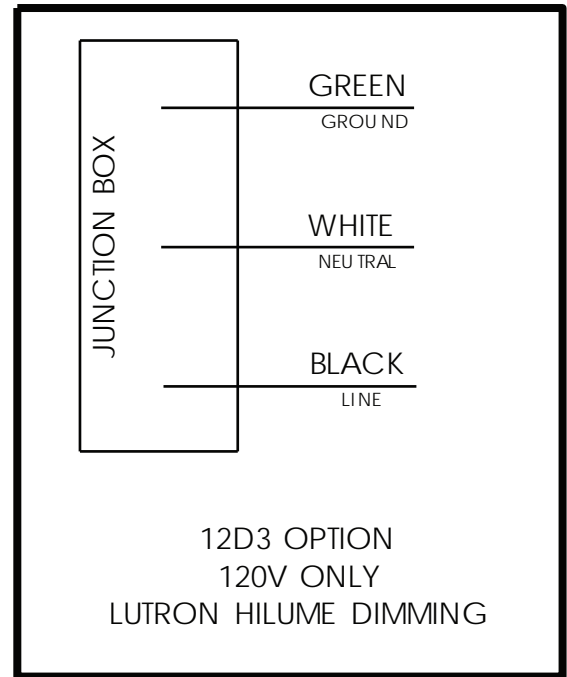


WIRING DIAGRAMS

WIRING DIAGRAM-1



WIRING DIAGRAM-2



WIRING DIAGRAM-3

