

SW Series

2' and 4' LED Surface Wrap Fixture with Integrated Sensor

Specifications/Features

Housing

Commercial grade 2' and 4' surface mount wrap Fixtures.
Integrated LED Strips delivering over 1000 lumens per foot.
Integrated Motion sensors for on/off control or dimming control.
Matte White finish with opaque white high impact acrylic lens.
Available in 2700K, 3000K, 3500K, and 4000K CCT with 83 CRI.

Lamp/Electrical

Light engine consists of multi-chip LED strips.
10 Watts per linear foot.
120-277V Integrated Driver.
Microwave sensor options.

Dimming Motion Sensor (DS Option):

Adjustable Detection Area: 10%, 50%, 75%, 100%
Hold Time: 5s, 30s, 90s, 3min, 20min, and 30min
Stand-by Period: 0s, 5s, 5min, 10min, 30min, 1hr, and infinite
Daylight Sensor: Disable or 6 levels from 0.2fc to 9fc
Dimming level: 10%, 20%, 30%, 50%

On/Off Motion Sensor (MS Option):

Adjustable Detection Area: 10%, 25%, 50%, 75%, 100%
Hold Time: 5s, 30s, 90s, 3min, 20min, and 30min
Daylight Sensor: Disable or 6 levels from 0.2fc to 9fc
Max Detection Zone: 50' x 50'

Mounting

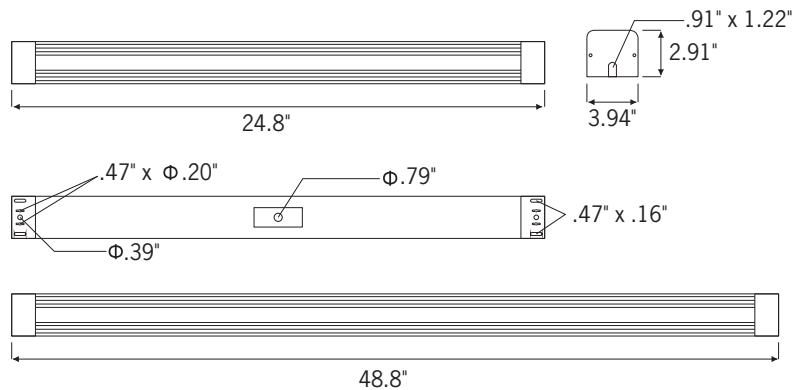
Surface mounting for ceiling or wall.
Includes mounting hardware.

Warranty

This complete fixture is covered by ConTech's full five (5) year replacement guarantee after date of purchase.

Listing

ETL Certified for use in the U.S. and Canada.
All models must be installed per specific product installation instruction and all appropriate National Electrical Codes.
Suitable for use in closets when installed in accordance with NFPA® 70, NEC® Section 410.16.



Ordering Information

Example Order: - -

Fixture	Length	Color Temp	Driver	Control Sensor	Finish
SW	2 - 2FT/24" 4 - 4FT/48"	27K - 2700K 30K - 3000K 35K - 3500K 40K - 4000K	MV - 120 - 277V	DS - Dimming Motion Sensor MS - On/Off Motion Sensor	P - White

SW Series

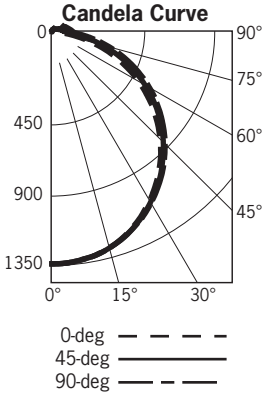
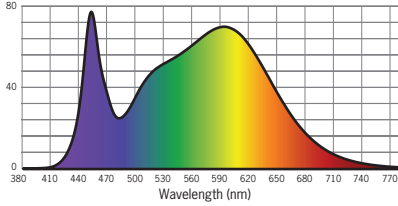
2' and 4' LED Surface Wrap Fixture with Integrated Sensor

Photometrics

SW440KMV

Designed for 50,000 Hour Lamp Life!; LM-63 Test No. 88383

Light Output (Fixture Delivered Lumens): 4094
Total Watts@120V: 41.0
Lumens Per Watt: 99.9
Color Rendering Index (CRI)²: 84
Color Temperature (CCT)³: 4173K
Spectral Power Distribution Chart⁴



	CANDELLA FROM 0	CANDELLA FROM 45	CANDELLA FROM 90	LUMENS
0	1327	1327	1327	
5	1321	1321	1321	126
15	1272	1274	1274	359
25	1170	1177	1181	541
35	1026	1043	1050	650
45	853	880	894	675
55	657	696	718	618
65	445	495	528	486
75	226	291	332	303
85	38	115	160	126
95	0	64	107	65

Beam Distribution: 110° x 116°
Spacing Criteria: 1.23 @ 0°

Intensity Distribution

DISTANCE (FT.)	FOOTCANDLES (FC)	BEAM DIAMETER (FT.)
6'	36.9	7.5
8'	20.7	9.9
10'	13.3	12.4
12'	9.22	14.9
14'	6.8	17.4
16'	5.2	19.9

1. Dependent on surrounding temperatures
 2. Accuracy of rendering colors
 3. Color appearance of light source
 4. Colors present within the light source