

# INSTALLATION INSTRUCTIONS | R6W Series Pull-Down Wall Lighter: New Construction Downlight

**Note:** Before attempting installation please refer to your local electrical code.

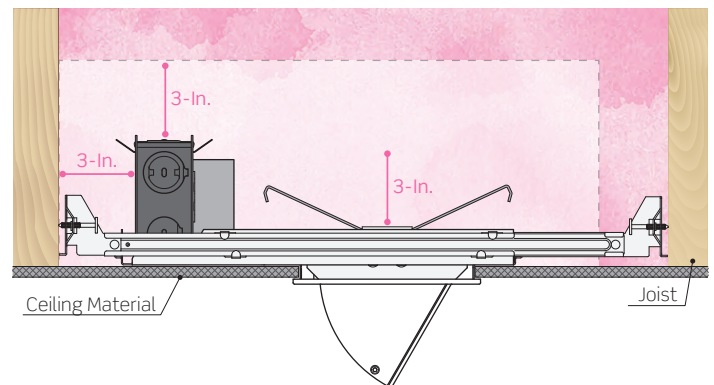
## IMPORTANT SAFETY INSTRUCTIONS:

- Read Instructions before installation; save Instructions for later use
  - Product should be installed by a Qualified Electrician
  - All electrical connections must be in accordance with local and National Electrical Code (NEC) standards; if you are unfamiliar with proper electrical wiring connections, obtain the services of a qualified electrician
  - Before starting the installation, disconnect the power by turning off the circuit breaker or by removing the appropriate fuse at the fuse box; turning the power off using the light switch is not sufficient to prevent electrical shock
  - Product must be grounded to avoid potential electric shock and any other potential hazards
  - Product must be mounted in locations and at heights and in a manner consistent with its intended use, and in compliance with National Electrical Code and local codes. Use of accessory equipment is not recommended.
  - Do not mount near gas or electric heaters
  - Equipment should be mounted in locations and at heights where it will not readily be subject to tampering by unauthorized personnel
- **WARNING: RISK OF SHOCK**
    - Turn off the power at fuse or circuit breaker box before installation or maintenance work
    - Wear rubber soled shoes and work on a sturdy wooden or non-conductive ladder
    - Ground the luminaire to avoid potential electric shocks and to ensure reliable starting
    - Double check all connections, making sure they are tight and correct
  - **WARNING: RISK OF FIRE**
    - Most dwellings built before 1985 have supply wire rated at 60°C
    - Supply conductors (power wires) connecting the fixture must be rated at minimum of 90°C
    - Consult a qualified electrician before installation
  - Installing contrary to instructions may cause unsafe conditions
  - If the product has any visible damage do not install it
  - Avoid hazards to children: account for all parts and properly dispose of all packing materials
  - Call the Technical Support department at ConTech Lighting with any installation questions: 847.559.5500

## INSTALLATION

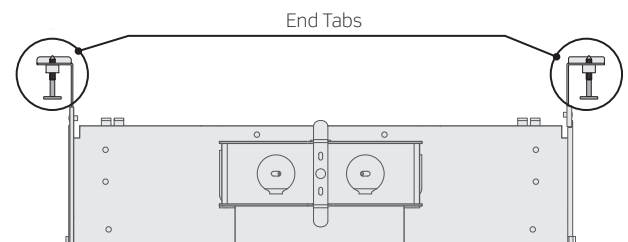
**FIGURE 1**

- **Housing can NOT be installed in direct contact with insulation**
- Do not install insulation within 3-inches of the luminaire sides, module or wiring compartment, nor above complete housing in such a manner to entrap heat



**FIGURE 2**

- Install Hanger Bars to fixture; ensure End Tabs are facing outward
- Extend Hanger Bars to fit between joists
- Position housing by hammering nail on bars into Joists
- Hangers should be level with bottom of the Joists
- Use T-Bar Slot in the bottom bars for suspended (T-Bar) ceilings, bending the tabs to hold T-Bar tightly
- Make all necessary electrical connections (See “Electrical Connection” page 2)



**CONTINUED**

# INSTALLATION INSTRUCTIONS | R6W Series Pull-Down Wall Lighter: New Construction Downlight

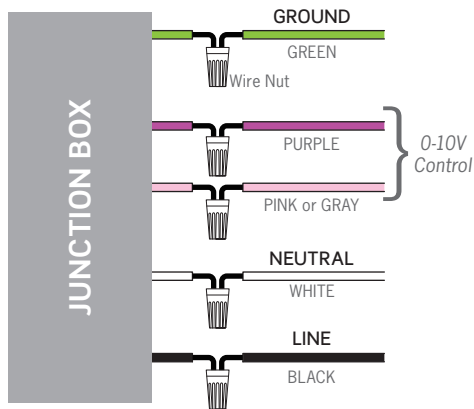
**Note:** Before attempting installation please refer to your local electrical code.

## ELECTRICAL CONNECTION

**Local electrical codes should be consulted to determine acceptable installation: Conduit, Romex or Flexible Metal Cable**

- Remove the Junction Box cover
- Follow the proper wiring diagram for the selected electrical/dimming option
- Ensure wiring is the correct voltage for the fixture – either 120V or 277V
- Close Junction Box cover after wiring; ensure all wires are safely within Junction Box before closing

**WIRING DIAGRAM 1**



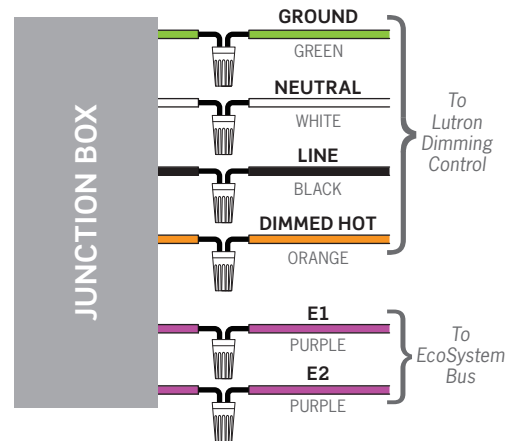
**DIMMING OPTIONS:** MVD, MVD2, MVD6, MVD8

**ELECTRICAL:** 120V or 277V

**DIMMING:** Forward Phase, Reverse Phase, and 0-10V

- Phase Dimming requires the Purple and Pink/Gray wires to be capped, 120V Only
- When dimming with 0-10V Class I wiring (300V wiring inside conduit) is required, consult factory for additional details

**WIRING DIAGRAM 2**

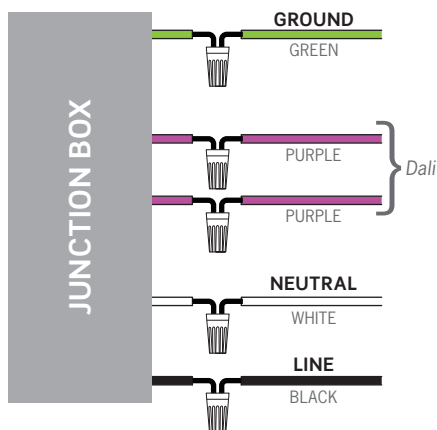


**DIMMING OPTIONS:** MVD4

**ELECTRICAL:** 120V or 277V

**DIMMING:** Lutron EcoSystem

**WIRING DIAGRAM 3**

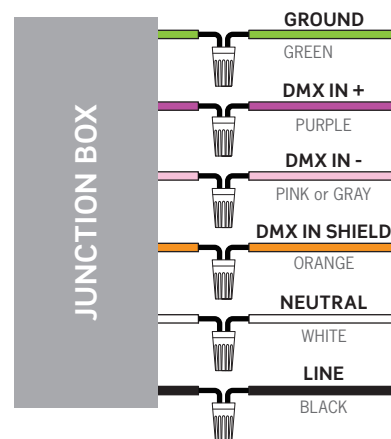


**DIMMING OPTIONS:** MVD7, MVD9

**ELECTRICAL:** 120V or 277V

**DIMMING:** Dali

**WIRING DIAGRAM 4**



**DIMMING OPTIONS:** MVDMX

**ELECTRICAL:** 120V or 277V

**DIMMING:** DMX

**CONTINUED**

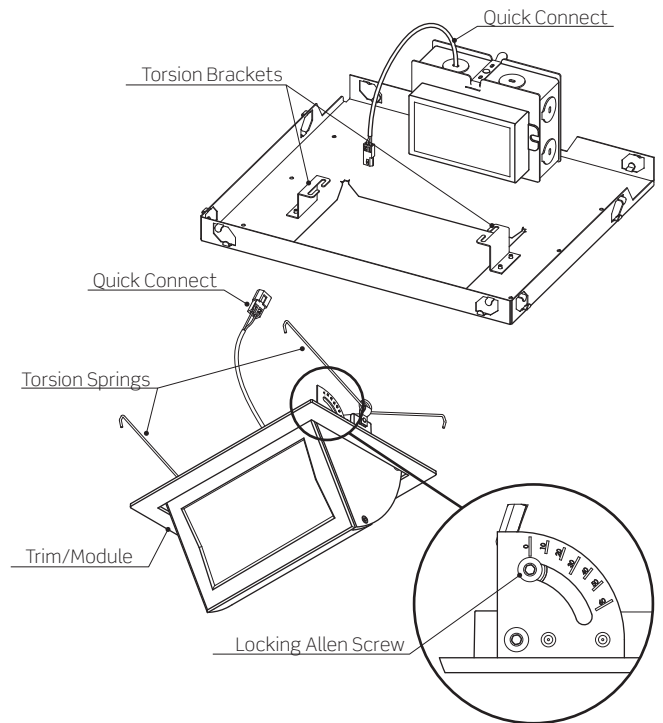
# INSTALLATION INSTRUCTIONS | R6W Series Pull-Down Wall Lighter: New Construction Downlight

**Note:** Before attempting installation please refer to your local electrical code.

## INSTALLATION CONTINUED

### FIGURE 3: PULL DOWN TRIM/MODULE INSTALLATION

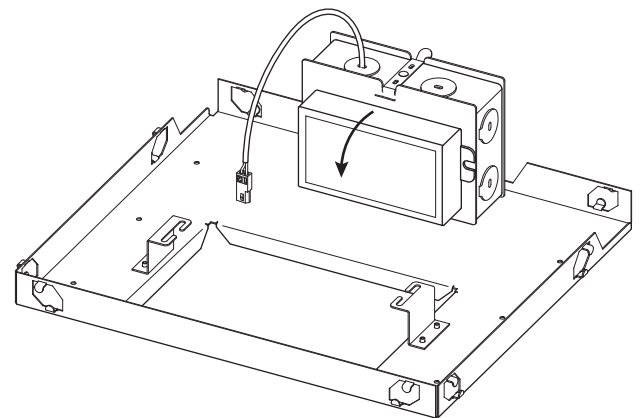
- Attach the wiring harness from the Housing to the wiring harness from the Trim/Module using the electrical Quick Connect
- The Trim/Module features graduations to ensure consistent alignment from fixture to fixture. To lock the the trim securely in the desired position, lock the Allen Screw in place with the supplied allen wrench.
- Squeeze the torsion springs together on the Trim/Module and insert them into the torsion brackets inside the housing; the torsion springs will securely seat the trim against the ceiling



### FIGURE 4: REPLACEMENT OF DRIVER

**NOTE:** Driver should be replaced by a qualified electrician  
Turn off the power at the fuse/circuit breaker box before replacing the Driver

- Pull the Trim from the Housing
- Disconnect the electrical Quick Connect
- Remove the Junction Box cover with the Driver attached to it by releasing retention spring on top of the Junction Box
- Disconnect the Driver from the line voltage input wiring in the Junction Box
- Disconnect the Driver from the Leads (Leads are terminated by Crimp Connectors)
- Reinstall factory approved Driver by reversing above procedure



**CONTINUED**