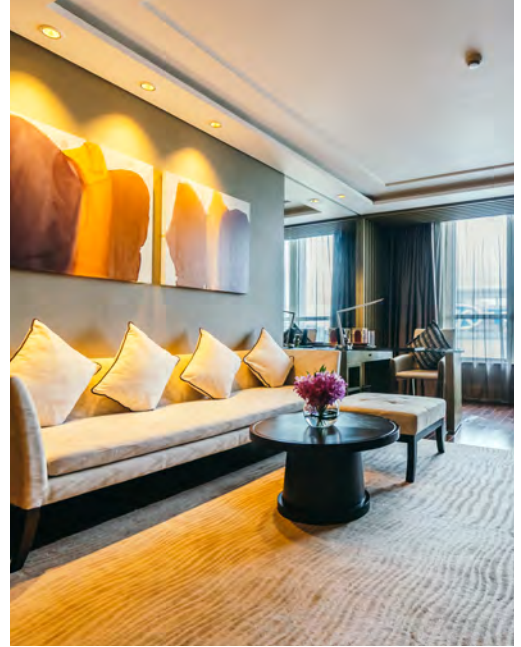


# wayFLEX

Adjustable Slim Downlights

## A Direct Mount, Fully Adjustable, Downlighting Solution



Requires only a 2-inch Plenum

120V TRIAC Dimming  
down to 10%

Five Color  
selectable CCT  
with 90+ CRI

IC-Rated Die-cast  
Aluminum Housing

Closed Cell  
Gasket included

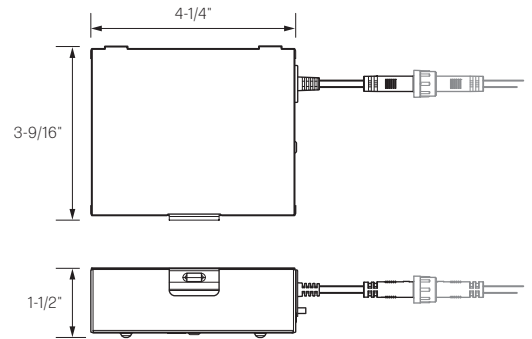
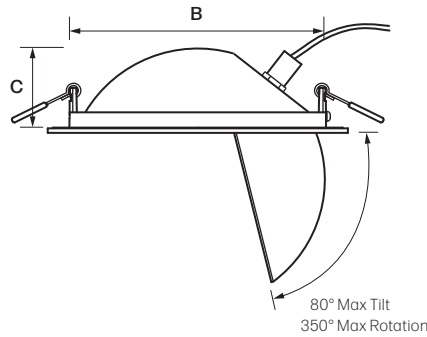
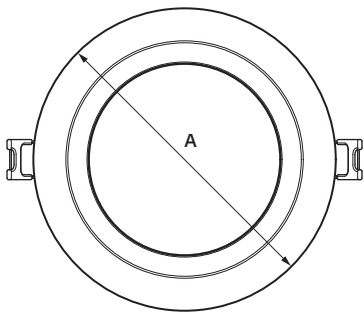
Does not require an  
existing Housing or  
Junction Box

Fully adjustable:  
up to 80° of tilt and  
350° of rotation

Polycarbonate Diffusion Lens

- 4- and 6- Inch Diameters
- Delivering between 800 and 1100 Lumens





	A	B	C
<b>WFAR4</b>	5-1/16"	4-1/4"	1-1/4"
<b>WFAR6</b>	7-1/4"	6-3/8"	1-7/8"

Recommended Ceiling Thickness: 1-1/2" Max.



## ORDERING INFORMATION

Example Order: WFAR4-SW5C12D-MW

<b>Housing</b>	<b>Color Temp/CRI</b>	<b>Driver/Dimming</b>	<b>Finish</b>
<b>WFAR4</b> 4-In. Adjustable Slim 12W / 800Lm  <b>WFAR6</b> 6-In. Adjustable Slim 15W / 1100Lm	<b>SW5C</b> 5-CCT Selectable / 90+ CRI 2700K / 3000K / 3500K / 4000K / 5000K	<b>12D</b> 120V TRIAC Dimming (Forward / Reverse Phase)	<b>MW</b> Matte White

Nominal lumen values based on 3000K performance

## ACCESSORIES

### New Construction Mounting Plate

**WFRPLU** Universal Fit New  
Construction Mounting Plate



### Driver / Junction Box Extension Cables

**WFEC6** 6 Ft Extension Cable  
**WFEC10** 10 Ft Extension Cable  
**WFEC20** 20 Ft Extension Cable



## COMPATIBLE DIMMERS

- Incandescent 120V AC Dimmers adjust the light with Forward Phase Control, where the Dimmer "chops" the forward part of the AC Wave to deliver less or more power to the light source. No Neutral Wire Connection required.
- Electronic Low Voltage 120V AC Dimmers adjust the light with Reverse Phase Control, where the Dimmer "chops" the back part of the AC Wave to deliver less or more power to the light source. Neutral Wire Connection required.

### NOTES

1. Testing has been performed on these Dimmers, but this does not imply any warranty of compatibility.
2. Dimming performance can be influenced by different Loads, as well as variations in Dimmer Switches within the same Model.
3. Dimmer Maximum Load Rating with LED may differ from published Traditional Source Dimmer Ratings; consult Dimmer Manufacturer for maximum Dimmer information.
4. Consult factory for additional dimming information.

**DIMMING TYPE:** TRIAC (Forward/Reverse Phase)

**TYPICAL DIMMING RANGE:** 10% to 100%

Supplier	Series	Model No.
Leviton	SureSlide	6674
Leviton	IllumaTech	IPL06, IPE04
Leviton	Decora Digital	DDL06-1L, DDL06-BL, DDM06, DDMX1
Leviton	Decora Slide	DSE06, DSM10, DSL06
Leviton	Decora Smart Wi-Fi	D26HD, DN6HD, D2MSD, DWVAA
Leviton	Trimatron Rotary	RDL06, RNL06
Leviton	Toggle Slide	TSL06, TSM10
Lutron	Diva	DVCL-153PR-WH
Lutron	Skylark	CTCL-153PDH-WH, SLV-600P-WH
Lutron	Toggler	TGCL-153PH-WH
Lutron	Maestro	MACL-153MH-WH
Lutron	Caseta	P-PKG1W-WH-R
Eaton	Eaton Slide	SAL06P-W