



CYLINDER LUMINAIRE FAMILY





Platform of flat-back cylinder luminaires designed to provide uniformity in form and function

- Sleek design with superior performance
- Multiple mounting styles for any application
- Wide range of wattage/lumen outputs, luminaire sizes, and beam distributions
- Specification grade performance TIR Optics
- Field interchangeable Optics within each fixture size to allow for changing environments



Mounts to a standard recessed junction box for downlighting applications; ideal for open floor plans



Precision aiming adjustment: 315° horizontal rotation and 90° vertical tilt; perfect for accent lighting



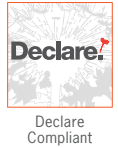
Includes 48" of Field Adjustable Cable; impeccable over tables, bars, desks and islands



Versatile and flexible; excellent for highlighting merchandise in retail applications

AT A GLANCE

| | CTL9050 | CTL9051 | CTL9052 | CTL9053 | CTL9054 |
|---------------------------|---|---------|---------|---------|---------|
| WATTAGE | 7W | 9W | 14W | 20W | 34W |
| LUMEN OUTPUT ¹ | 651Lm | 1021Lm | 1462Lm | 2123Lm | 3441Lm |
| DIMMING TYPE | Incandescent (Forward Phase) and ELV (Reverse Phase) Compatible | | | | |



1. Lumen values are approximate, see photometric test results

- Constructed of extruded and machined aluminum
- Heatsink and Integrated Driver Housing for a sleek modern look
- Single, high lumen output multi-chip LED array, available in 2700K, 3000K, 3500K and 4000K CCT; 90+ CRI
- Engineered TIR Optics provide a smooth uniform beam, maximizing output and minimizing glare
- cETLus Certified to UL standards on base models
- Suitable for dry locations
- Can be used to comply with Title 24 Part 6 JA8 High Efficacy LED Light Source Requirements
- DLC Listed
- Declare Compliant
- Fixtures are covered by ConTech's full five (5) year replacement guarantee after date of purchase



CEILING MOUNT

FLEXIBLE CABLE

MONO-POINT

TRACK MOUNT

ORDERING INFORMATION

| System | Wattage/Lumens | Mounting | Beam | Color Temp | Dimming Option | Finish |
|---|--|--|--------------------------------|---|---|-------------------|
| CTL ² - ConTech | 9050 - 7W/651Lm | - Leave Blank for Track Mount Luminaires CM - Ceiling Mount FC* - Flexible Cable MP - Mono-Point | S ⁶ - Spot | 90+ CRI | D - Dimming Incandescent (Forward Phase) and ELV (Reverse Phase) Compatible | B - Black |
| HTL ⁴ - Halo | 9051 - 9W/1021Lm | | M ⁷ - Medium | 27C - 2700K | | P - White |
| LTL ⁵ - Lightolier | 9052 - 14W/1462Lm | | F - Flood | 3C - 3000K | | S - Silver |
| NCTL - Nordic Tek <i>Fixture includes 120V 2C/2N Adapter</i> | 9053 - 20W/2123Lm 9054 - 34W/3441Lm | | WF - Wide Flood | 35C - 3500K 4C - 4000K | | |

* Consult factory for longer cable drops, up to 96" (8 ft) maximum

Black Flex Cable luminaire provided with Black Fabric Cord, White luminaire with White Fabric Cord and Silver luminaire with Gray Fabric Cord

For Luminaire Accessories (Snoots, Barn Doors, Lenses and Louvers), Accessory Holders and Replacement Optics, see Product Specification Sheets

2. Standard ConTech track luminaires (CTL Units) are cCSAus certified as-is for use with ConTech Lighting LT/LT2 Single Circuit/Two Circuit Track Systems and Luxbeam Track Systems, as well as Juno^{®3} Lighting Trac-Master™ Systems.

By changing the prefix in the part number, ConTech can install inserts to make fixtures compatible with other manufacturers.

For more information, please consult factory.

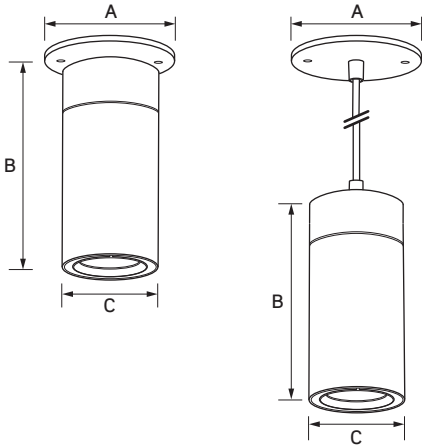
3. Juno is a registered trademark of Juno Lighting

4. Halo is a registered trademark of Cooper Lighting

5. Lightolier is a registered trademark of Signify

6. Spot Beam available only for CTL9050 Series

7. Medium Beam not available for CTL9050 Series



CEILING MOUNT

| MODEL | A | B | C |
|---------------------|--------|--------|----------|
| CTL9050 | 4-3/4" | 4-3/4" | 2-3/8" |
| CTL9051/ CTL9052 | 4-3/4" | 5-1/4" | 2-3/4" |
| CTL9053 | 4-3/4" | 6-1/8" | 3-3/16" |
| CTL9059/ CTL9054 | 4-3/4" | 6-7/8" | 3-15/16" |

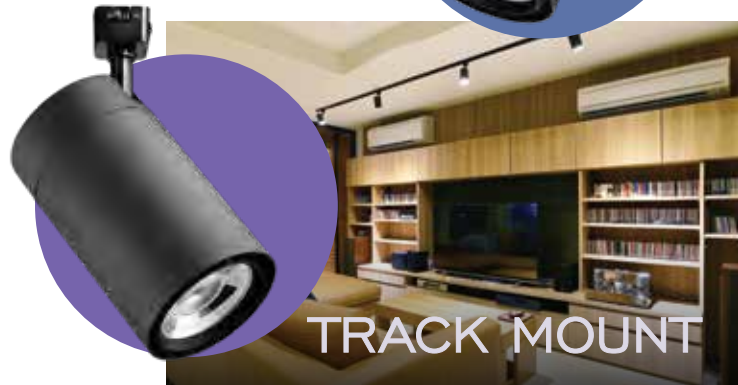
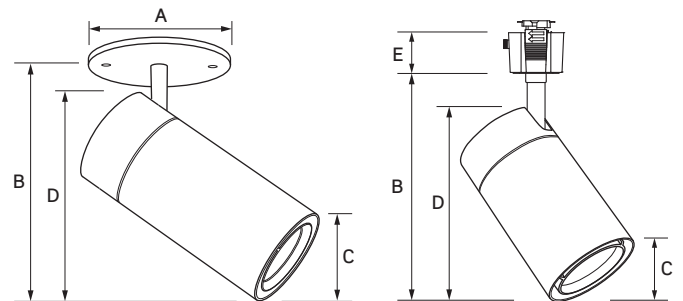


FLEXIBLE CABLE

48" Field Adjustable Cable Standard



MONO-POINT



TRACK MOUNT

| MODEL | A | B Min to Max | C | D | E |
|---------------------|--------|--------------------|----------|--------|----|
| CTL9050 | 4-3/4" | 3-11/32" to 5-1/8" | 2-3/8" | 4-3/4" | 1" |
| CTL9051/ CTL9052 | 4-3/4" | 3-3/4" to 5-3/4" | 2-3/4" | 5-1/4" | 1" |
| CTL9053 | 4-3/4" | 4-1/2" to 6-13/16" | 3-3/16" | 6-1/8" | 1" |
| CTL9059/ CTL9054 | 4-3/4" | 5" to 7-7/8" | 3-15/16" | 6-7/8" | 1" |