

INSTALLATION INSTRUCTIONS | CTL905 Series Eclipse Curve Accessories

Note: Before attempting installation please refer to your local electrical code

IMPORTANT SAFETY INSTRUCTIONS

Installation, inspection and maintenance of this luminaire must be carried out by a qualified electrician.

Read all the instructions before installation. Save instructions for later use.

When installing or using this luminaire, all basic safety precautions, warnings, restrictions and recommendations must be followed, including the following:

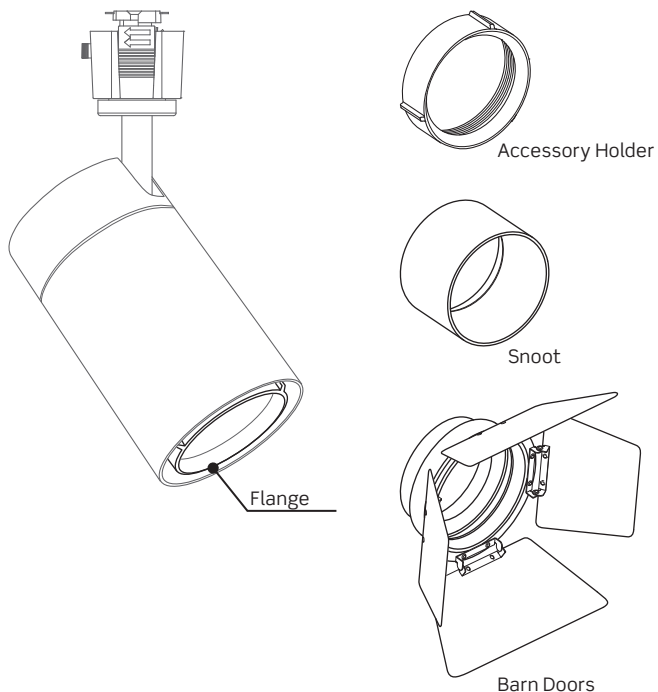
- Turn off power at fuse or circuit breaker box before installation and before performing any maintenance work
- Product must be grounded to avoid potential electric shock and any other potential hazards
- Wear rubber soled shoes, proper safety glasses and gloves, and work on a sturdy wooden or non-conductive ladder
- Product must be mounted in locations and at heights in compliance with the NEC and all local building codes
- Installing contrary to instructions may cause unsafe conditions
- For indoor use only, suitable for damp locations
- Do not exceed the nominal supply voltage or amperage ratings
- Do not install any luminaire assembly closer than 6-inches from any curtains or combustible materials
- Do not mount near gas or electric heaters
- Do not block the light from the luminaire, in whole or in part, as this may cause unsafe conditions
- Make sure the supply voltage is the same as the rated luminaire voltage
- Do not operate in ambient temperatures above those specified for the luminaire
- Avoid direct eye contact with the light source
- Always support the weight of the luminaire
- Use correctly rated supply conductors as indicated by the luminaire labeling
- Equipment should be mounted in location and at heights where it will not readily be subject to tampering by unauthorized personnel
- To avoid hazards to children, account for all parts and properly dispose of all packing materials
- **WARNING**
Risk of fire; most dwellings built before 1985 have supply wire rated at 60°C. Consult a qualified electrician before installation.
- Call the Technical Support Department at ConTech Lighting with any installation questions: 847.559.5500

ACCESSORY INSTALLATION FOR CTL905 ECLIPSE CURVE LUMINAIRES

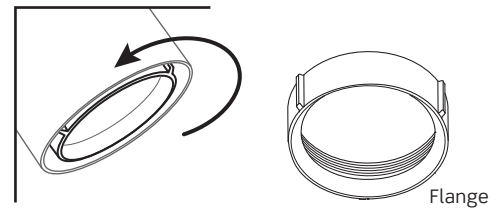
The CTL905 Series Luminaires may hold one (1) of the following Accessories that replaces the Flange on the Luminaire:

- FA-91 Series Accessory Holder
- FA-92 Series Snoot
- BD-9 Series Barn Door

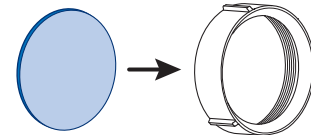
In addition, each Accessory above can hold one (1) piece of media: Tempered Glass Filter or Lens or Honeycomb Louver



1 Remove the Flange from the Luminaire Housing by unscrewing it counter-clockwise. The Flange holds the Optic and any Spacers in place and will be replaced by the chosen Accessory. Set Flange aside and save for any future need.



2 If using a Lens, Filter, or Honeycomb Louver, place that within the Accessory prior to installing into the Luminaire



3 Position the Optic and any Spacers back within the Luminaire housing properly, then screw the chosen Accessory clock-wise until slightly snug. Ensure that the Optic and any optional Media piece are securely in place before installing the Luminaire.

