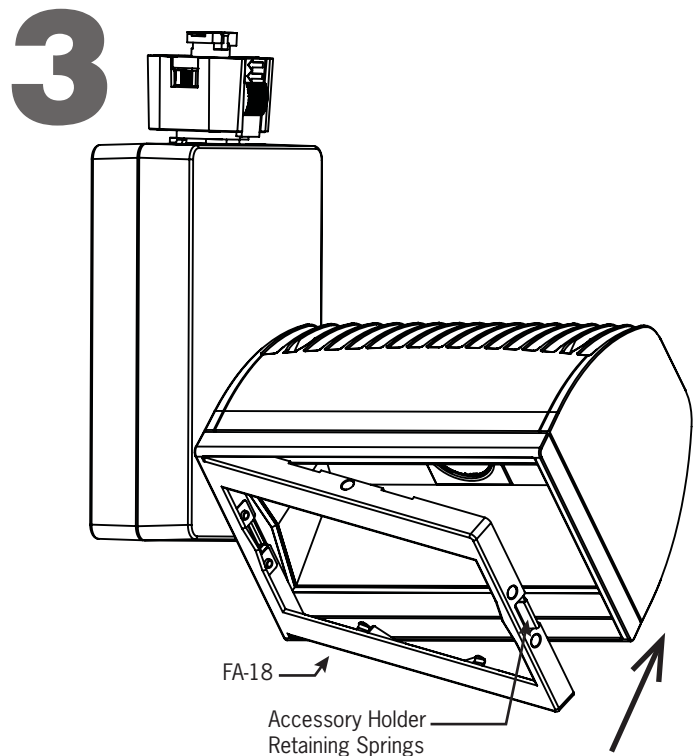
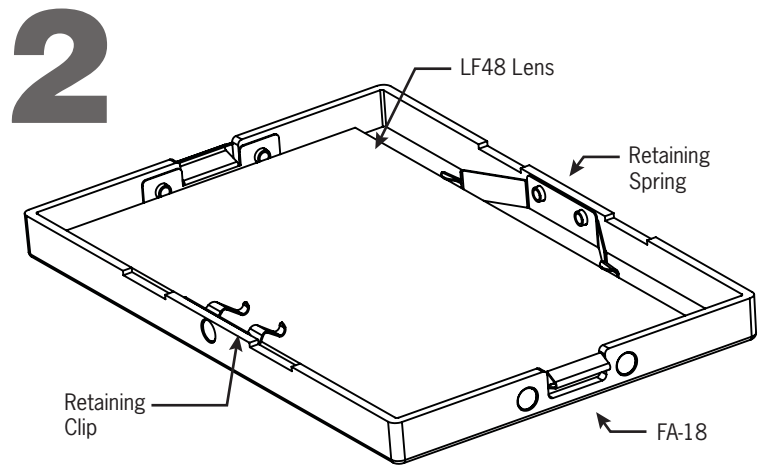
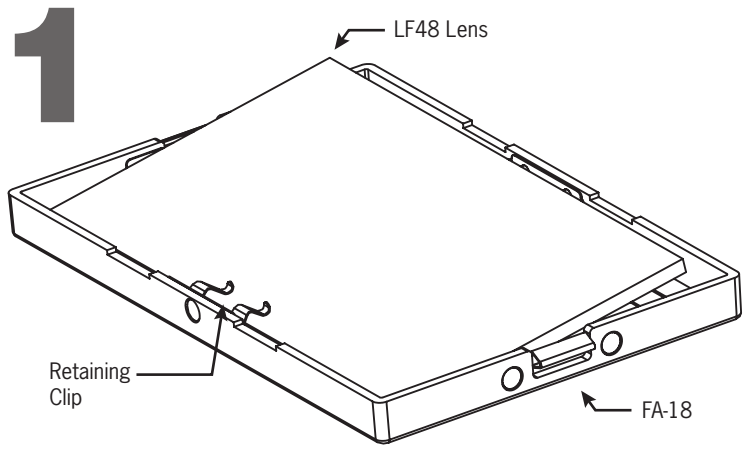


**INSTALLATION INSTRUCTIONS**

1. Insert LF48 lens / media into FA-18 Accessory Holder by placing edge of lens under retaining clip as shown (FIG 1). Spread retaining spring outward and place lens in final position as shown (FIG 2).
2. Assemble FA-18 Accessory Holder to Stealth LED fixture by placing one side into position as shown (FIG 3) and pushing the other side of the FA-18 into position until accessory holder retaining spring is securely engaged with the bezel.

**IMPORTANT SAFETY INSTRUCTIONS:**

- Read all the instructions before installation. Save instructions for later use.
- Before starting the installation, disconnect the power by turning off the circuit breaker or by removing the appropriate fuse at the fuse box. Turning the power off using the light switch is not sufficient to prevent electrical shock.
- Product must be grounded to avoid potential electric shock and any other potential hazards.
- Product must be mounted in locations and at heights and in a manner consistent with its intended use, and in compliance with National Electrical Code and local codes. Use of accessory equipment is not recommended.
- Installing contrary to instructions may cause unsafe conditions.
- Do not block light from the trim aperture, in whole or in part, as this may cause unsafe conditions. Do not mount near gas or electric heaters.
- Use caution when servicing batteries. Battery acid can cause burns to skin and eyes. If acid is spilled on skin or in eyes, flush with fresh water and contact a physician immediately.
- Equipment should be mounted in location and at heights where it will not readily be subject to tampering by unauthorized personnel.
- **Warning:** Risk of fire. Most dwellings built before 1985 have supply wire rated at 60°C. Supply conductors (power wires) connecting the fixture must be rated at minimum of 90°C. Consult a qualified electrician before installation.
- To avoid hazards to children, account for all parts and properly dispose of all packing materials.
- Call the Technical Support department at ConTech Lighting with any installation questions: 847.559.5500.



## INSTALLATION PROCEDURES

### FOR SINGLE CIRCUIT TRACK

All track sections have an easy-to-see, embossed polarity line (Figure 1)  
Fixtures have indicator arrows designed to point to the track polarity line (Figure 2)  
To install:

1. Insert the fixture contacts into the track channel
2. Retract the track latch by gently pulling down
3. Rotate the adapter 90° so that the polarity arrow points to the polarity line on the track (Figure 3)

When the fixture is installed, the track latch will lock the fixture into the track

**NOTE:** All latches should face the same direction after installation

Once fixture is installed into the track, move the ON/OFF switch to the "ON" position

### FOR TWO-CIRCUIT TRACK

Fixtures have two contacts in the connector that engage conductors within the track; one for neutral and the other for the positive (live) conductor. Two circuit tracks contain one neutral and two positive conductors.

**To engage the second live conductor (Figure 4):**

1. Identify the "POSITIVE" connections on the lighting fixture base, marked "P".
2. To access the second circuit, pull up the connector marked "P" to the position shown.
3. Slide the plastic shim (shipped with track) beneath the connector, locking the tabs in place.

**To install the track fixture onto Two-Circuit Track:**

All track sections have an easy-to-see, embossed polarity line (Figure 1)  
Fixtures have indicator arrows designed to point to the track polarity line (Figure 2)  
To install:

1. Insert the fixture contacts into the track channel
2. Retract the track latch by gently pulling down
3. Rotate adapter 90° so that the polarity arrow points to the polarity line on the track (Figure 3)

When the fixture is installed, the track latch will lock the fixture into the track

**NOTE:** All latches should face the same direction after installation

Once fixture is installed into the track, move the ON/OFF switch to the "ON" position

### DRIVER REPLACEMENT

1. Open housing using Phillips screwdriver
2. Disconnect input and output wiring from existing driver
3. Connect input and output wiring to new driver
4. Close and secure fixture housing

### IMPORTANT SAFETY INSTRUCTIONS:

- Read all the instructions before installation. Save instructions for later use.
- Turn off power at fuse or circuit breaker box before installation or any maintenance work.
- Wear rubber soled shoes and work on a sturdy wooden or non-conductive ladder.
- Product must be mounted in locations and at heights in compliance with National Electrical Code and local building codes. For indoor use only.
- Do not exceed the nominal supply voltage or amperage ratings.
- Installing contrary to instructions may cause unsafe conditions.
- **Warning:** Risk of fire. Most dwellings built before 1985 have supply wire rated at 60°C. Consult a qualified electrician before installation.
- Avoid hazards to children, account for all parts and properly dispose of all packing materials.
- Call the Technical Support department at ConTech Lighting with any installation questions: 847.559.5500.

### WARRANTY

Energy Star products are covered for three (3) years by a full replacement guarantee after date of installation.

In addition, ConTech LED products carry a five (5) year limited warranty from date of purchase.

