

INSTALLATION INSTRUCTIONS | Eclipse Linear Track Luminaires: CTL21 Series

Note: Before attempting installation please refer to your local electrical code.

IMPORTANT SAFETY INSTRUCTIONS:

Installation should be carried out by a qualified electrician.

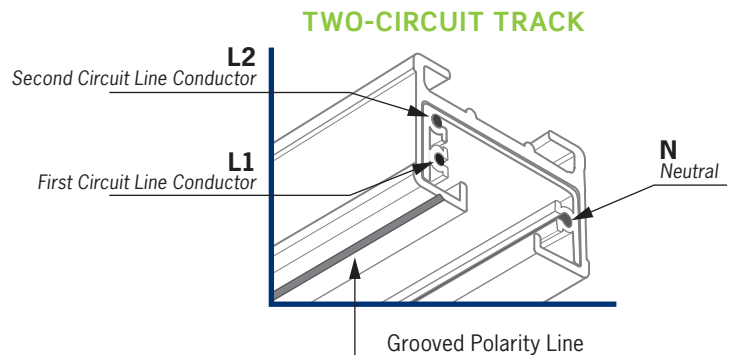
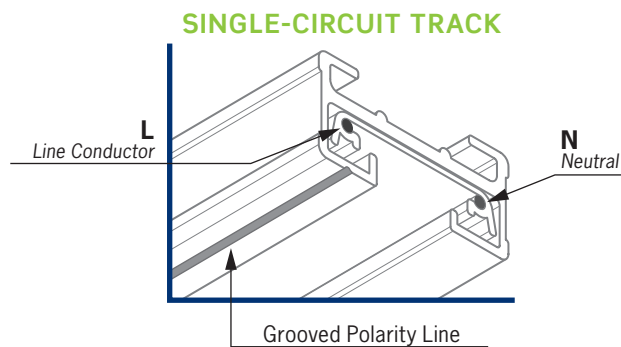
Read all the instructions before installation. **SAVE THESE INSTRUCTIONS FOR LATER USE.**

When installing or using this luminaire, basic safety precautions should always be followed, including the following:

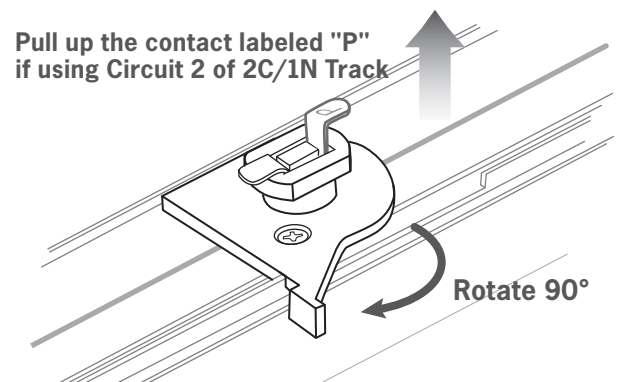
- Turn off power at fuse or circuit breaker box before installation or any maintenance work
- Product must be grounded to avoid potential electric shock and any other potential hazards
- Wear rubber soled shoes and work on a sturdy wooden or non-conductive ladder
- Product must be mounted in locations and at heights consistent with its intended use and in compliance with the National Electrical Code (NEC) and local building codes
- Installing contrary to instructions may cause unsafe conditions
- For indoor use only; do not install in damp or wet locations
- Do not connect track to more than one branch circuit
- Do not install any luminaire assembly closer than 6 inches from any curtain, or similar combustible material
- Do not attempt to energize anything other than lighting track luminaires on the track
- Do not exceed the normal supply voltage or ampere ratings
- Do not mount near gas or electric heaters
- Equipment should be mounted in location and at heights where it will not readily be subject to tampering by unauthorized personnel.
- To avoid hazards to children, account for all parts and properly dispose of all packing materials
- **WARNING:** Risk of fire. Most dwellings built before 1985 have supply wire rated at 60°C. Consult a qualified electrician before installation
- **CAUTION/ATTENTION:**
CTL Prefixed Fixtures:
To reduce the risk of fire and electric shock, use only with ConTech LT, LT2 Series or Juno R, T, TU Series Track Systems.
Pour réduire les risques d'incendie et de choc électrique, utiliser uniquement avec ConTech LT, LT2 Séries ou Juno R, T, TU Séries Systèmes de piste.
- Call the Technical Support Department at ConTech Lighting with any installation questions: 847.559.5500

INSTALLATION FOR SINGLE- AND TWO-CIRCUIT TRACK

- All track sections have an easy-to-see grooved polarity line
- Make sure to use the appropriate track system as cautioned in the above safety instructions.



1. Locate the track adaptor and rotate the swivel arm 90° away from the luminaire
2. The luminaire adapter has two (2) contacts that engage the conductors within the Track: one for NEUTRAL and one for LINE
 - To power with Single-Circuit Track or Line 1 of Two-Circuit Track, the LINE contact (embossed with the letter "P") of the adaptor must be in the down position
 - To power with Line 2 of Two-Circuit Track, the LINE contact (embossed with the letter "P") of the adaptor must be pulled up



INSTALLATION INSTRUCTIONS | Eclipse Linear Track Luminaires: CTL21 Series

Note: Before attempting installation please refer to your local electrical code.

INSTALLATION FOR SINGLE- AND TWO-CIRCUIT TRACK, CONTINUED

3. To mount onto track, orient the luminaire so the arrows, on the top, point in the direction of the polarity line on the track
4. Insert the track adaptor into the track channel, making sure the two (2) mounting clips of the luminaire are positioned in the track channel as well
5. Press upward and hold the luminaire against the track; rotate the swivel arm of the adaptor 90° towards the track until it is completely flush with luminaire and locked
6. Once the luminaire is installed into the track and fully secured, the power can then be applied

