

## INSTALLATION INSTRUCTIONS | Gallery XL Track Luminaire: CTL94

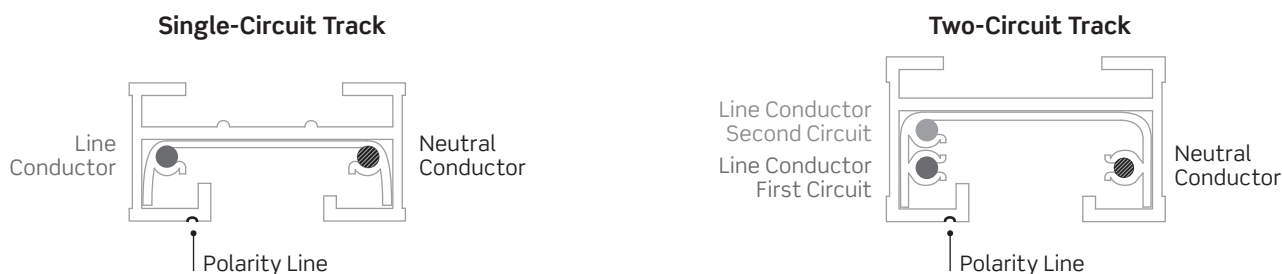
**Note:** Before attempting installation please refer to your local electrical code.

### IMPORTANT SAFETY INSTRUCTIONS:

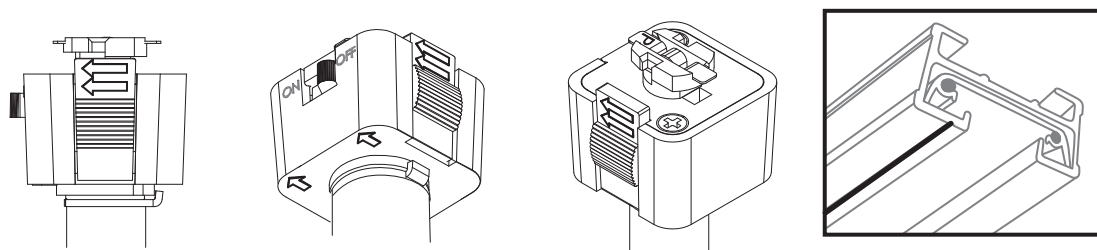
- Read Instructions before installation; save Instructions for later use.
- Product should be installed by a Qualified Electrician.
- All electrical connections must be in accordance with local and National Electrical Code (NEC) standards. If you are unfamiliar with proper electrical wiring connections, obtain the services of a qualified electrician.
- Before starting the installation, disconnect the power by turning off the circuit breaker or by removing the appropriate fuse at the fuse box. Turning the power off using the light switch is not sufficient to prevent electrical shock.
- Product must be grounded to avoid potential electric shock and any other potential hazards.
- Product must be mounted in locations and at heights and in a manner consistent with its intended use, and in compliance with National Electrical Code and local codes. Use of accessory equipment is not recommended.
- Do not mount near gas or electric heaters.
- Equipment should be mounted in locations and at heights where it will not readily be subject to tampering by unauthorized personnel.
- **WARNING: RISK OF SHOCK**
  - Turn off the power at fuse or circuit breaker box before installation or maintenance work.
  - Wear rubber soled shoes and work on a sturdy wooden or non-conductive ladder.
  - Ground the fixture to avoid potential electric shocks and to ensure reliable starting.
  - Double check all connections, making sure they are tight and correct.
- **WARNING: RISK OF FIRE**
  - Most dwellings built before 1985 have supply wire rated at 60°C
  - Supply conductors (power wires) connecting the fixture must be rated at minimum of 90°C
  - Consult a qualified electrician before installation
- Installing contrary to instructions may cause unsafe conditions.
- If the product has any visible damage do not install it.
- Avoid hazards to children: account for all parts and properly dispose of all packing materials.
- Call the Technical Support department at ConTech Lighting with any installation questions: 847.559.5500.

### INSTALLATION

All ConTech Single- and Two-Circuit Track Sections have an easy-to-see, embossed/grooved Polarity Line



To ensure proper installation, all ConTech luminaire Track Adapters have indicator arrows, both on the Track Latch and the bottom of the adapter, that will point to the Track Polarity Line when installed



CONTINUED

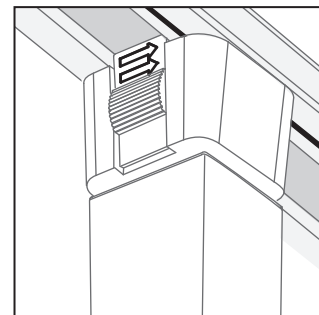
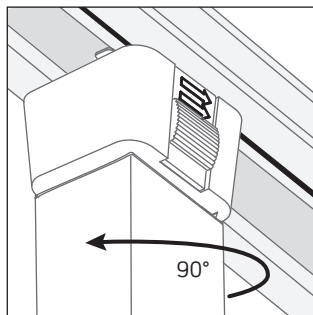
## INSTALLATION INSTRUCTIONS | Gallery XL Track Luminaire: CTL94

**Note:** Before attempting installation please refer to your local electrical code.

### INSTALLATION

#### SINGLE-CIRCUIT TRACK

- Insert the luminaire track adapter contacts into the track channel
- Retract the track latch by gently pulling down
- Rotate the adapter 90° so that the polarity arrows point to the polarity line on the track
- When the luminaire is installed, the track latch will lock the luminaire into the track
- **NOTE:** ALL LATCHES SHOULD FACE THE SAME DIRECTION AFTER INSTALLATION
- Once the luminaire is installed into the track, move the ON/OFF switch to the ON position



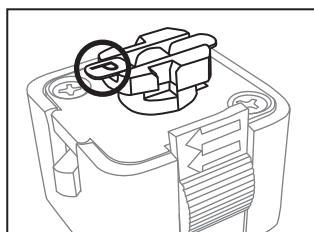
Installed Luminaire

#### TWO-CIRCUIT TRACK

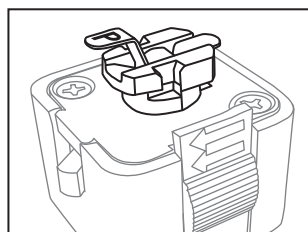
All ConTech Track Luminaires have two (2) contacts in the adapter base that engage the conductors within the track; one (1) for neutral and one (1) for the positive (live) conductor.

Two circuit tracks contain one (1) neutral and two (2) positive conductors.

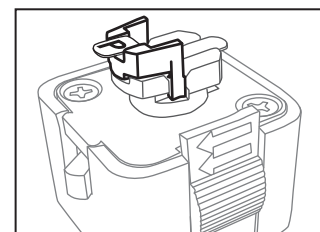
To engage the second live conductor:



Identify the "POSITIVE" connector on the luminaire track adapter, marked "P"



To access the second circuit, pull up the connector marked "P" to the position shown



Slide the plastic shim (shipped with track pieces) beneath the connector, which will lock the tabs in place

To install the luminaire onto the track, refer to Single-Circuit Track instructions above

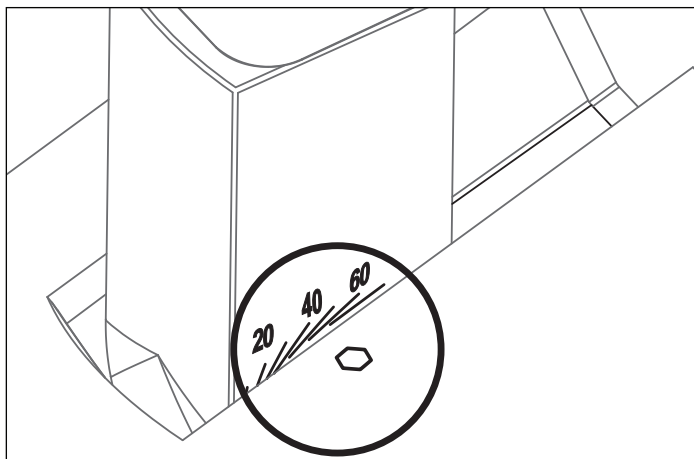
**CONTINUED**

## INSTALLATION INSTRUCTIONS | Gallery XL Track Luminaire: CTL94

**Note:** Before attempting installation please refer to your local electrical code.

### AIMING AND LOCKING TRACK HEAD POSITION

One side of the CTL94 Luminaire arm has angle indicators to assist with consistent aiming

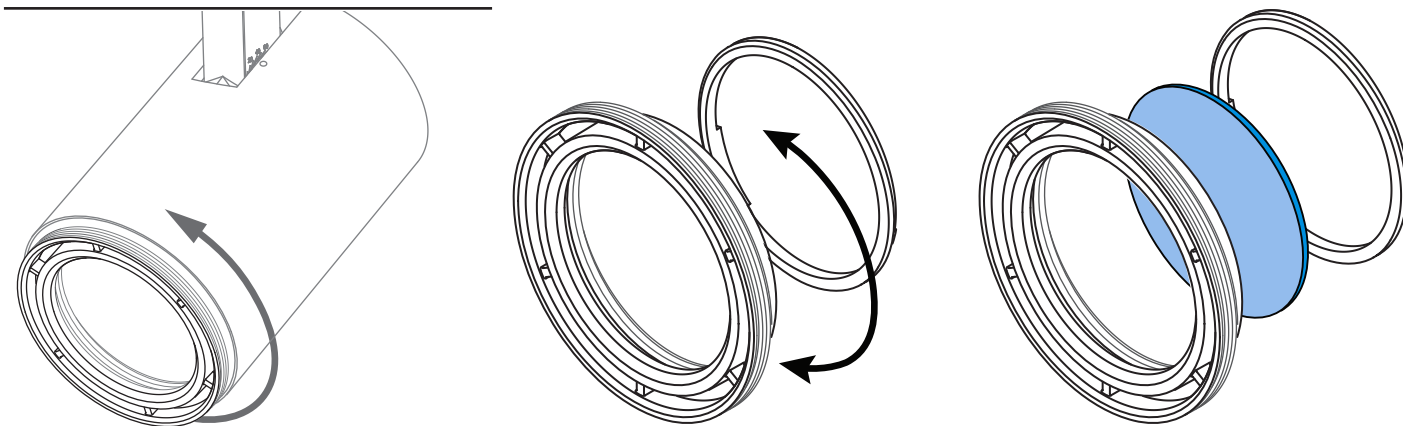


Use a 1.5mm Hex Key to lock the tilt angle into the desired aiming position. The set screw is located next to the arm in the body of the luminaire.

### MEDIA INSTALLATION:

The Gallery XL Track Luminaire can accept up to two (2) pieces of media: LF20 Lenses/Filters, LA-45 Honeycomb Louver, FA-94 Snoot or BD94-B Black Barn Doors. Snoot or Barn Door count as one (1) piece of media.

#### LF20 and/or LA-45: Tempered Glass Lenses and/or Honeycomb Louver



**1.** Remove Bezel from the Luminaire Housing by twisting counterclockwise

**2.** Remove the Inner Media Holder Ring from the backside of the Bezel, twisting counterclockwise

**3.** Insert desired media into the Bezel, re-installing the Inner Media Holder to secure

**NOTE:** Do not over-tighten the Inner Media Holder if using media that requires orientation (ie. Linear Spread Lens). Alignment may be adjusted after installation is complete.

**4.** Reinstall the bezel into the housing by twisting clockwise until fully seated

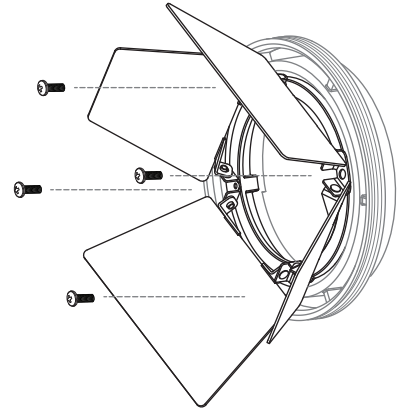
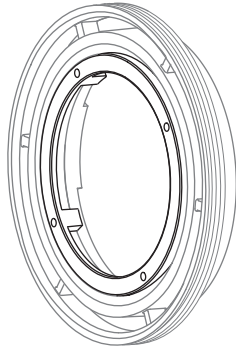
## INSTALLATION INSTRUCTIONS | Gallery XL Track Luminaire: CTL94

**Note:** Before attempting installation please refer to your local electrical code.

### MEDIA INSTALLATION:

The Gallery XL Track Luminaire can accept up to two (2) pieces of media: LF20 Lenses/Filters, LA-45 Honeycomb Louver, FA-94 Snoot or BD94-B Black Barn Doors. Snoot or Barn Door count as one (1) piece of media.

#### BD94: Barn Doors



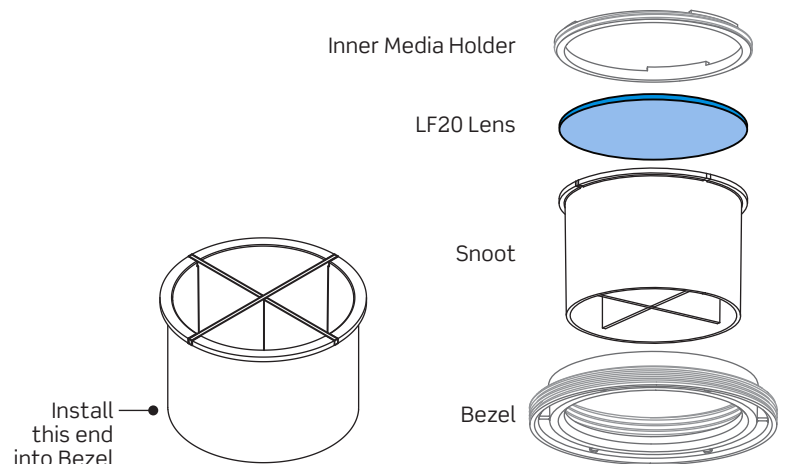
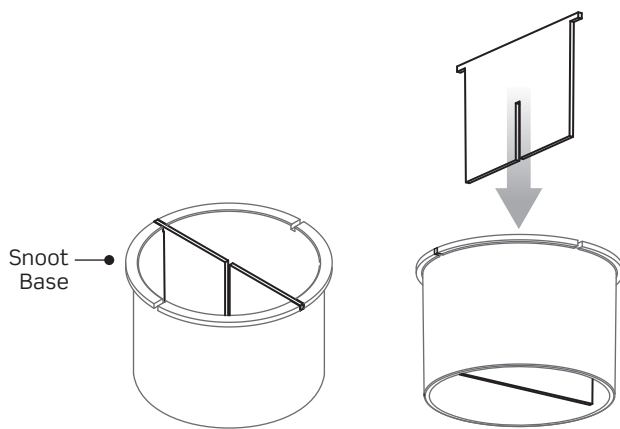
1. Remove Bezel from the Luminaire Housing by twisting counter-clockwise
2. Remove the Inner Media Holder Ring from the backside of the Bezel, twisting counterclockwise
3. Insert the Barn Door Base into the Bezel, re-installing the Inner Media Holder to secure the Base

**NOTE:** Do not over-tighten the Inner Media Holder as alignment of the Barn Doors may be adjusted after installation is complete

4. Reinstall the bezel into the housing by twisting clockwise until fully seated
5. Attach the Barn Door Assembly to the Barn Door base, utilizing the four (4) screws provided

**NOTE:** This must be completed AFTER the Barn Door Base is installed in the Bezel

#### FA-94: Snoot with Optional Cross Blades



Optional Cross Blades may be installed or retained for future use.

1. If using the Cross Blades, before installing the Snoot into the Bezel, install the Cross Blade with the upper notch into the Snoot, aligning the exterior tabs with the cutouts on the Snoot Flange
2. Install the second Cross Blade, careful to align the notches and exterior tabs with the cutouts in the Snoot Flange

3. Install the entire Snoot with or without Cross Blade Assembly into the Bezel, re-installing the Inner Media Holder to secure

**NOTE:** An additional piece of Media (LF20 Tempered Glass Lenses or LA-45 Honeycomb Louver) may be installed in conjunction with the FA-94 Snoot.

**NOTE:** Do not over-tighten the Inner Media Holder if using media that requires orientation (ie. Linear Spread Lens). Alignment may be adjusted after installation is complete.

4. Reinstall the bezel into the housing by twisting clockwise until fully seated