

INSTALLATION INSTRUCTIONS | Gallery XL Track Luminaire: CTL94

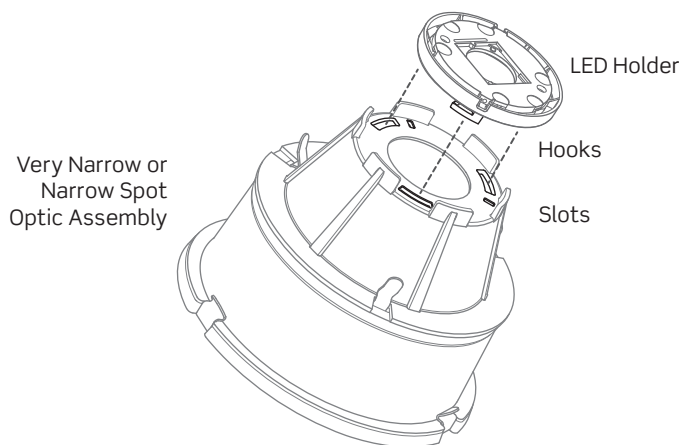
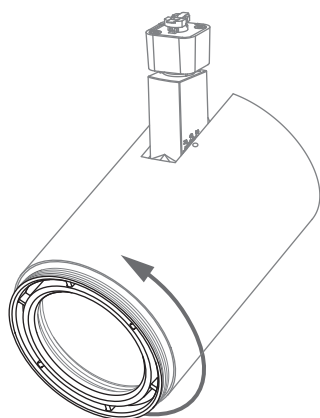
Note: Before attempting installation please refer to your local electrical code.

IMPORTANT SAFETY INSTRUCTIONS:

- Read Instructions before installation; save Instructions for later use.
- Product should be installed by a Qualified Electrician.
- All electrical connections must be in accordance with local and National Electrical Code (NEC) standards. If you are unfamiliar with proper electrical wiring connections, obtain the services of a qualified electrician.
- Before starting the installation, disconnect the power by turning off the circuit breaker or by removing the appropriate fuse at the fuse box. Turning the power off using the light switch is not sufficient to prevent electrical shock.
- Product must be grounded to avoid potential electric shock and any other potential hazards.
- Product must be mounted in locations and at heights and in a manner consistent with its intended use, and in compliance with National Electrical Code and local codes. Use of accessory equipment is not recommended.
- Do not mount near gas or electric heaters.
- Equipment should be mounted in locations and at heights where it will not readily be subject to tampering by unauthorized personnel.
- **WARNING: RISK OF SHOCK**
 - Turn off the power at fuse or circuit breaker box before installation or maintenance work.
 - Wear rubber soled shoes and work on a sturdy wooden or non-conductive ladder.
 - Ground the fixture to avoid potential electric shocks and to ensure reliable starting.
 - Double check all connections, making sure they are tight and correct.
- **WARNING: RISK OF FIRE**
 - Most dwellings built before 1985 have supply wire rated at 60°C
 - Supply conductors (power wires) connecting the fixture must be rated at minimum of 90°C
 - Consult a qualified electrician before installation
- Installing contrary to instructions may cause unsafe conditions.
- If the product has any visible damage do not install it.
- Avoid hazards to children: account for all parts and properly dispose of all packing materials.
- Call the Technical Support department at ConTech Lighting with any installation questions: 847.559.5500.

OPTIC INSTALLATION

Very Narrow Spot (VN) and Narrow Spot (NS) Optics arrive with the luminaire separately and **MUST BE FIELD INSTALLED**. For easier installation, perform these steps prior to mounting the luminaire.



1. Remove Bezel from Luminaire by twisting counterclockwise.
2. Position Optic so Mounting Slots at bottom align with white Clips on LED Holder.
3. Gently place Optic in position and rotate slightly clockwise to secure Optic into place.
4. Replace Bezel on Luminaire by twisting clockwise until fully seated.

NOTE: Medium (ME), Flood (FL) and Wide Flood (WF) Aluminum Reflectors come pre-installed; field installation is not required.