

# INSTALLATION INSTRUCTIONS | CTL94C Series: Gallery XL Canopy Mount LED Luminaires

The important safeguards and instructions here are not meant to cover all possible conditions and situations that may occur.

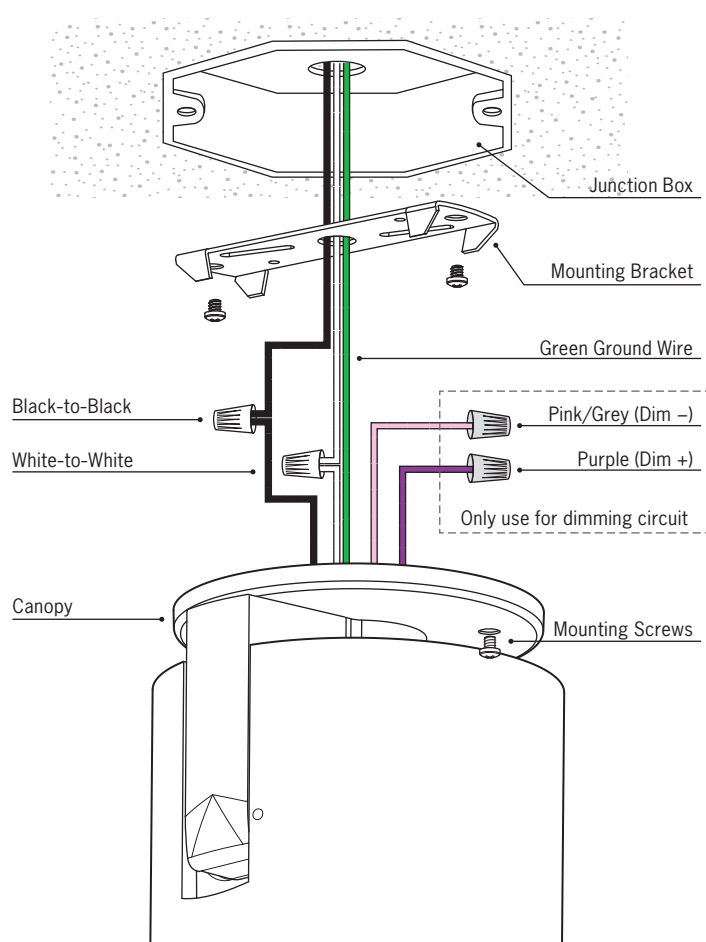
## IMPORTANT SAFETY INSTRUCTIONS:

- **WARNING: RISK OF FIRE AND ELECTROCUTION**
- **WARNING: TO AVOID FIRE, SHOCK OR DEATH**, disconnect power at circuit breaker before installing or servicing device
- **READ AND SAVE THESE INSTRUCTIONS FOR LATER USE**
- Product should be installed by an electrician
- All electrical connections must be in accordance with local and National Electrical Code (NEC) standards. If you are unfamiliar with proper electrical wiring connections, consult an electrician.
- Product must be grounded to avoid potential electric shock and any other potential hazards
- Product must be mounted in locations and at heights and in a manner consistent with its intended use, in compliance with National Electrical Code and local codes and where it will not readily be subject to tampering by unauthorized personnel
- To prevent damage to the wiring, do not expose wiring to edges of sheet metal or other sharp objects
- Wear rubber soled shoes and work on a sturdy wooden or non-conductive ladder
- Ground the fixture to avoid potential electric shock and to ensure reliable starting
- Double check all connections and screws, ensuring they are tight and correct
- **WARNING:** Risk of fire; most dwellings built before 1985 have supply wire rated at 60°C. Supply conductors (power wires) connecting the luminaire must be rated at minimum of 90°C.
- **WARNING:** Risk of burns. Lamps are extremely hot when lit. Allow lamps to cool down in temperature before handling.
- Installing contrary to instructions may cause unsafe conditions
- If the product has any visible damage do not install it
- Call the Technical Support department at ConTech Lighting with any installation questions: 847.559.5500

## INSTALLATION |

Prior to installation, ensure a 4-inch Round or Square (with a Square- to-Round Junction Box Cover Plate) Box is properly mounted to the ceiling structure.

1. Loosen the two (2) Mounting Screws on the Canopy and remove Mounting Bracket from the Canopy
2. Attach the Mounting Bracket to the Junction Box securely
3. Verify that the primary voltage matches the voltage range of the LED Driver
4. Position the Canopy/Luminaire assembly close to the Mounting Bracket
5. Connect the leads from the Junction Box to the leads of the Luminaire: Black-to-Black, White-to-White and Green-to-Ground
6. If using 0-10V Dimming, connect Purple and Pink/Grey wires per the Dimmer instructions; otherwise, use wire connector to cap these wires individually
7. Carefully tuck excess wires and connectors in Junction Box while positioning the Canopy in place
8. Tighten Mounting Screws to complete assembly



All specifications subject to change without notice. For ConTech's limited product warranty, go to [www.contechlighting.com](http://www.contechlighting.com). For a printed copy of the warranty, call 1-847-559-5500.

CONTECH LIGHTING | 725 LANDWEHR ROAD | NORTHBROOK, ILLINOIS 60062 | PHONE 847.559.5500 | [www.contechlighting.com](http://www.contechlighting.com)

©2023 Conservation Technology of Illinois, LLC. All rights reserved. Note: Specifications subject to change without notice.

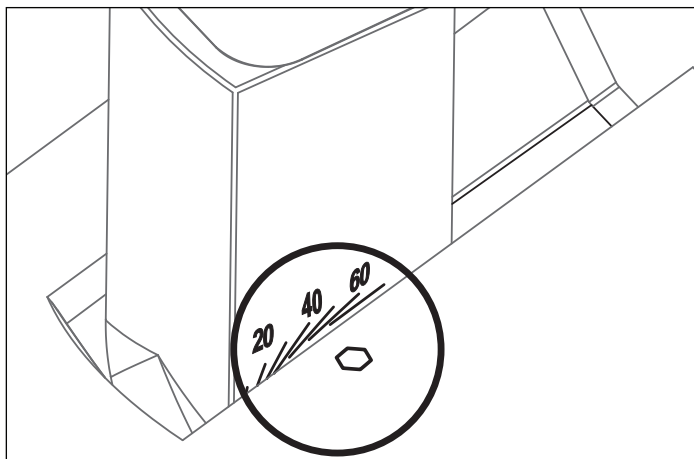
CTL94CINST REV0423

## INSTALLATION INSTRUCTIONS | Gallery XL Track Luminaire: CTL94

**Note:** Before attempting installation please refer to your local electrical code.

### AIMING AND LOCKING TRACK HEAD POSITION

One side of the CTL94 Luminaire arm has angle indicators to assist with consistent aiming

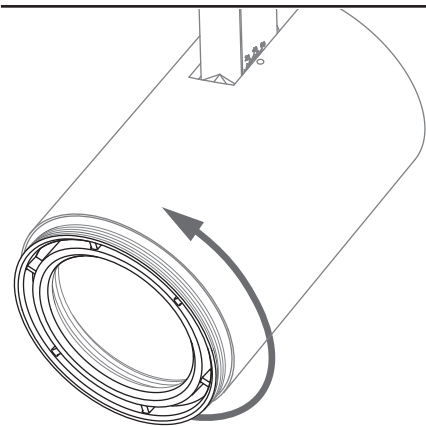


Use a 1.5mm Hex Key to lock the tilt angle into the desired aiming position. The set screw is located next to the arm in the body of the luminaire.

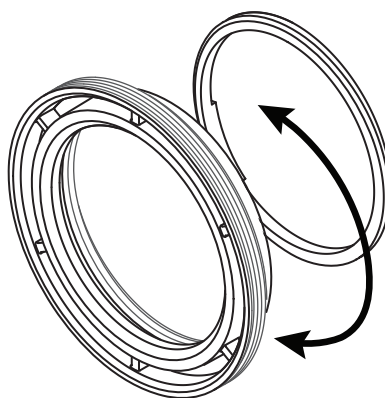
### MEDIA INSTALLATION:

The Gallery XL Track Luminaire can accept up to two (2) pieces of media: LF20 Lenses/Filters, LA-45 Honeycomb Louver, FA-94 Snoot or BD94-B Black Barn Doors. Snoot or Barn Door count as one (1) piece of media.

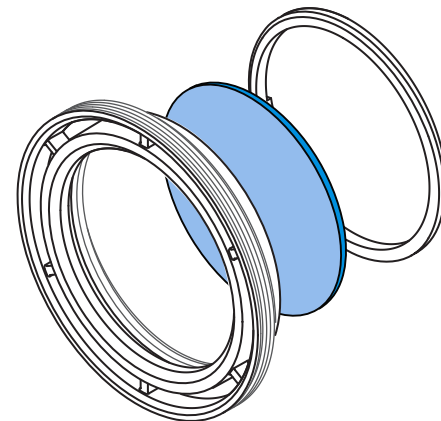
#### LF20 and/or LA-45: Tempered Glass Lenses and/or Honeycomb Louver



1. Remove Bezel from the Luminaire Housing by twisting counterclockwise



2. Remove the Inner Media Holder Ring from the backside of the Bezel, twisting counterclockwise



3. Insert desired media into the Bezel, re-installing the Inner Media Holder to secure
- NOTE:** Do not over-tighten the Inner Media Holder if using media that requires orientation (ie. Linear Spread Lens). Alignment may be adjusted after installation is complete.
4. Reinstall the bezel into the housing by twisting clockwise until fully seated

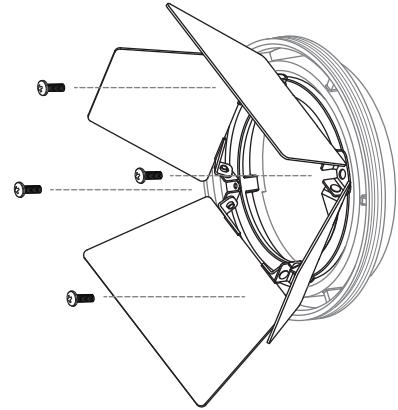
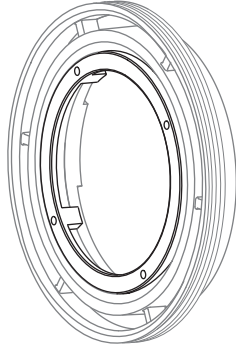
## INSTALLATION INSTRUCTIONS | Gallery XL Track Luminaire: CTL94

**Note:** Before attempting installation please refer to your local electrical code.

### MEDIA INSTALLATION:

The Gallery XL Track Luminaire can accept up to two (2) pieces of media: LF20 Lenses/Filters, LA-45 Honeycomb Louver, FA-94 Snoot or BD94-B Black Barn Doors. Snoot or Barn Door count as one (1) piece of media.

#### BD94: Barn Doors



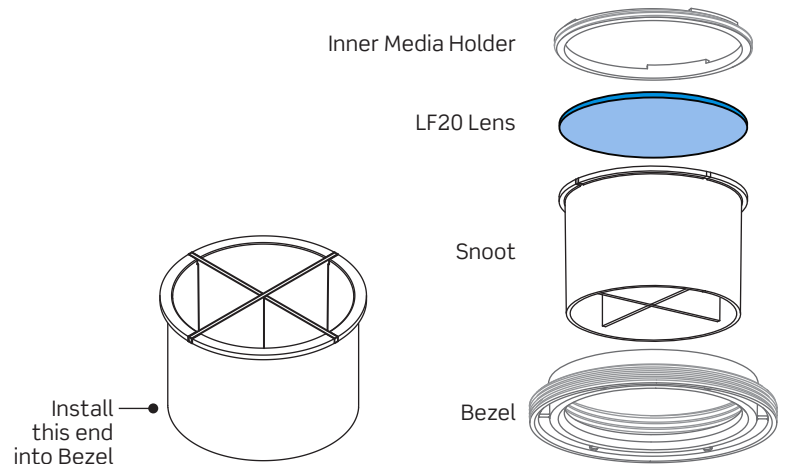
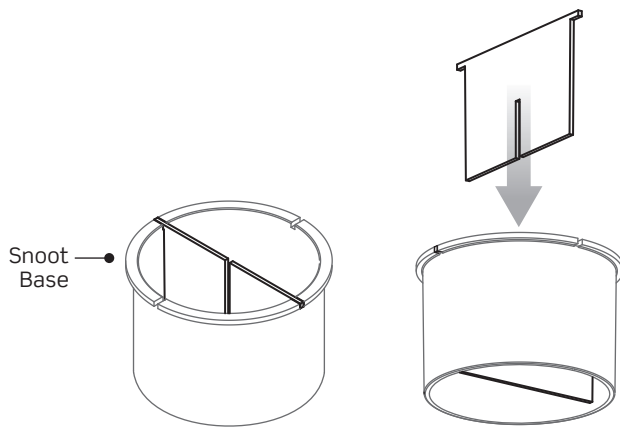
1. Remove Bezel from the Luminaire Housing by twisting counterclockwise
2. Remove the Inner Media Holder Ring from the backside of the Bezel, twisting counterclockwise
3. Insert the Barn Door Base into the Bezel, re-installing the Inner Media Holder to secure the Base

**NOTE:** Do not over-tighten the Inner Media Holder as alignment of the Barn Doors may be adjusted after installation is complete

4. Reinstall the bezel into the housing by twisting clockwise until fully seated
5. Attach the Barn Door Assembly to the Barn Door base, utilizing the four (4) screws provided

**NOTE:** This must be completed AFTER the Barn Door Base is installed in the Bezel

#### FA-94: Snoot with Optional Cross Blades



Optional Cross Blades may be installed or retained for future use.

1. If using the Cross Blades, before installing the Snoot into the Bezel, install the Cross Blade with the upper notch into the Snoot, aligning the exterior tabs with the cutouts on the Snoot Flange
2. Install the second Cross Blade, careful to align the notches and exterior tabs with the cutouts in the Snoot Flange

3. Install the entire Snoot with or without Cross Blade Assembly into the Bezel, re-installing the Inner Media Holder to secure

**NOTE:** An additional piece of Media (LF20 Tempered Glass Lenses or LA-45 Honeycomb Louver) may be installed in conjunction with the FA-94 Snoot.

**NOTE:** Do not over-tighten the Inner Media Holder if using media that requires orientation (ie. Linear Spread Lens). Alignment may be adjusted after installation is complete.

4. Reinstall the bezel into the housing by twisting clockwise until fully seated