

INSTALLATION INSTRUCTIONS | CY3 Series 3-1/2 In. Indoor Round Cylinders: Rigid Stem Pendant with Conduit Feed Box

The important safeguards and instructions in this manual are not meant to cover all possible conditions and situations that may occur.

Note: Before attempting installation, please refer to your local electrical code.

IMPORTANT SAFETY INSTRUCTIONS:

- Read all the instructions before installation. **SAVE THESE INSTRUCTIONS FOR LATER USE.**
- Product should be installed by a Qualified Electrician.
- All electrical connections must be in accordance with local and National Electrical Code (NEC) standards. If you are unfamiliar with proper electrical wiring connections, obtain the services of a qualified electrician.
- Before starting the installation, make sure all electricity has been turned off and electrical breaker has been locked out and tagged out. Turning the power off at the light switch is not sufficient to prevent electrical shock.
- Product must be grounded to avoid potential electric shock and any other potential hazards.
- Product must be mounted in locations and at heights and in a manner consistent with its intended use, and in compliance with National Electrical Code and local codes. Use of accessory equipment is not recommended.
- Do not mount near gas or electric heaters.
- Equipment should be mounted in locations and at heights where it will not readily be subject to tampering by unauthorized personnel.
- **WARNING: RISK OF SHOCK**
 - Turn off the power at fuse or circuit breaker box before installation or maintenance work.
 - Wear rubber soled shoes and work on a sturdy wooden or non-conductive ladder.
 - Ground the fixture to avoid potential electric shocks and to ensure reliable starting.
 - Double check all connections, making sure they are tight and correct.
- **WARNING: RISK OF FIRE**
 - Most dwellings built before 1985 have supply wire rated at 60°C
 - Supply conductors (power wires) connecting the fixture must be rated at minimum of 90°C
 - Consult a qualified electrician before installation
- Installing contrary to instructions may cause unsafe conditions.
- If the product has any visible damage do not install it.
- To avoid hazards to children, account for all parts and properly dispose of all packing materials.
- Call the Technical Support department at ConTech Lighting with any installation questions: 847.559.5500.

INSTALLATION

FIGURE 1

- Remove Twist-and-Lock Adapter Plate for ease of installation. Note orientation of Plate before removal.
- Install the Conduit Feed Box in desired location; hardware not provided.

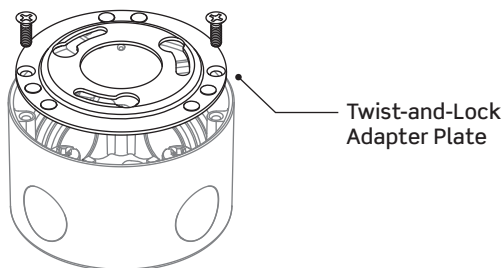


FIGURE 2

- Loosen Conduit Strap Screws to remove Knockout Plug for desired entry points.

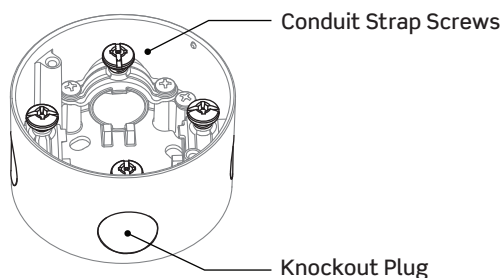
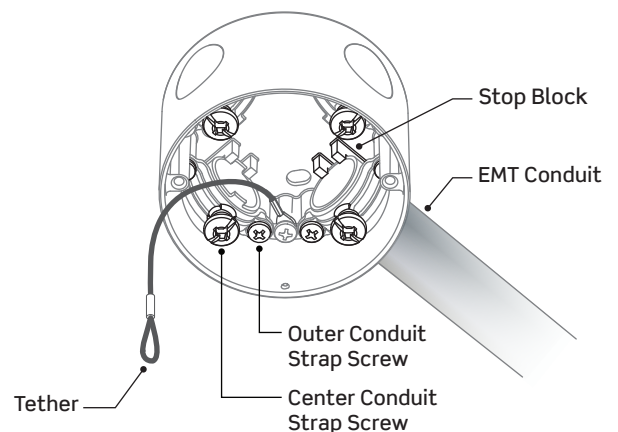


FIGURE 3

- Ensure 3/4 inch EMT Conduit is completely deburred and insert into desired entry points. EMT Conduit should be fully seated against built in Stop Block.
- Tighten Outer Conduit Strap Screws, alternating to maintain even pressure.
- Tighten Center Set Screw to fully secure Conduit.



CONTINUED

INSTALLATION INSTRUCTIONS | CY3 Series 3-1/2 In. Indoor Round Cylinders: Rigid Stem Pendant with Conduit Feed Box

The important safeguards and instructions in this manual are not meant to cover all possible conditions and situations that may occur.

Note: Before attempting installation, please refer to your local electrical code.

INSTALLATION CONTINUED

FIGURE 4

- Re-install Twist-and-Lock Adapter Plate with Retention Springs located on the **INSIDE** of the Conduit Feed Box.



FIGURE 5

- Feed Cylinder Supply Cable through Threaded Stem. 6 Inch Stem included with Cylinder; if a longer drop is needed, additional stem lengths and couplings are sold separately.
Maximum Assembled Stem Length: 120 Inches
Stem thread: 1/4-18NPS
- Tighten Threaded Stem securely into Coupling on top of Cylinder and tighten two (2) Set Screws in Cylinder Coupling to engage Cylinder to Stem.

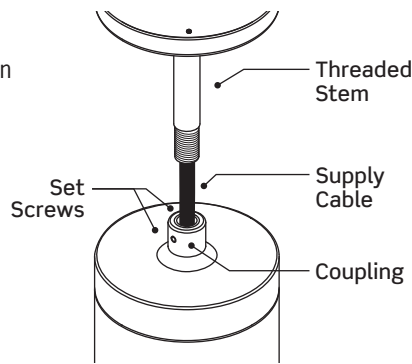


FIGURE 6

- Feed Cylinder Supply Cable through Conduit Feed Box Adapter Plate. Thread Stem into Conduit Feed Box Adapter Plate and tighten securely.

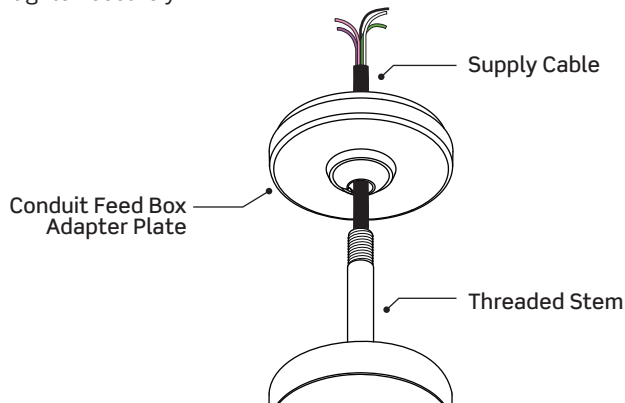


FIGURE 7

- The Cylinder is provided with 10 feet of Supply Cable. Being sure to leave at least 6 inches of excess for wiring, trim Supply Cable to desired length and strip individual Supply Wires to prepare for connections.
- Clip Cylinder Tether to Conduit Feed Box Tether to assist in wiring.
- Attach Black Line/Hot Wire to Black Wire, White/Neutral Wire to White Wire and Green/Ground Wire to Green Wire with Wire Nuts

FOR 0-10V DIMMING:

Attach Purple Wire of LED Driver to DIM (+) with Wire Nut and Pink/Gray Wire of LED Driver to DIM (-) with Wire Nuts. If not dimming, use wire connectors to cap these wires individually.

- Carefully feed any excess wire into Conduit Feed Box to avoid pinching wires.

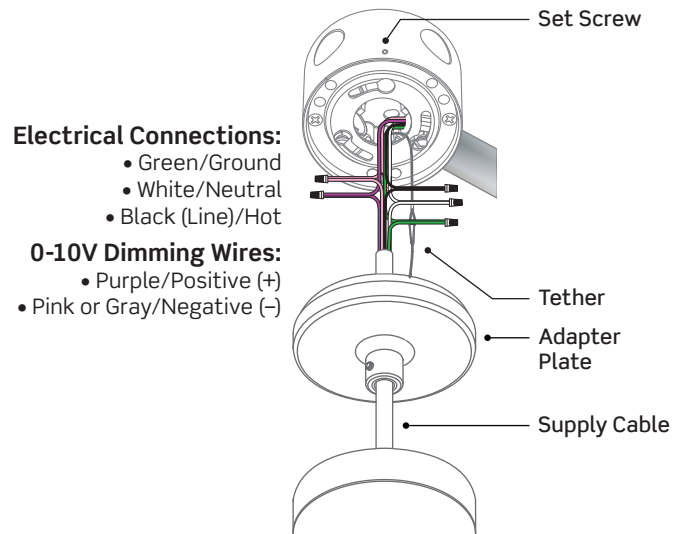


FIGURE 8

- Attach Pendant to Conduit Feed Box by twisting Conduit Feed Box Adapter Plate into the fully seated position and tightening the Set Screw on the Conduit Feed Box.

