

# INSTALLATION INSTRUCTIONS | LP4AOCC Slice Box with Occupancy Sensor & Switch

*Note: Before attempting installation please refer to your local electrical code. Installation should be carried out by a qualified electrician.*

Read all the instructions before installation. Save instructions for later use.

**CAUTION:**

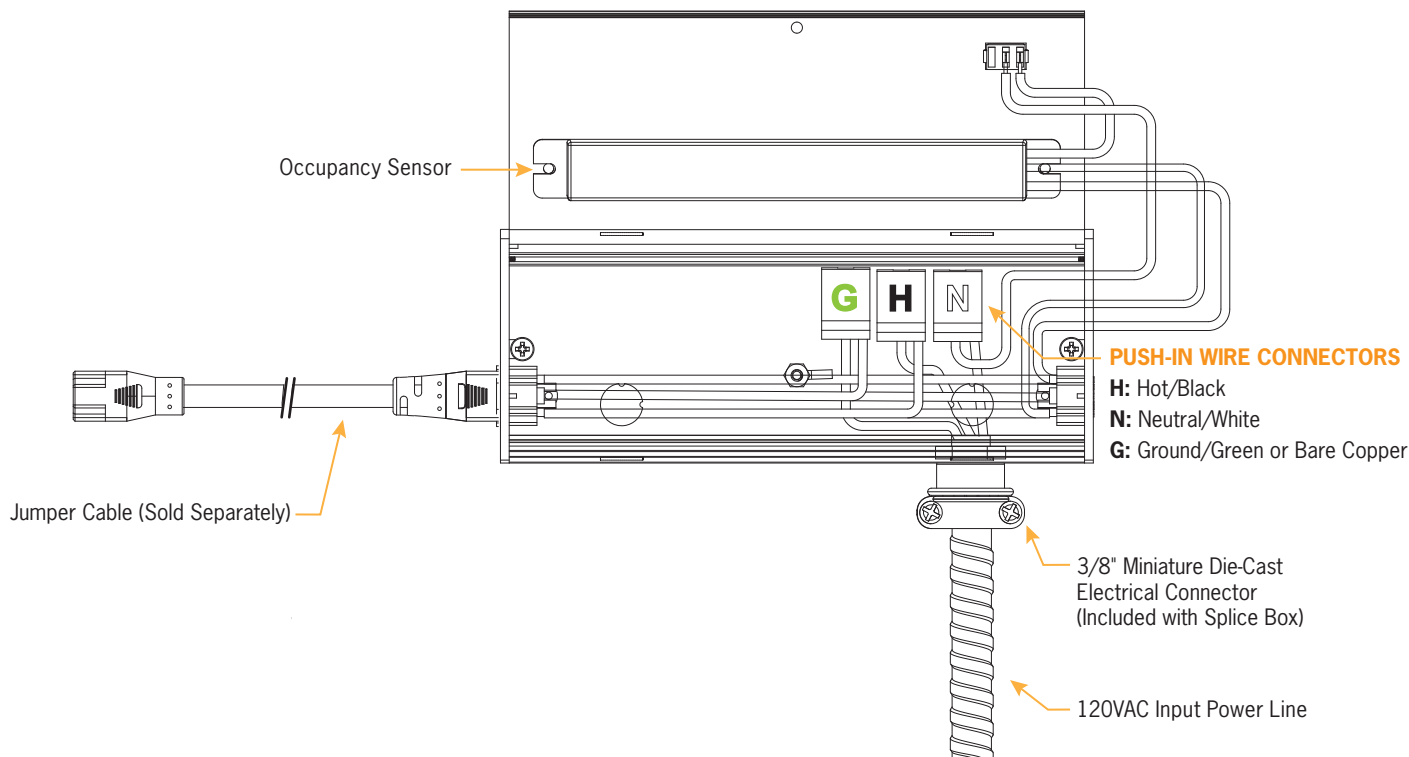
- Always turn off power prior to installation or replacement.
- Risk of electric shock. Do not use any connection pin to touch any electrical conductors.
- For indoor use only. Do not use the product in a potentially combustive environment or outdoors.
- Use only with approved LED luminaire accessory cords.
- For use with ConTech LPL and LPU series portable luminaires with three-pin input power connectors.

**IMPORTANT SAFETY INSTRUCTIONS:**

- Read all the instructions before installation. Save instructions for later use.
- Turn off power at fuse or circuit breaker box before installation or before doing any maintenance work.
- **CAUTION:** Do not exceed 3A (360W) maximum load from each electrical port. 6A (720W) Maximum for the whole unit.
- For use with 120V 60Hz power supply only. Suitable for damp locations.
- **WARNING:** Do not apply power to the luminaire and/or splice box until the following conditions have been met:
  - Mounting and wiring of luminaire and/or splice box is complete.
  - Splice box cover has been closed and screw securely fastened
  - All connected or linked fixtures have been mounted.
  - All open electrical ports on fixtures and splice box have been covered with electrical port covers provided with fixture.

- **WARNING:** To prevent over heating, do not install in small enclosed spaces. To prevent electrical shock, do not install in wet environments. Do not install any fixture closer than 6" from any curtain or similar combustible material.
- UL Approved dimmers may be used. This product is suitable for use in dimming circuits.
- Do not operate this product if power or jumper cords have been damaged. Keep cords away from sources of heat and heated surfaces.
- Do not operate this product in environments where aerosol sprays are being used or where oxygen is being administered.
- Product must be mounted in locations and at heights and in a manner consistent with its intended use, and in compliance with National Electrical Code and local codes. Use of non-approved accessory equipment is not recommended.
- Installing contrary to instructions may cause unsafe conditions.
- **WARNING:** Risk of fire. Most dwellings built before 1985 have supply wire rated at 60°C. Consult a qualified electrician before installation.
- To avoid hazards to children, account for all parts and properly dispose of all packing materials.
- Call the Technical Support department at ConTech Lighting with any installation questions.

## WIRING DIAGRAM



All specifications subject to change without notice. For ConTech's limited product warranty, go to [www.contechlighting.com](http://www.contechlighting.com). For a printed copy of the warranty, call 1-847-559-5500.

# INSTALLATION INSTRUCTIONS | LP4AOCC Slice Box with Occupancy Sensor & Switch

Note: Before attempting installation please refer to your local electrical code.

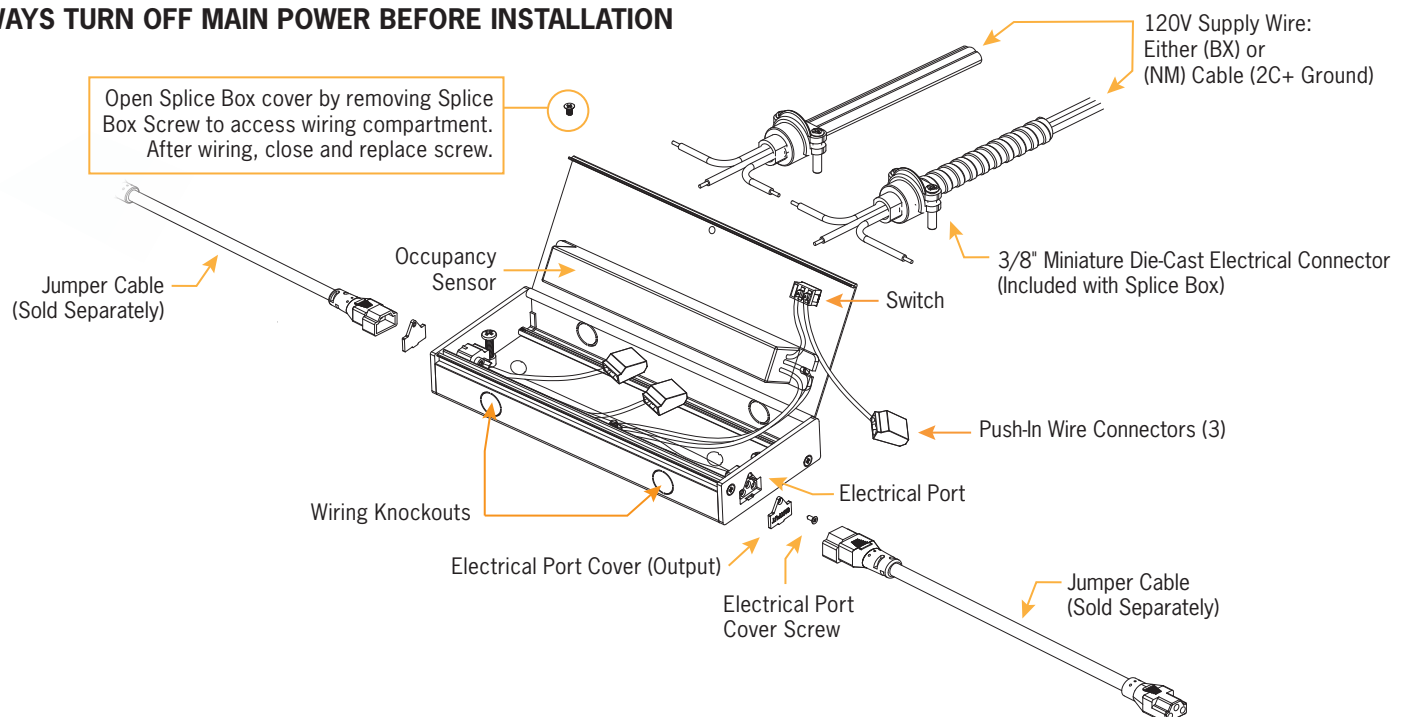
## DIRECT WIRE SPLICE BOX INSTALLATION

This splice box is designed to be wired using Non-Metallic Cable (NM) or Armored Cable (BX) supply wire. LED Portable Luminaires are sold separately from the Direct Wire Splice Box.

1. Turn off power for appropriate electrical circuit at electrical service panel.
2. Remove splice box cover screw and open cover. Save screw.
3. Prepare Flat Non-Metallic Cable (NM) (2C + Ground) or Armored Cable (BX) by stripping conductor ends approximately 3/8".
4. For installation using 3/8" Miniature Die-Cast Electrical Connector (supplied with Splice Box): Determine mounting orientation and remove one side knockout on desired side of splice box for electrical supply. Attach 3/8" Miniature Die-Cast Electrical Connector to splice box as shown. Affix 3/8" Miniature Die-Cast Electrical Connector to electrical supply (BX or NM). NM Cable outer jacket must protrude through 3/8" Miniature Die-Cast Electrical Connector to adequately protect internal conductors.
5. Tighten locknut and clamping screw(s) on electrical connector fitting securely.
6. Push stripped ends of wires into hole in PUSH-IN WIRE CONNECTORS (see Wiring Diagram). Supply wires are typically color-coded: Hot = Black, Neutral = White, Ground = Green or bare copper. Note that black wire goes into connector with black wire and white goes into connector with white wire, green goes into green wire.
7. Push excess electrical supply wire back into wall and locate splice box on mounting surface. Affix splice box to underside of cabinet with captive screws provided. Be careful not to drive screws all the way through the cabinet bottom. Use shorter screws if necessary.
8. Close and secure wiring splice box cover with supplied screw.
9. Follow instructions included with luminaire to mount fixture and insert Jumper Cord (sold separately) into appropriate electrical port of direct wire splice box.
10. Make sure that all fixtures connected to splice box are properly installed and that all open electrical ports on the splice box and fixtures are safely covered with electrical port covers.
11. Restore circuit power at electrical service panel. Turn on master switch on splice box. Master switch can be used to control all fixtures simultaneously.

### FIGURE 1

#### ALWAYS TURN OFF MAIN POWER BEFORE INSTALLATION



All specifications subject to change without notice. For ConTech's limited product warranty, go to [www.contechlighting.com](http://www.contechlighting.com). For a printed copy of the warranty, call 1-847-559-5500.

CONTECH LIGHTING | 725 LANDWEHR ROAD | NORTHBROOK, ILLINOIS 60062 | PHONE 847.559.5500 | [www.contechlighting.com](http://www.contechlighting.com)

© 2021 Conservation Technology of Illinois, LLC. All rights reserved. Note: Specifications subject to change without notice.

LP4AOCC INST REV0321