

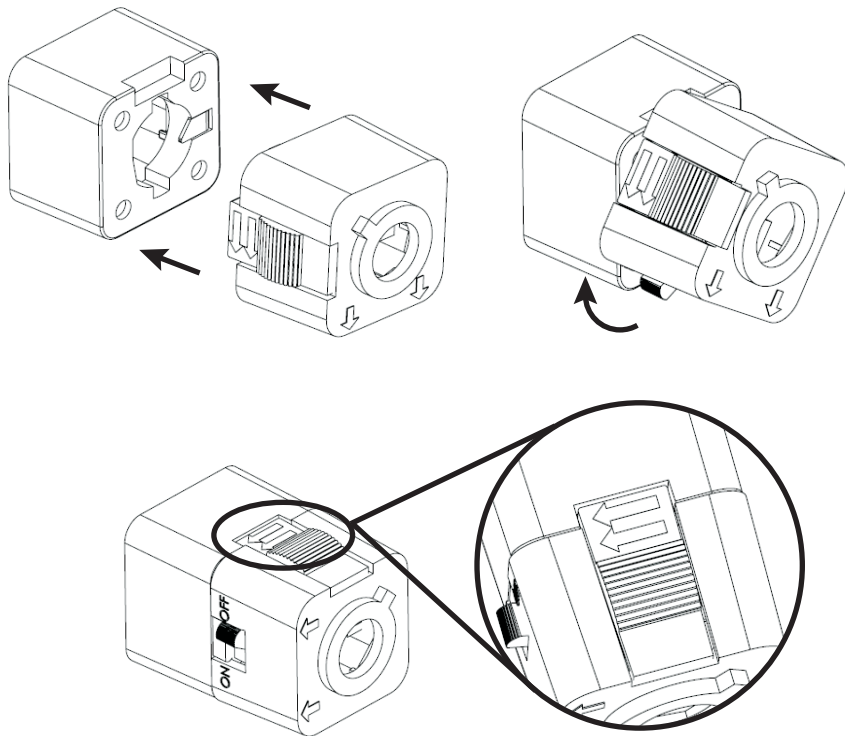
For the ConTech Lighting Nordic Track Adapter: **NTEK70**

## INSTALLATION PROCEDURES

1. After proper insertion of keyed alike shapes, turn the adapter clockwise (to the right) until the thumb grip locks into place with just a quarter turn.

## IMPORTANT SAFETY INSTRUCTIONS:

- Read all the instructions before installation. Save instructions for later use.
- Turn off power at fuse or circuit breaker box before installation or before doing any maintenance work.
- Do not exceed the nominal supply voltage or amperage rating.
- Do not install any lampholder closer than 6" from any curtain or similar combustible material.
- **Warning:** Risk of burns. Lamps are extremely hot when lit. Allow lamps to cool down in temperature before handling.
- Product must be mounted in locations and at heights and in a manner consistent with its intended use, and in compliance with National Electrical Code and local codes. Use of accessory equipment is not recommended.
- Installing contrary to instructions may cause unsafe conditions.
- **Warning:** Risk of fire. Most dwellings built before 1985 have supply wire rated at 60°C. Consult a qualified electrician before installation.
- To avoid hazards to children, account for all parts and properly dispose of all packing materials.
- Call the Technical Support department at ConTech Lighting with any installation questions: 847.559.5500.



All specifications subject to change without notice. For ConTech's limited product warranty, go to [www.contechlighting.com](http://www.contechlighting.com). For a printed copy of the warranty, call 1-847-559-5500.