

INSTALLATION INSTRUCTIONS | 4-Inch Square LED Downlights: R4SQSA StopAire™ Housing

Note: Before attempting installation please refer to your local electrical code.

IMPORTANT SAFETY INSTRUCTIONS:

- Read Instructions before installation; save Instructions for later use.
 - Product should be installed by a Qualified Electrician.
 - All electrical connections must be in accordance with local and National Electrical Code (NEC) standards. If you are unfamiliar with proper electrical wiring connections, obtain the services of a qualified electrician.
 - Before starting the installation, disconnect the power by turning off the circuit breaker or by removing the appropriate fuse at the fuse box. Turning the power off at the light switch is not sufficient to prevent electrical shock.
 - Product must be grounded to avoid potential electric shock and any other potential hazards.
 - Product must be mounted in locations and at heights and in a manner consistent with its intended use, and in compliance with National Electrical Code and local codes. Use of accessory equipment is not recommended.
 - Do not mount near gas or electric heaters
 - Equipment should be mounted in locations and at heights where it will not readily be subject to tampering by unauthorized personnel
- **WARNING: RISK OF SHOCK**
 - Turn off the power at fuse or circuit breaker box before installation or maintenance work.
 - Wear rubber soled shoes and work on a sturdy wooden or non-conductive ladder.
 - Ground the fixture to avoid potential electric shocks and to ensure reliable starting.
 - Double check all connections, making sure they are tight and correct
 - **WARNING: RISK OF FIRE**
 - Most dwellings built before 1985 have supply wire rated at 60°C
 - Supply conductors (power wires) connecting the fixture must be rated at minimum of 90°C
 - Consult a qualified electrician before installation
 - Installing contrary to instructions may cause unsafe conditions.
 - If the product has any visible damage do not install it.
 - Avoid hazards to children: account for all parts and properly dispose of all packing materials.
 - Call the Technical Support department at ConTech Lighting with any installation questions: 847.559.5500.
 - **WARRANTY**
 - ENERGY STAR® Products are covered for three (3) years by a full replacement guarantee after date of installation. In addition, ConTech LED products carry a five (5) year limited warranty from date of purchase.

INSTALLATION

FIGURE 1

- **Housing CANNOT be installed in direct contact with insulation**
- Do not install insulation within 3-inches of Housing sides, Module or Wiring Compartment, nor above complete Housing in such a manner to entrap heat

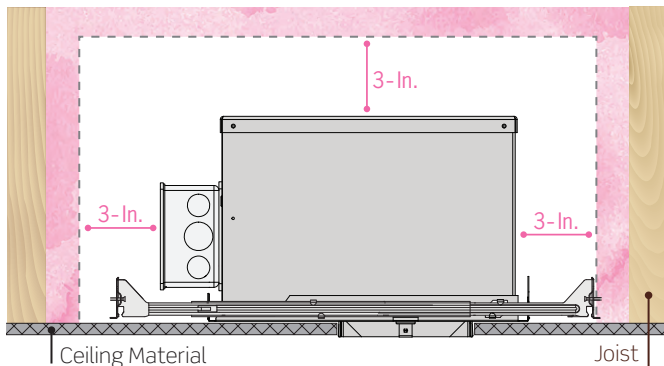
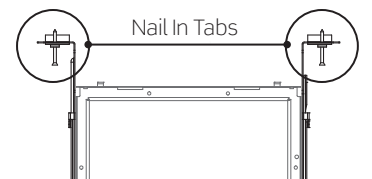


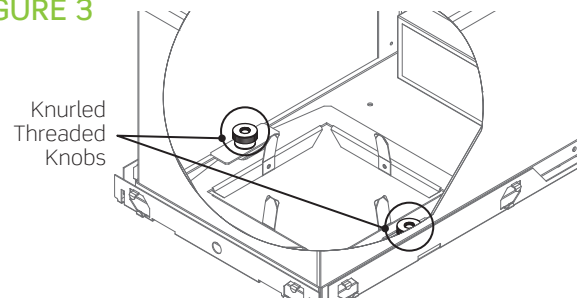
FIGURE 2

Install Hanger Bars to fixture; ensure End Tabs are facing outward



- Extend Hanger Bars to fit between joists
- Position housing by hammering nail on bars into Joists
- Hangers should be level with bottom of the Joists
- Use T-Bar Slot in the bottom bars for suspended (T-Bar) ceilings, bending the tabs to hold T-Bar tightly

FIGURE 3



- If housing square aperture is slightly out of desired position, minor adjustments can be made by loosening the two (2) knurled threaded knobs located on the top of the housing frame
- Once aperture is in position, the knurled threaded knobs should be securely tightened so aperture cannot be moved out of position
- Make all necessary electrical connections (See “Electrical Connection” section of this instruction sheet)

CONTINUED

INSTALLATION INSTRUCTIONS | 4-Inch Square LED Downlights: R4SQSA StopAire™ Housing

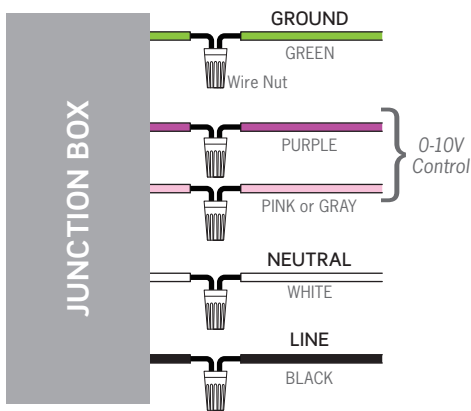
Note: Before attempting installation please refer to your local electrical code.

ELECTRICAL CONNECTION

Local electrical codes should be consulted to determine acceptable installation: Conduit, Romex or Flexible Metal Cable

- Remove the Junction Box cover
- Follow the proper wiring diagram for the selected electrical/dimming option
- Ensure wiring is the correct voltage for the fixture – either 120V, 277V or 347V
- Close Junction Box cover after wiring; ensure all wires are safely within Junction Box before closing

WIRING DIAGRAM 1



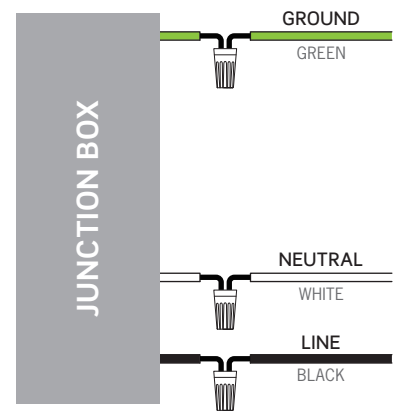
DIMMING OPTIONS: 12D, 27D, 34D2, 12D6, 27D6, 12D8, 27D8

ELECTRICAL: 120V, 277V or 347V

DIMMING: TRIAC, ELV and 0-10V

- TRIAC or ELV Dimming requires Purple and Pink/Gray wires to be capped
- When dimming with 0-10V, Class 1 wiring (300V wiring inside conduit) is required; consult factory for additional details

WIRING DIAGRAM 2

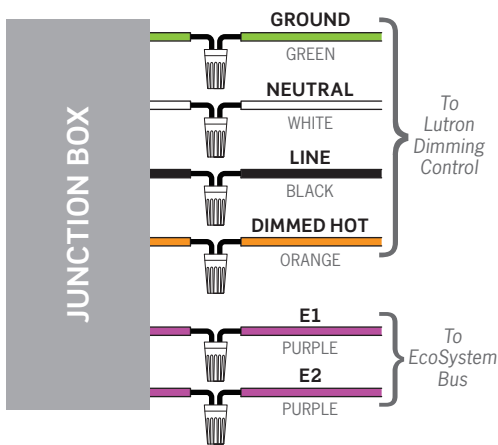


DIMMING OPTIONS: 12D3

ELECTRICAL: 120V Only

DIMMING: Lutron Hi-lume

WIRING DIAGRAM 3

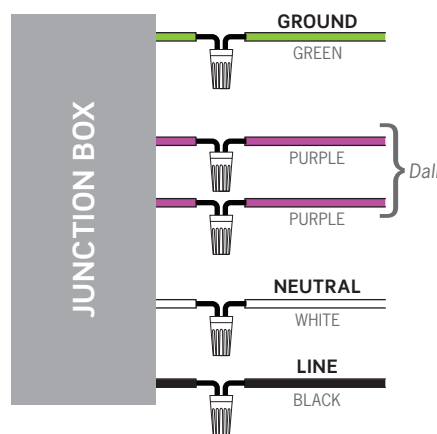


DIMMING OPTIONS: 12D4, 27D4

ELECTRICAL: 120V or 277V

DIMMING: Lutron EcoSystem

WIRING DIAGRAM 4

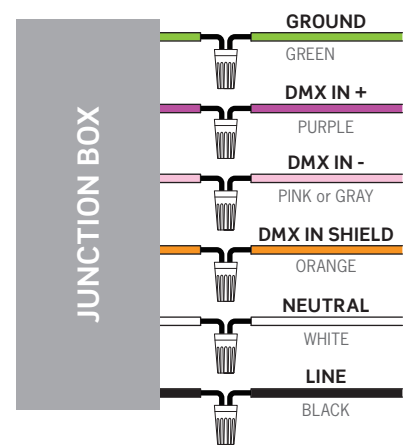


DIMMING OPTIONS: 12D7, 27D7, 12D9, 27D9

ELECTRICAL: 120V or 277V

DIMMING: Dali

WIRING DIAGRAM 5



DIMMING OPTIONS: 12DMX, 27DMX, MVDMX

ELECTRICAL: 120V or 277V

DIMMING: DMX

CONTINUED

INSTALLATION INSTRUCTIONS | 4-Inch Square LED Downlights: R4SQSA StopAire™ Housing

Note: Before attempting installation please refer to your local electrical code.

TRIM AND LED MODULE INSTALLATION:

FIGURE 4

- Remove protective cover from LED Module
- Attach trim to LED Module by simply sliding it into the Module

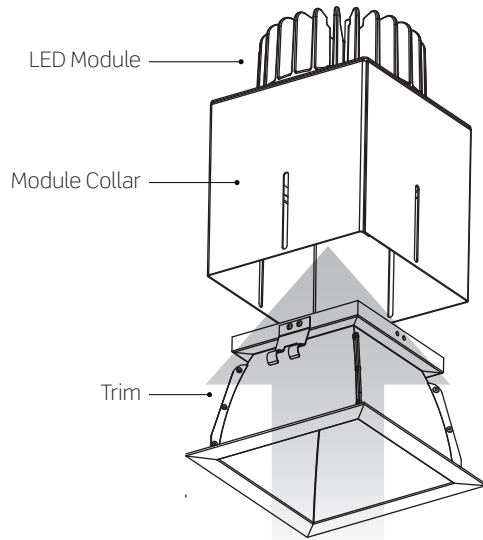
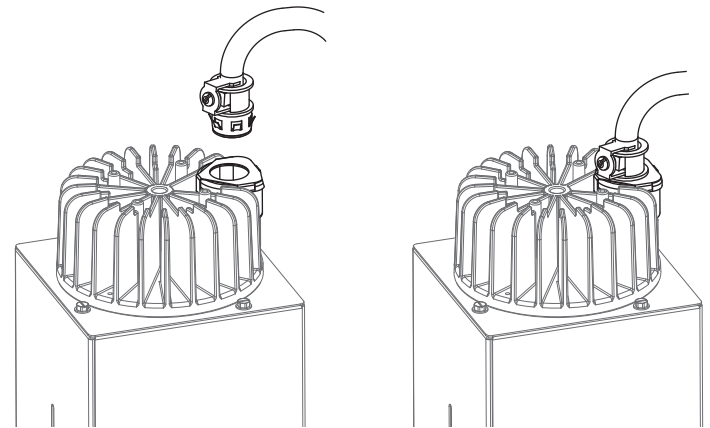


FIGURE 5

Make the LED Module electrical connection

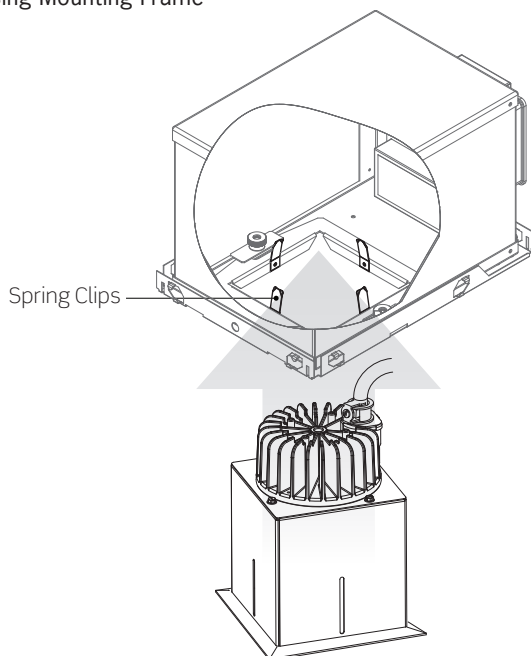


Carefully route excess wire out of the way; align metallic Connector to Heat Sink

Secure by snapping in place

FIGURE 6

- Push LED Module with assembled Trim through the aperture in the Mounting Frame until flush with ceiling
- Module is held securely in place with Spring Clips located on Housing Mounting Frame



INSTALLATION INSTRUCTIONS | 4-Inch Square LED Downlights: R4SQSA StopAire™ Housing

Note: Before attempting installation please refer to your local electrical code.

TRIMLESS INSTALLATION: MUD FRAME, TRIM AND LED MODULE

FIGURE 7

- Once Gypsum/Wall Board ceiling has been installed, ensure excess ceiling material has been cleaned up from cutout, so Mud Frame will sit flat
- Remove adhesive backing on Mud Frame
- Carefully align it with Housing Mounting Frame Collar: **alignment is critical to proper installation**
- Press Mud Frame to ceiling surface ensuring it is firmly seated
- Joint compound can now be applied to ceiling and Mud Frame

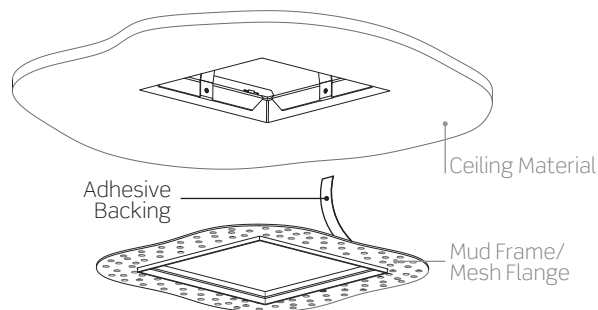
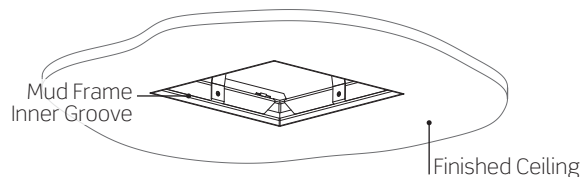


FIGURE 8

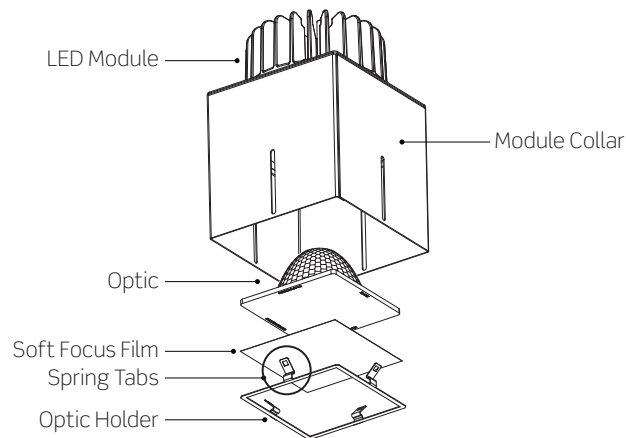
- After finish coat paint has been applied to ceiling, ensure inner groove in Mud Frame is clear from excess joint compound and paint so reflector will seat properly
- Make electrical connections and install LED Module following instructions on previous page



GLASS OPTIC OR SOFT FOCUS LENS REMOVAL:

FIGURE 8

- Remove Optic Holder Spring by pulling on four (4) Spring Tabs, being careful to support Glass Optic
- Install desired Optic by snapping Spring Holder back in place



REPLACEMENT OF LED DRIVER:

LED Driver should be replaced by a qualified electrician. Turn off power at fuse or circuit breaker box before replacing the LED Driver.

FIGURE 9

- Pull and drop the Trim and LED Module from the Frame
- Disconnect the electrical connection
- Remove the Junction Box Cover with LED Driver attached to it by loosening the two (2) Thumb Screws
- Disconnect Driver from line voltage input wiring in Junction Box
- Disconnect the Driver from the LED Leads; Leads are terminated by Crimp Connectors
- Reinstall Factory Approved LED Driver by reversing this procedure

