

# INSTALLATION INSTRUCTIONS | Adjustable Recessed or Surface Mount LED Edge-Lit Exit Sign with Battery Back-Up: REXA Series

The important safeguards and instructions in this manual are not meant to cover all possible conditions and situations that may occur.

**Note:** Before attempting installation please refer to your local electrical code.

Refer to product label markings for environmental location (indoor and/or outdoor use).

## IMPORTANT SAFETY INSTRUCTIONS:

- Read all the instructions before installation. **SAVE THESE INSTRUCTIONS FOR LATER USE.**
- Product should be installed by a Qualified Electrician.
- All electrical connections must be in accordance with local and National Electrical Code (NEC) standards. If you are unfamiliar with proper electrical wiring connections, obtain the services of a qualified electrician.
- Before starting the installation, make sure all electricity has been turned off and electrical breaker has been locked out and tagged out. Turning the power off at the light switch is not sufficient to prevent electrical shock.
- Product must be grounded to avoid potential electric shock and any other potential hazards.
- Product must be mounted in locations and at heights and in a manner consistent with its intended use, and in compliance with National Electrical Code and local codes. Use of accessory equipment is not recommended.
- Do not mount near gas or electric heaters.
- Equipment should be mounted in locations and at heights where it will not readily be subject to tampering by unauthorized personnel.
- **WARNING: RISK OF SHOCK**
  - Turn off the power at fuse or circuit breaker box before installation or maintenance work.
  - Wear rubber soled shoes and work on a sturdy wooden or non-conductive ladder.
  - Ground the fixture to avoid potential electric shocks and to ensure reliable starting.
  - Double check all connections, making sure they are tight and correct.
- **WARNING: RISK OF FIRE**
  - Most dwellings built before 1985 have supply wire rated at 60°C
  - Supply conductors (power wires) connecting the fixture must be rated at minimum of 90°C
  - Consult a qualified electrician before installation
- Installing contrary to instructions may cause unsafe conditions.
- If the product has any visible damage do not install it.
- To avoid hazards to children, account for all parts and properly dispose of all packing materials.
- Call the Technical Support department at ConTech Lighting with any installation questions: 847.559.5500.

The unit can be installed on any surface, you may rotate the Exit panel in any angle from 0 - 180°. Secure Exit panel angle using the locking screws.

## RECESSED MOUNTING: CEILING/WALL

1. Refer to assembly drawing (Figure 1) before starting installation
2. Use screwdriver to open front cover for access to supply wires and connectors (Figure 2).
3. Connect Battery to Main Board: **Battery must be connected before connecting AC power.** Feed Test Switch Connector and LED Indicator Wire out of End Cap. Feed AC Supply Wires out of top of Housing. Re-attach Front Cover.
3. Unscrew and remove Trim Plate from recessed metal box; be sure to keep these screws; they will be needed later.
4. Position metal Housing and Bar Hangers between joists. Ensure bar hangers are oriented in the correct position. Position metal Housing temporarily by hammering the nail-in tabs on Bar Hangers, then secure permanently with nails. Bar Hangers should be level with the bottom of the Joists (Figure 3).
5. Adjust height of metal Housing vertically using Adjusting Slots and tightening all screws on Adjusting Slots and Bar Hanger Bracket to secure Adjusting Bracket and Bar Hanger.
6. Make proper electrical connections at recessed metal box or at Junction Box in ceiling (Figure 4):  
**NOTE:** Holding Wire may be used during wiring.
  - Make the proper Supply Wire connections.
  - If using 120VAC, connect the Black (Hot) and White Wires to Supply Wires. Connect Green Wire to Ground (Figure 4).
  - If using 277VAC, connect the Orange (Hot) and White Wires to Supply Wires. Connect Green Wire to Ground (Figure 4).
  - Cap off unused Wires. In all cases, use standard approved Wire Nuts for connection of Wires.
7. Insert fixture into recessed metal box and snap into spring, connect test switch and insert LED indicator into bushing on trim plate. Secure trim plate using screws removed previously (Figure 5).
8. Determine direction for chevron(s)/arrow(s). If directional chevron is needed, peel off instructional film only leaving chevron in place. If directional chevron is not needed, peel off chevron along with instructional film.
9. Allow battery to charge for 24 hours before first use.
10. For recessed wall mounting, follow all procedures above, then rotate the Exit Panel 90° after securing the Trim Plate.

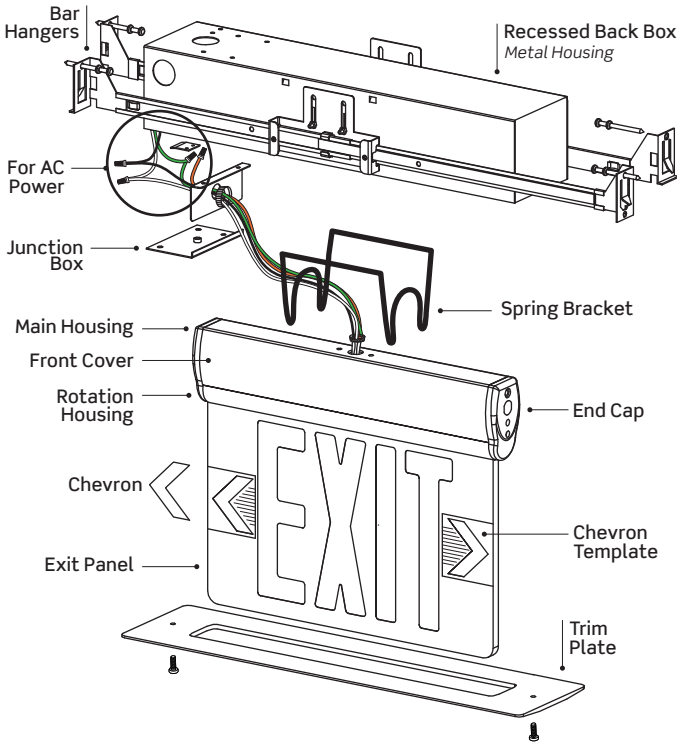
# INSTALLATION INSTRUCTIONS | Adjustable Recessed or Surface Mount LED Edge-Lit Exit Sign with Battery Back-Up: REXA Series

The important safeguards and instructions in this manual are not meant to cover all possible conditions and situations that may occur.

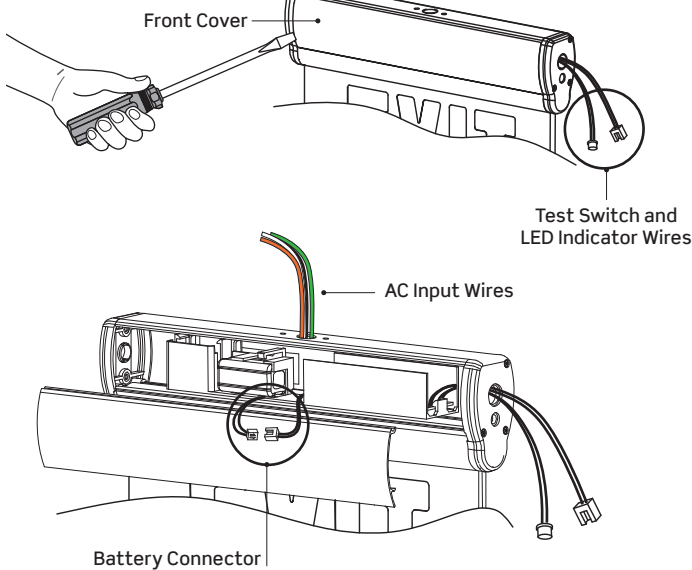
**Note:** Before attempting installation please refer to your local electrical code.  
Refer to product label markings for environmental location (indoor and/or outdoor use).

## RECESSED MOUNTING: CEILING/WALL

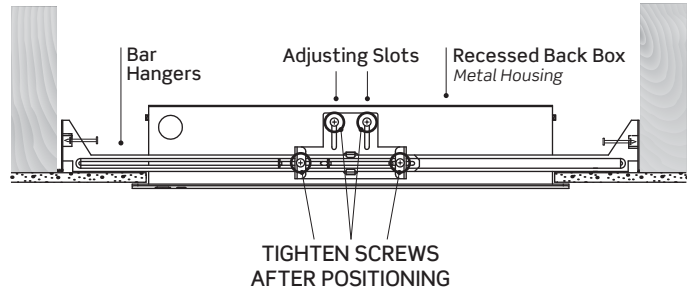
**FIGURE 1**



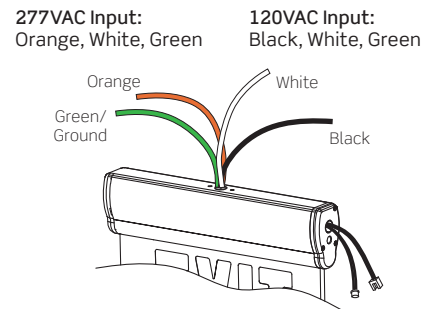
**FIGURE 2**



**FIGURE 3**

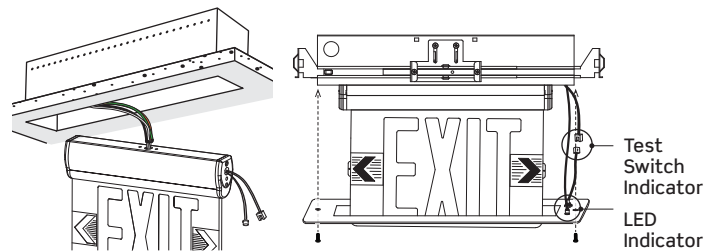


**FIGURE 4**

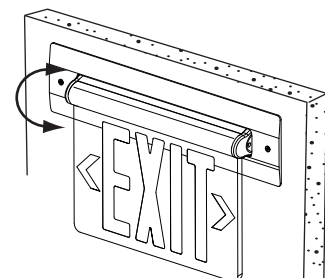


**FIGURE 5**

Recessed Ceiling Mount



Recessed Wall Mount



# INSTALLATION INSTRUCTIONS | Adjustable Recessed or Surface Mount LED Edge-Lit Exit Sign with Battery Back-Up: REXA Series

The important safeguards and instructions in this manual are not meant to cover all possible conditions and situations that may occur.

**Note:** Before attempting installation please refer to your local electrical code.

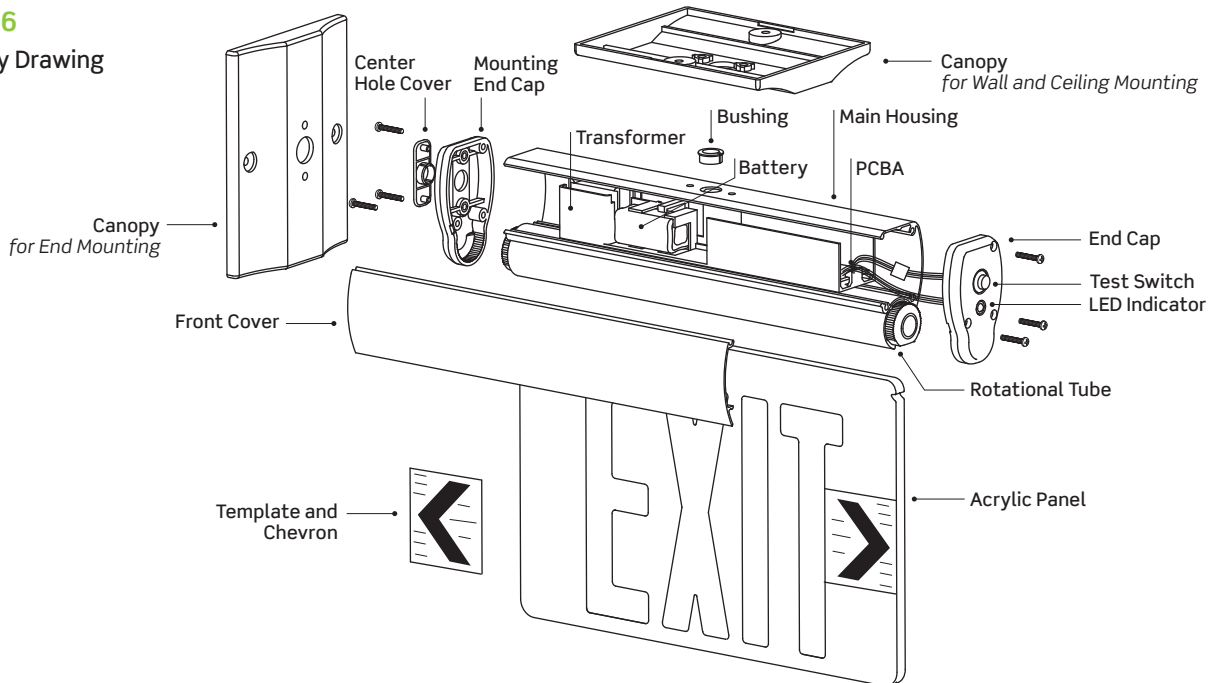
Refer to product label markings for environmental location (indoor and/or outdoor use).

The unit can be installed on any surface, you may rotate the Exit panel in any angle from 0 - 180°. Secure Exit panel angle using the locking screws.

## SURFACE MOUNTING

1. Refer to assembly drawing before starting installation (Figure 6)
2. Unscrew and remove Trim Plate from Recessed Metal Box.
3. Remove Test Switch and LED Indicator Bushing from Trim Plate (Figure 7)
4. Use screwdriver to open Front Cover for access to Supply Wires and Connectors (Figure 8). Connect Battery to Main Board (Battery must be connected before connecting AC power). Assemble Test Switch and LED Indicator with Bushing into End Cap.
5. Attach Crossbar to Junction Box, using screws if needed (not provided).
6. For Ceiling/Wall Mount: Feed AC Supply Wires through center hole on top of Housing (Figures 9 and 10).
7. For End Mount: Push out Center Hole Cover from Mounting End Cap (keep for later use). Feed AC Supply Wires through hole in center of Mounting End Cap. Remove Bushing from center hole in top of Housing and install the Center Hole Cover to close off top holes (Figure 6 and 11).
8. Re-attach Front Cover.
9. Feed AC Supply Wires through Canopy Center Hole and assemble Canopy onto Aluminum Housing with two (2) #10-24 Screws (supplied).
10. Make the proper Supply Wire connections.
11. If using 120VAC, connect the Black (hot) and White wires to the Supply Wires. Connect Green wire to Ground (Figure 4).
12. If using 277VAC, connect the Orange (hot) and White wires to the Supply Wires. Connect Green wire to Ground (Figure 4).
13. Cap off unused wires. In all cases, use standard approved Wire Nuts for connection of wires.
14. Determine direction for Chevron(s)/Arrow(s). If directional Chevron is needed, peel off Instructional Film only leaving Chevron in place. If directional Chevron is not needed, peel off Chevron along with Instructional Film.
15. Using (2) M4-40 Screws (supplied), tighten Canopy to Mounting Plate/Crossbar.

**FIGURE 6**  
Assembly Drawing



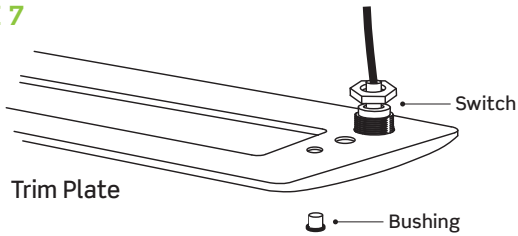
# INSTALLATION INSTRUCTIONS | Adjustable Recessed or Surface Mount LED Edge-Lit Exit Sign with Battery Back-Up: REXA Series

The important safeguards and instructions in this manual are not meant to cover all possible conditions and situations that may occur.

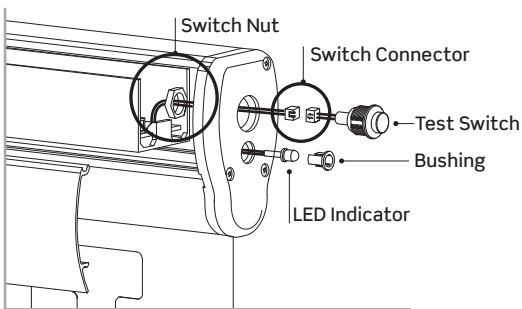
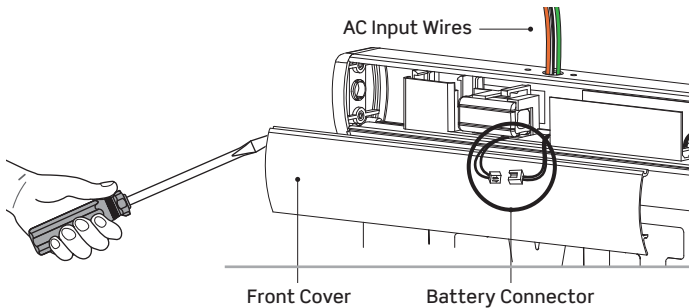
**Note:** Before attempting installation please refer to your local electrical code.  
Refer to product label markings for environmental location (indoor and/or outdoor use).

## SURFACE MOUNT

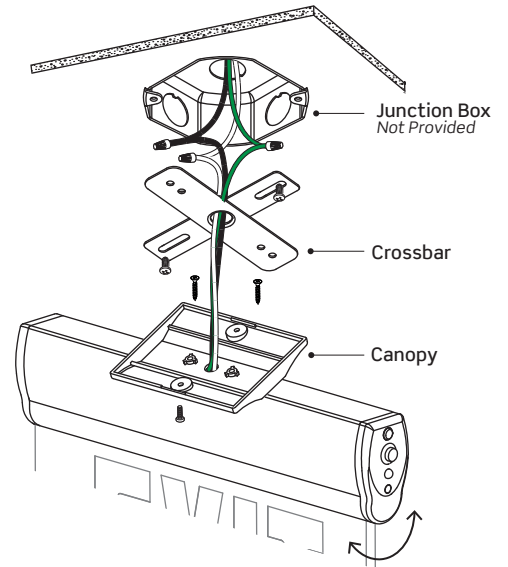
**FIGURE 7**



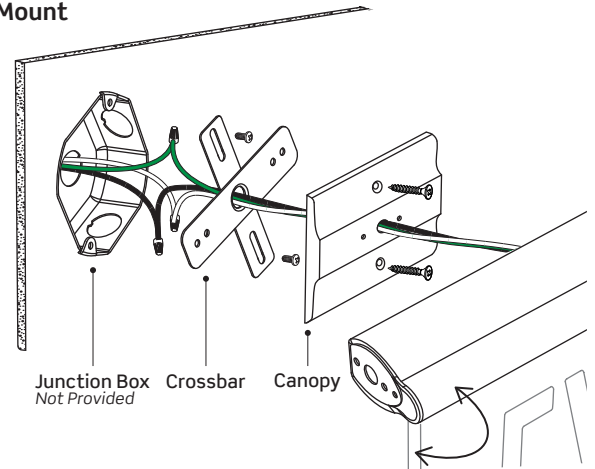
**FIGURE 8**



**FIGURE 9**  
Ceiling Mount



**FIGURE 10**  
Wall Mount



**FIGURE 11**  
End Mount

