

INSTALLATION INSTRUCTIONS | 4- & 6-Inch New Construction Downlight Sloped Ceiling Adapters: RSA4L and RSA6L Series

Note: Before attempting installation please refer to your local electrical code.

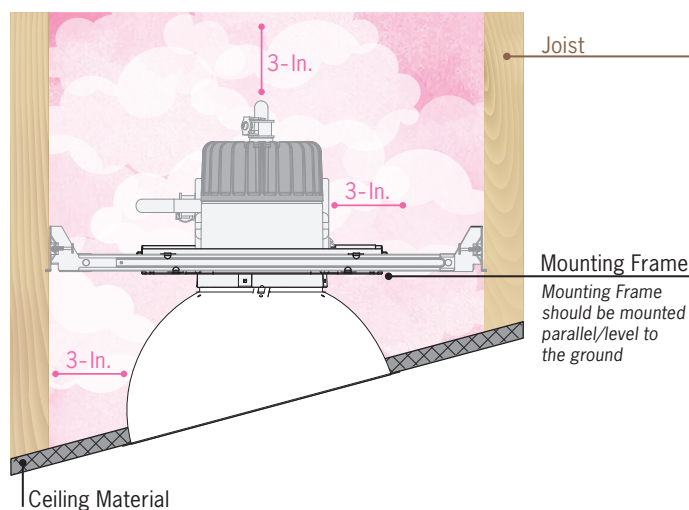
IMPORTANT SAFETY INSTRUCTIONS:

- Read Instructions before installation; save Instructions for later use.
- Product should be installed by a Qualified Electrician.
- All electrical connections must be in accordance with local and National Electrical Code (NEC) standards. If you are unfamiliar with proper electrical wiring connections, obtain the services of a qualified electrician.
- Before starting the installation, disconnect the power by turning off the circuit breaker or by removing the appropriate fuse at the fuse box. Turning the power off using the light switch is not sufficient to prevent electrical shock.
- Product must be grounded to avoid potential electric shock and any other potential hazards.
- Product must be mounted in locations and at heights and in a manner consistent with its intended use, and in compliance with National Electrical Code and local codes. Use of accessory equipment is not recommended.
- Do not mount near gas or electric heaters.
- Equipment should be mounted in locations and at heights where it will not readily be subject to tampering by unauthorized personnel.
- Do not block light from fixture, in whole or in part, as this may cause unsafe conditions
- **WARNING: RISK OF SHOCK**
 - Turn off the power at fuse or circuit breaker box before installation or maintenance work.
 - Wear rubber soled shoes and work on a sturdy wooden or non-conductive ladder.
 - Ground the fixture to avoid potential electric shocks and to ensure reliable starting.
 - Double check all connections, making sure they are tight and correct.
- **WARNING: RISK OF FIRE**
 - Most dwellings built before 1985 have supply wire rated at 60°C
 - Supply conductors (power wires) connecting the fixture must be rated at minimum of 90°C
 - Consult a qualified electrician before installation
- Installing contrary to instructions may cause unsafe conditions.
- If the product has any visible damage do not install it.
- Avoid hazards to children: account for all parts and properly dispose of all packing materials.
- Call the Technical Support department at ConTech Lighting with any installation questions: 847.559.5500.

INSTALLATION

FIGURE 1

- **Housing can NOT be installed in direct contact with insulation**
- Do not install insulation within 3-inches of luminaire sides, module or wiring compartment, nor above complete housing in such a manner to entrap heat
- The bottom face of the mounting frame should be mounted parallel/level to the ground, NOT parallel to the slope ceiling surface



CONTINUED

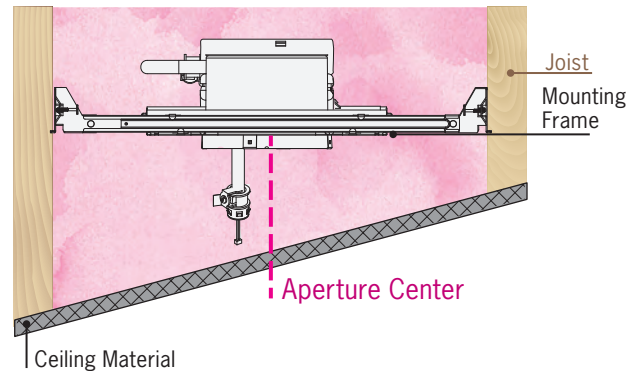
INSTALLATION INSTRUCTIONS | 4- & 6-Inch New Construction Downlight Sloped Ceiling Adapters: RSA4L and RSA6L Series

Note: Before attempting installation please refer to your local electrical code.

CEILING MATERIAL INSTALLATION AND CUT-OUT

FIGURE 2

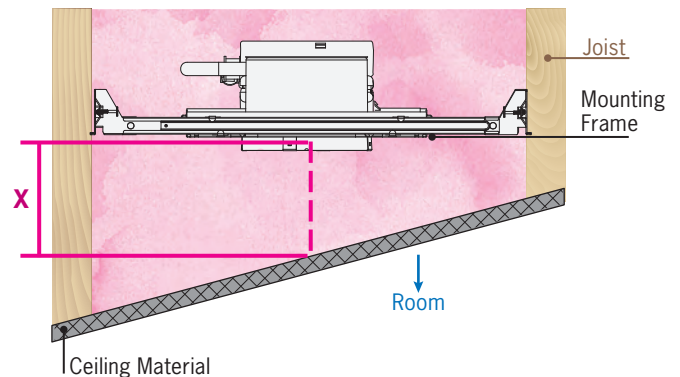
- Before ceiling material is installed, note the center of the luminaire aperture; this position will be used to locate the hole for the large ceiling cut-out
- After ceiling material is installed, locate the luminaire aperture center from previous step
- Use this as the center location for ceiling cut-out:
 - For RSA4L cut a round hole with a diameter of 10-1/4-inches, centered on luminaire aperture center
 - For RSA6L cut a round hole of diameter 15-1/4-inches, centered on luminaire aperture center



MOUNTING HEIGHT

FIGURE 3

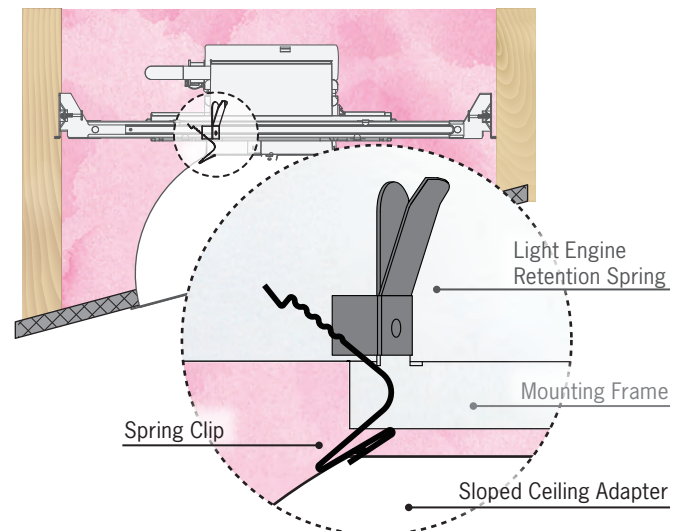
- The mounting height of the mounting frame is crucial for proper installation of the Slope Ceiling Adapter
- Mount bottom face of mounting frame at “X” dimension from the room side of the ceiling surface
 - RSA4L: X=5-Inches
 - RSA6L: X=7-1/2-Inches
- Make all necessary electrical connections (See “Electrical Connection” section of this instruction sheet; Page 3)



ADAPTER INSTALLATION

FIGURE 4

- Attach spring clips included with Slope Ceiling Adapter to the top of the dome at the upper round cutout
- The small tab on the spring clip should locate into the small holes at the top of the Slope Ceiling Adapter, locking into place
 - RSA4L Series: Place three (3) spring clips in three (3) of the six (6) mounting points. Choose (3) mounting points to prevent interference with light engine retention springs on mounting frame.
 - RSA6L Series: Place four (4) spring clips at each mounting point on the large adapter dome
- Once Spring Clips are in place, attach Slope Ceiling Adapter to the Mounting Frame
- Install the LED Module and Trim through the aperture of the Slope Ceiling Adapter



INSTALLATION INSTRUCTIONS | 4- & 6-Inch New Construction Downlight Sloped Ceiling Adapters: RSA4L and RSA6L Series

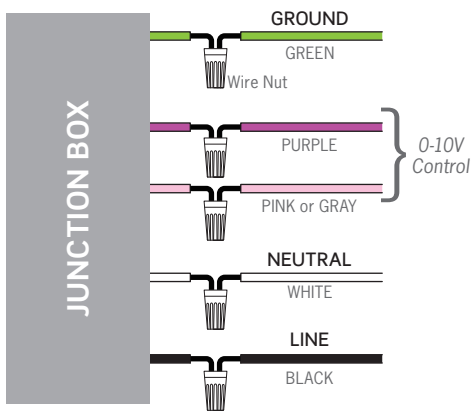
Note: Before attempting installation please refer to your local electrical code.

ELECTRICAL CONNECTION

Local electrical codes should be consulted to determine acceptable installation: Conduit, Romex or Flexible Metal Cable

- Remove the Junction Box cover
- Follow the proper wiring diagram for the selected electrical/dimming option
- Ensure wiring is the correct voltage for the fixture – either 120V, 277V or 347V
- Close Junction Box cover after wiring; ensure all wires are safely within Junction Box before closing

WIRING DIAGRAM 1



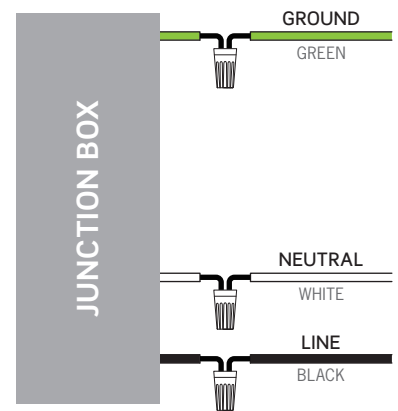
DIMMING OPTIONS: 12D, 27D, 34D2, 12D6, 27D6, 12D8, 27D8

ELECTRICAL: 120V, 277V or 347V

DIMMING: TRIAC, ELV and 0-10V

- TRIAC or ELV Dimming requires Purple and Pink/Gray wires to be capped
- When dimming with 0-10V, Class 1 wiring (300V wiring inside conduit) is required; consult factory for additional details

WIRING DIAGRAM 2

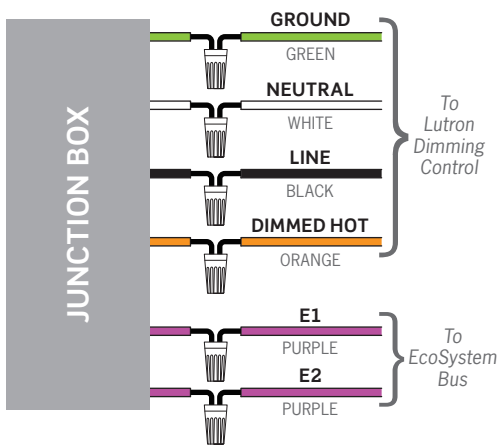


DIMMING OPTIONS: 12D3

ELECTRICAL: 120V Only

DIMMING: Lutron Hi-lume

WIRING DIAGRAM 3

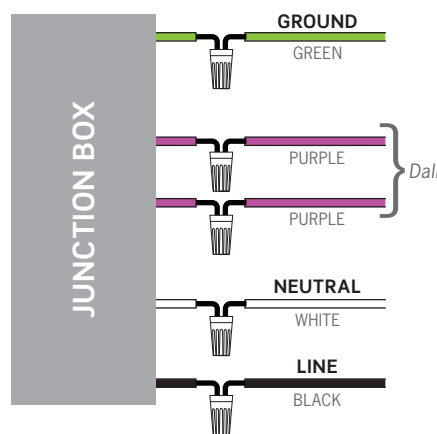


DIMMING OPTIONS: 12D4, 27D

ELECTRICAL: 120V or 277V

DIMMING: Lutron EcoSystem

WIRING DIAGRAM 4

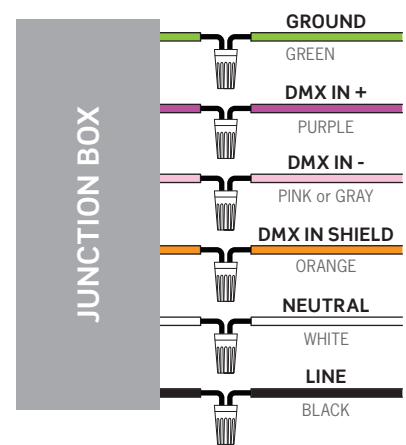


DIMMING OPTIONS: 12D7, 27D7, 12D9, 27D9

ELECTRICAL: 120V or 277V

DIMMING: Dali

WIRING DIAGRAM 5



DIMMING OPTIONS: 12DMX, 27DMX, MVDMX

ELECTRICAL: 120V or 277V

DIMMING: DMX

CONTINUED

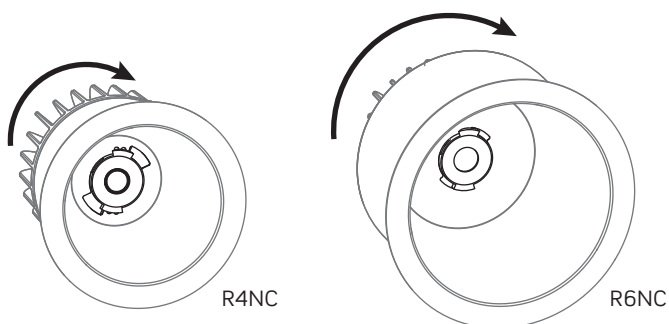
INSTALLATION INSTRUCTIONS | 4- & 6-Inch New Construction Downlight Sloped Ceiling Adapters: RSA4L and RSA6L Series

Note: Before attempting installation please refer to your local electrical code.

TRIM AND LED MODULE INSTALLATION:

FIGURE 5

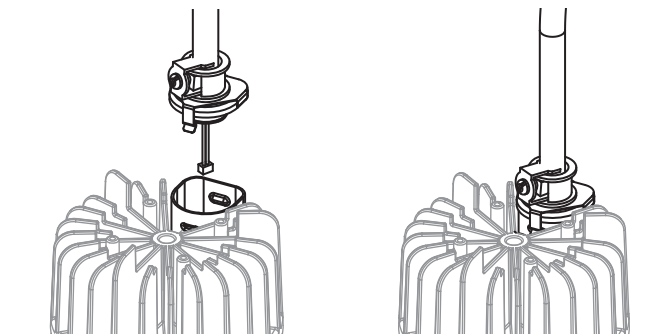
- Remove protective cover from LED Module
- If using a Decorative Trim Assembly with separate Trim Ring, place Ring on Reflector prior to assembly.
- Attach Reflector to Module by aligning Tabs, then twist and lock into place



- For two-piece Trim Assemblies with Lenses, install upper Reflector with a twist and lock, then complete the Trim Assembly by simply pushing the lower Assembly into the LED Module
- Friction Clips secure Lower Assembly in LED Module

FIGURE 6

Make the LED Module electrical connection



Carefully route excess wire out of the way; align metallic Connector to Heat Sink

Secure by snapping in place

- Push Module with assembled Reflector through the hole in plaster frame until flush with ceiling
- Module is held securely in place with Spring Clips on housing frame

REPLACEMENT OF LED DRIVER:

LED Driver should be replaced by a qualified electrician.

Turn off power at fuse or circuit breaker box before replacing the LED Driver.

FIGURE 7

- Pull and drop the Trim and LED Module from the Frame
- Disconnect the electrical connection (FIGURE 6)
- Remove the Junction Box Cover with LED Driver attached to it by releasing Retention Spring on top of Junction Box
- Disconnect Driver from line voltage input wiring in Junction Box
- Disconnect the Driver from the LED leads; leads are terminated by crimp connectors
- Reinstall Factory Approved LED Driver by reversing this procedure

