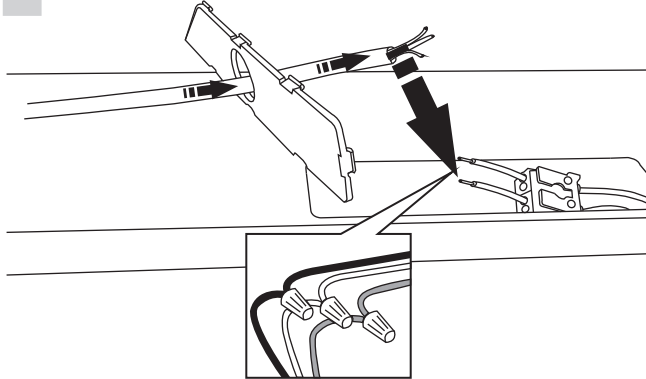


ENSURE THAT POWER IS TURNED OFF BEFORE INSTALLATION.

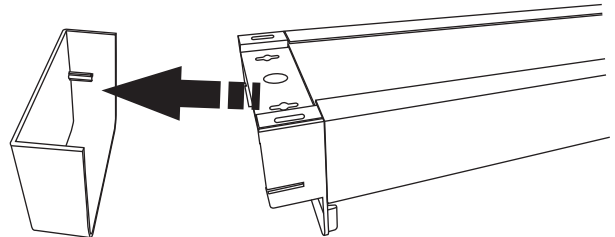
1

Pass the power supply wire through the plastic sheet. Connect the power wires by the wire nuts.



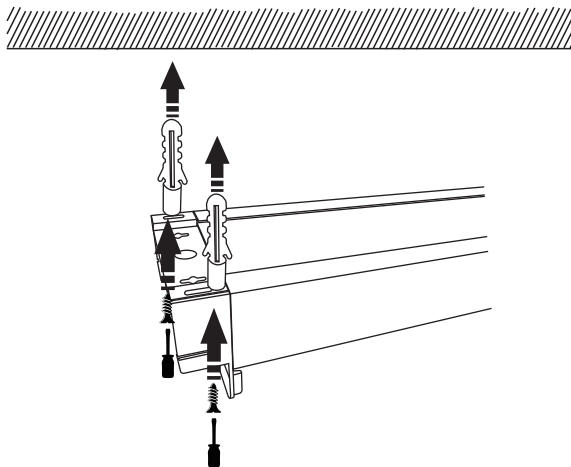
2

Pull the plastic cap off of each end.



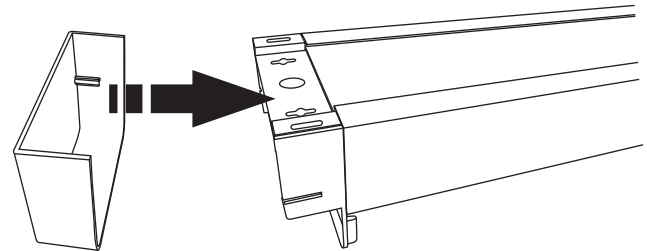
3

Screw the fixture into the ceiling through the mounting holes.



4

Reinstall the plastic end caps to the fixture.

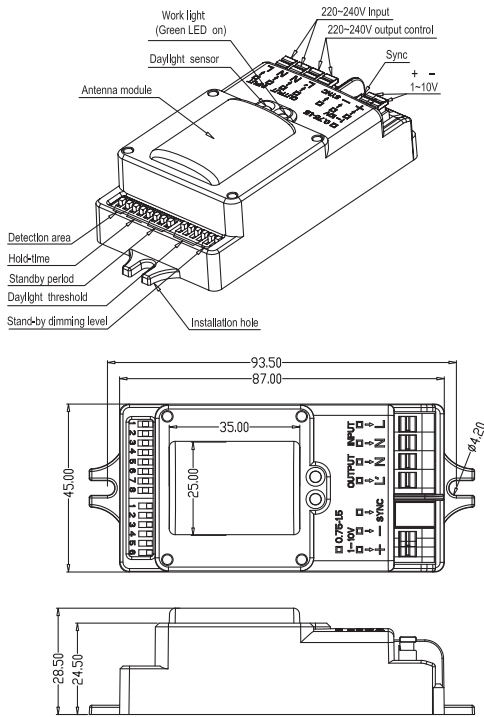


IMPORTANT SAFETY INSTRUCTIONS:

- Read all the instructions before installation. Save instructions for later use.
- Turn off the power at fuse or circuit breaker box before installation or maintenance work.
- Wear rubber soled shoes and work on a sturdy wooden or non-conductive ladder.
- Product must be mounted in locations and at heights in compliance with National Electrical Code and local building codes. For indoor use only.
- Do not exceed the nominal supply voltage or amperage ratings.
- Installing contrary to instructions may cause unsafe conditions.
- **Warning:** Risk of fire. Most dwellings built before 1985 have supply wire rated at 60°C. Consult a qualified electrician before installation.
- Avoid hazards to children: account for all parts and properly dispose of all packing materials.
- Call the Technical Support department at ConTech Lighting with any installation questions.

All specifications subject to change without notice. For ConTech's limited product warranty, go to www.contechlighting.com. For a printed copy of the warranty, call 1-847-559-5500.

MICROWAVE MOTION SENSOR DIMMING SENSOR



Operating Voltage	120~277VAC, 50Hz/60Hz
Rated Capacitive Load	120V@400W; 220-240V@800W; 277V@1000W
HF System	5.8GHz±75MHz, ISM Wave Band
Transmitting Power	<0.5mW
Power Consumption	≤0.5W (Standby), <1W (Operation)
Detection Zone	Max. (DxH): 16m x 15m
Detection Sensitivity	10%/50%/75%/100%
Hold Time	5s/30s/90s/3min/20min/30min
Daylight Sensor	2lux/5lux/10lux/25lux/50lux/100lux/Disable
Stand-by Period	0s/5s/5min/10min.30min/1h/+∞
Stand-by Dimming Level	10%/20%/30%/50%
Mounting Height	15m Max
Motion Detection	0.5~3m/s
Detection Angle	150° Wall Installation, 360° Ceiling Installation
Operating Temperature	-35°C~70°C
IP Rating	IP20

SETTING THE MICROWAVE MOTION SENSOR DIMMING SENSOR

ON ↑		1	2	
	I	ON	ON	100%
	II	ON	-	75%
	III	-	ON	50%
IV	-	-	10%	

By selecting the combination on the DIP switches, sensor data can be precisely set for each specific application.

Detection Area

Detection area can be reduced by selecting the combination on the DIP switches to fit precisely each application.

ON ↑		3	4	5	
	I	ON	ON	ON	5s
	II	-	ON	ON	30s
	III	ON	-	ON	90s
	IV	-	-	ON	3min
	V	ON	ON	-	20min
VI	-	-	-	30min	

Hold Time

Refers to the time period the lamp remains at 100% illumination after no motion is detected.

ON ↑		6	7	8	
	I	ON	ON	ON	0s
	II	-	ON	ON	5s
	III	ON	-	ON	5min
	IV	-	-	ON	10min
	V	ON	ON	-	30min
	VI	-	ON	-	1h
VII	-	-	-	+∞	

Stand-by Period

Refers to the time period the lamp remains at a low light level before it completely switches off in the long absence of people. When set to "+∞" mode, the low light is maintained until motion is detected.

ON ↑		1	2	3	4	
	I	-	-	ON	ON	2Lux
	II	-	-	-	ON	5Lux
	III	-	ON	ON	-	10Lux
	IV	-	-	ON	-	25Lux
	V	-	ON	-	-	50Lux
	VI	ON	-	-	-	100Lux
VII	-	-	-	-	Disable	

Daylight Sensor

The sensor can be set to only allow the lamp to illuminate below a defined ambient brightness threshold. When set to disable mode, the daylight sensor will switch on the lamp when motion is detected regardless of ambient light level.

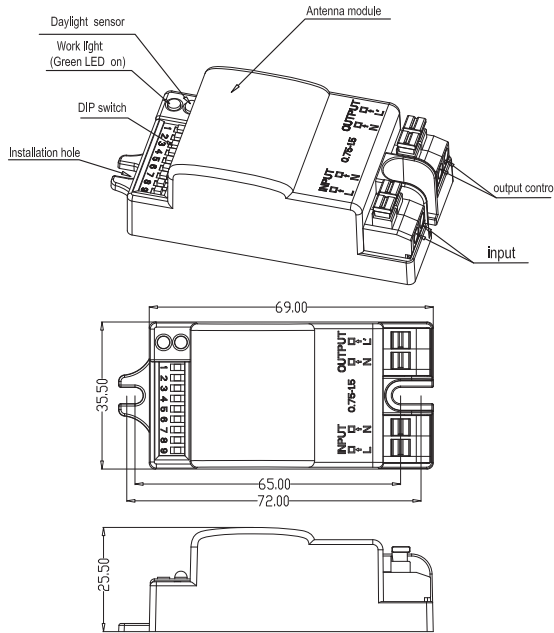
50lux, 30lux: Twilight operation; 10lux, 5lux: darkness operation only. Note that daylight sensor is active only when lamp totally switches off.

ON ↑		5	6	
	I	ON	ON	50%
	II	-	ON	30%
	III	ON	-	20%
IV	-	-	10%	

Standby Dimming Level

The low light level you would like to have after the hold time in the long absence of people.

MICROWAVE MOTION SENSOR ON/OFF SENSOR



Operating Voltage	120-277VAC, 50Hz
Rated Load	400W@277VAC 200W@120VAC (Inductive) 800W@277VAC 400W@120VAC (Resistive)
HF System	5.8GHz±75MHz, ISM Wave Band
Transmitting Power	<0.5mW
Power Consumption	≤1W (Stand-by)
Detection Zone	Max. (DxH): 12m x 6m
Detection Sensitivity	10%/25%/50%/75%/100%
Hold Time	5s/30s/90s/3min/20min/30min
Daylight Sensor	2lux/10lux/25lux/50lux/Disable
Mounting Height	6m Max
Motion Detection	0.5~3m/s
Detection Angle	150° Wall Installation, 360° Ceiling Installation
Operating Temperature	-35°C~70°C
IP Rating	IP20

SETTING THE MICROWAVE MOTION SENSOR ON/OFF SENSOR

By selecting the combination on the DIP switches, sensor data can be precisely set for each specific application.

ON ↑ []		1	2	3	
	I	ON	ON	ON	100%
	II	-	ON	ON	75%
	III	ON	-	ON	50%
	IV	-	-	ON	25%
V	-	-	-	10%	

Detection Area

Detection area can be reduced by selecting the combination on the DIP switches to fit precisely each application.

ON ↑ []		4	5	6	
	I	ON	ON	ON	5s
	II	-	ON	ON	30s
	III	ON	-	ON	90s
	IV	-	-	ON	3min
	V	ON	ON	-	20min
VI	-	-	-	30min	

Hold Time

Refers to the time period the lamp remains at 100% illumination after no motion is detected.

ON ↑ []		7	8	9	
	I	ON	ON	ON	2lux
	II	ON	ON	-	10lux
	III	-	ON	-	25lux
	IV	ON	-	-	50lux
V	-	-	-	Disable	

Daylight Sensor

The sensor can be set to only allow the lamp to illuminate below a defined ambient brightness threshold. When set to disable mode, the daylight sensor will switch on the lamp when motion is detected regardless of ambient light level.
50lux, 30lux: Twilight operation; 10lux, 5lux: darkness operation only.