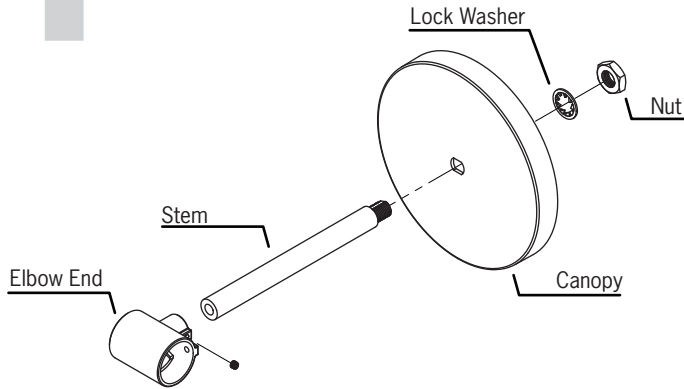


INSTALLATION PROCEDURES

- Please read all instructions prior to installation.
- Product should be installed by a qualified electrician.
- Prior to installation, please test all tapelight components to ensure no damage has occurred during shipment and layout materials to check bill of material.
- In hardwire applications, ensure power is off at fuse box to prevent electrical shock.

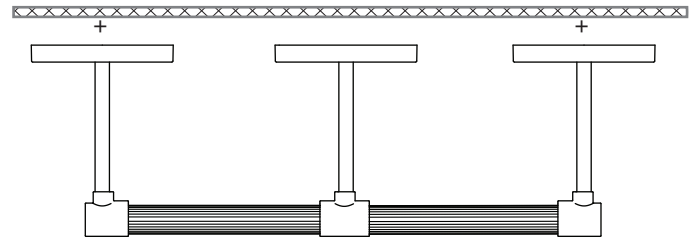
1

First, assemble both elbow kits, including stem and canopy cover.



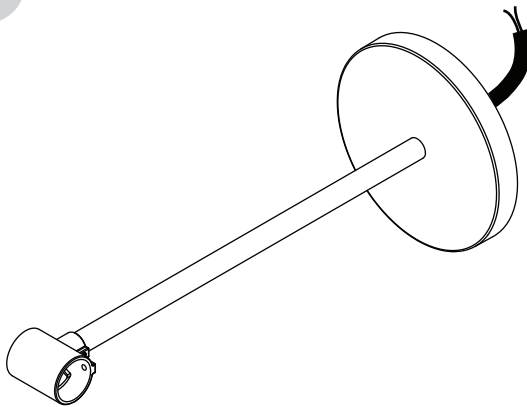
2

Mark mounting plate locations. Mock-up both end canopies, and middle support canopy (if needed), to confirm mounting locations.



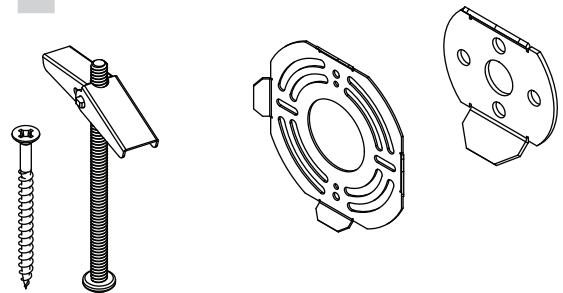
3

On the power feed side, run input connector through elbow assembly. Be sure to leave extra slack at the elbow end.



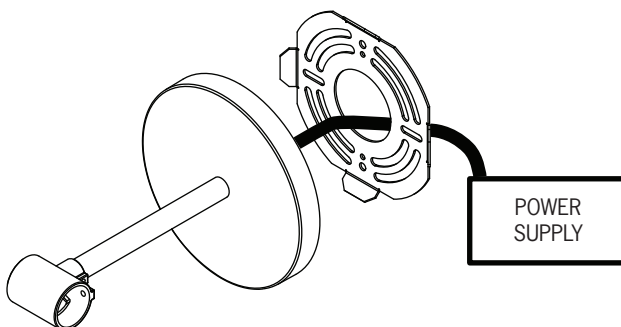
4

Next, attach both mounting plates to the finished surface (hardware is included).



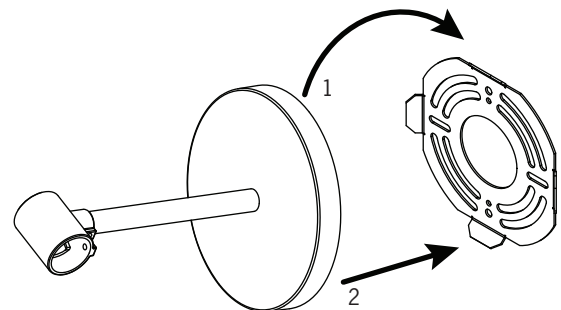
5

For the power feed side, plug in the input connector from the back of the canopy to the remote 12V power supply. Please reference the tapelight installation instructions for additional details.

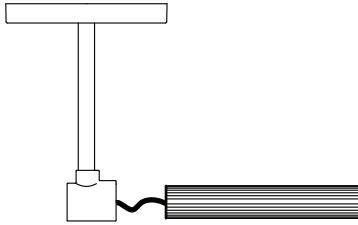


6

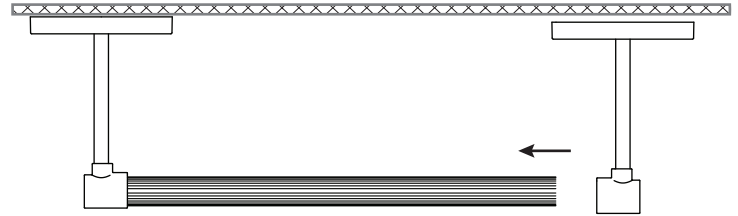
Attach power feed canopy assembly to the mounting plate by hooking the top of the canopy over the top of the mounting plate and then push down the bottom of the canopy over the lower mounting tab. DO NOT add lower set screw to the canopy.



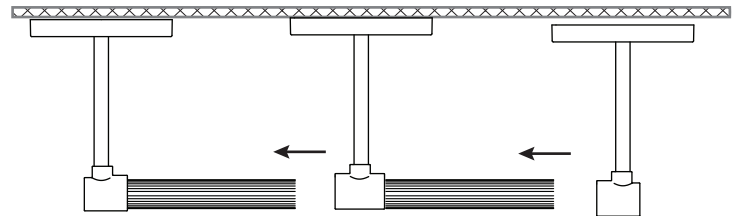
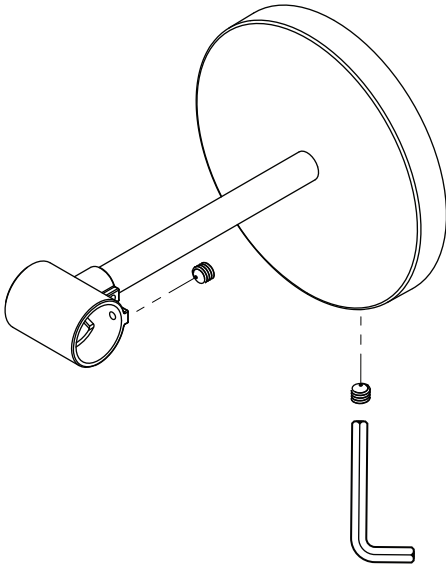
7 Slide in round extrusion with tapelight in place*. Plug in input connector to end of tape. If necessary, pull excess wire from behind mounting plate.
*Reference tapelight instructions for mounting tapelight.



8 Next, slide non-power feed end onto the round extrusion and then attach to the mounting plate (refer to step 5). You may need to lift the power feed canopy at the same time. Depending on length, this may require an extra person.



9 Finally, adjust the round extrusion to the desired angle of rotation and tighten the set screw on the elbow end. Lock in the set screw on the bottom of the canopy.



Middle Support Example

IMPORTANT SAFETY INSTRUCTIONS:

- Read all the instructions before installation. Save instructions for later use.
- Turn off power at fuse or circuit breaker box before installation or before doing any maintenance work.
- Product must be grounded to avoid potential electric shock and any other potential hazards.
- Product must be mounted in locations and at heights and in a manner consistent with its intended use, and in compliance with National Electrical Code and local codes. Use of accessory equipment is not recommended.
- Installing contrary to instructions may cause unsafe conditions.
- Do not block light from the trim aperture, in whole or in part, as this may cause unsafe conditions.
- **Warning:** Risk of fire. Most dwellings built before 1985 have supply wire rated at 60°C. Consult a qualified electrician before installation.
- To avoid hazards to children, account for all parts and properly dispose of all packing materials.
- Call the Technical Support department at ConTech Lighting with any installation questions: 847.559.5500.