

# INSTALLATION INSTRUCTIONS | VC FM or LSM/HSM Series: E26 Vintage RLM Flush or Stem Mount Luminaires

The important safeguards and instructions in this manual are not meant to cover all possible conditions and situations that may occur.

**Note:** Before attempting installation please refer to your local electrical code.

Refer to product label markings for environmental location (indoor and/or outdoor use).

## IMPORTANT SAFETY INSTRUCTIONS:

- Read all the instructions before installation. **SAVE THESE INSTRUCTIONS FOR LATER USE.**
- Product should be installed by a Qualified Electrician.
- All electrical connections must be in accordance with local and National Electrical Code (NEC) standards. If you are unfamiliar with proper electrical wiring connections, obtain the services of a qualified electrician.
- Before starting the installation, make sure all electricity has been turned off and electrical breaker has been locked out and tagged out. Turning the power off at the light switch is not sufficient to prevent electrical shock.
- Product must be grounded to avoid potential electric shock and any other potential hazards.
- Product must be mounted in locations and at heights and in a manner consistent with its intended use, and in compliance with National Electrical Code and local codes. Use of accessory equipment is not recommended.
- Do not mount near gas or electric heaters.
- Equipment should be mounted in locations and at heights where it will not readily be subject to tampering by unauthorized personnel.
- **WARNING: RISK OF SHOCK**
  - Turn off the power at fuse or circuit breaker box before installation or maintenance work.
  - Wear rubber soled shoes and work on a sturdy wooden or non-conductive ladder.
  - Ground the fixture to avoid potential electric shocks and to ensure reliable starting.
  - Double check all connections, making sure they are tight and correct.
- **WARNING: RISK OF FIRE**
  - Most dwellings built before 1985 have supply wire rated at 60°C
  - Supply conductors (power wires) connecting the fixture must be rated at minimum of 90°C
  - Consult a qualified electrician before installation
- Installing contrary to instructions may cause unsafe conditions.
- If the product has any visible damage do not install it.
- To avoid hazards to children, account for all parts and properly dispose of all packing materials.
- Call the Technical Support department at ConTech Lighting with any installation questions: 847.559.5500.

## SUPPLY LIST

### PARTS LIST:

- Shade Assembly
- Gasket
- Flange or Sloped Ceiling Adapter
- 6, 12, 24 or 36 Inch Stem
- 1/8 Inch Allen Wrench/Hex Key (FM and LSM Series only)

### TOOLS REQUIRED:

- Adjustable Pliers
- Phillips Screwdriver

### OPTIONAL SUPPLIES:

- RTV Sealant and Teflon™ Tape for Outdoor Applications

## PREPARATION

**NOTE:** Flush Mount and Fixed Stem Mount configurations are rated for Wet Location (Covered Ceiling only)  
Sloped Ceiling Mount configuration is rated ONLY for Dry or Damp Locations

CONTINUED

# INSTALLATION INSTRUCTIONS | VC FM or LSM/HSM Series: E26 Vintage RLM Flush or Stem Mount Luminaires

The important safeguards and instructions in this manual are not meant to cover all possible conditions and situations that may occur.

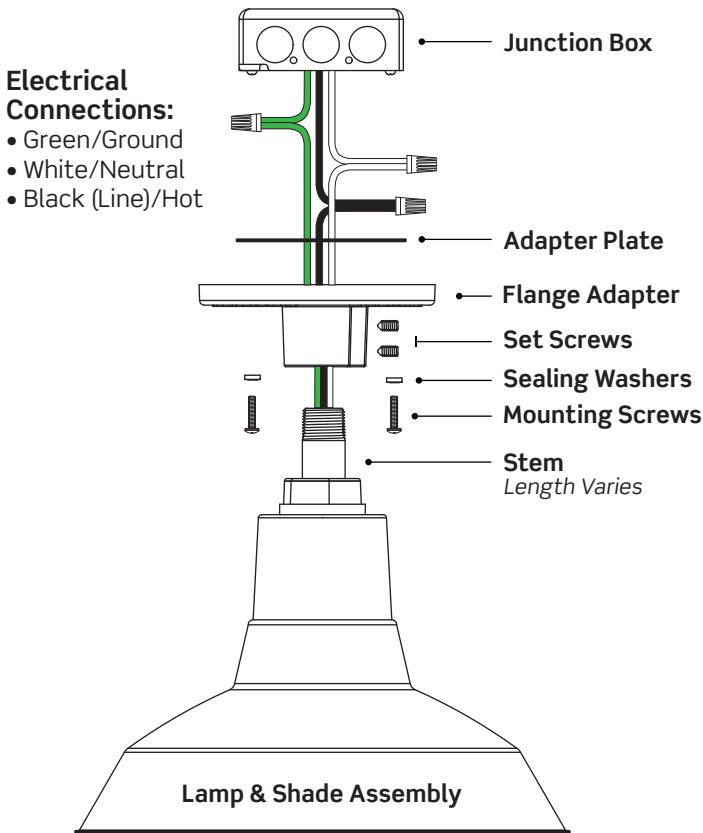
**Note:** Before attempting installation please refer to your local electrical code.

Refer to product label markings for environmental location (indoor and/or outdoor use).

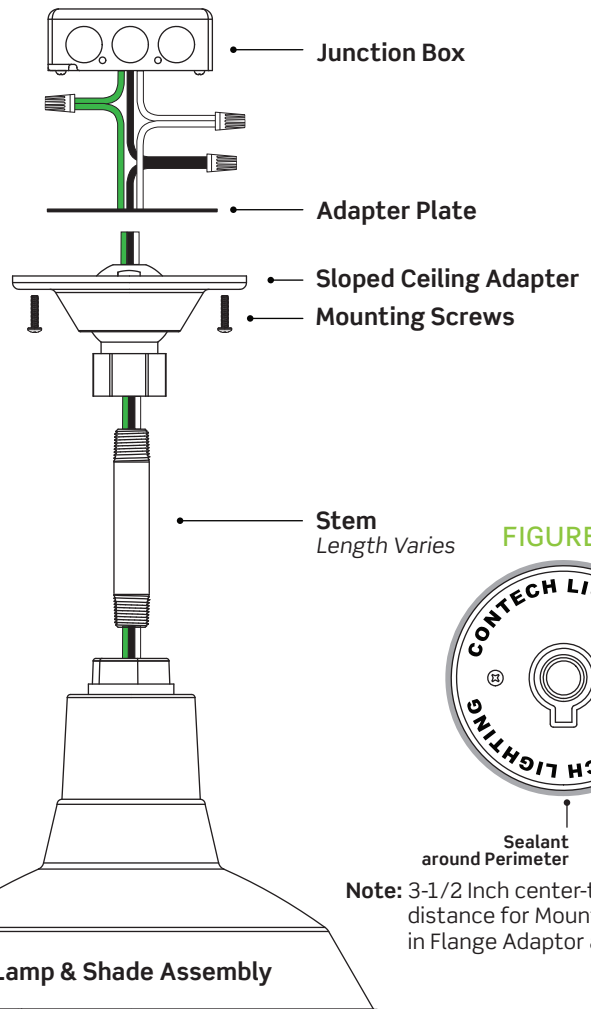
## INSTALLATION

- Ensure E26 Lamp Base Assembly is securely applied to Shade; tighten upper Shade Nut if necessary
- Route Wires through Stem
- Apply Teflon Tape to threaded end of Stem
- Screw threaded end of Stem to Shade Nut
- Screw opposite threaded end to Flange Adapter and tighten Set Screws (FIGURE 1) or Sloped Ceiling Adapter (FIGURE 2)
- Attach Black Line/Hot Wire to Black Wire, White Neutral Wire to White Wire and Green Ground Wire to Green Wire with Wire Nuts
- Attach Stem Assembly with Flange Adapter (FIGURE 1) or Sloped Ceiling Adapter (FIGURE 2) to Junction Box
- Apply power to Luminaire and test for operation
- Wet Location/Outdoor installations require RTV Sealant around the perimeter of the Flange Adapter (FIGURE 3), and need to be installed on covered ceilings only; Sloped Ceiling configuration is only rated for Dry or Damp locations.

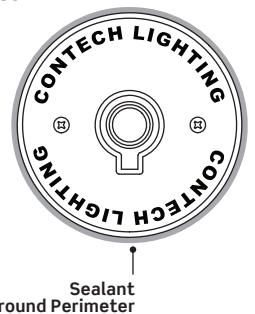
**FIGURE 1**  
Flush Mount and  
Fixed Stem Mount Configurations



**FIGURE 2**  
Sloped Ceiling Configuration



**FIGURE 3**



**Note:** 3-1/2 Inch center-to-center distance for Mounting Holes in Flange Adaptor and Cover