

## INSTALLATION INSTRUCTIONS | VC FC Series: LED Vintage RLM Flexible Cord Luminaires

The important safeguards and instructions in this manual are not meant to cover all possible conditions and situations that may occur.

**Note:** Before attempting installation please refer to your local electrical code.

Refer to product label markings for environmental location (indoor and/or outdoor use).

### IMPORTANT SAFETY INSTRUCTIONS:

- Read all the instructions before installation. **SAVE THESE INSTRUCTIONS FOR LATER USE.**
- Product should be installed by a Qualified Electrician.
- All electrical connections must be in accordance with local and National Electrical Code (NEC) standards. If you are unfamiliar with proper electrical wiring connections, obtain the services of a qualified electrician.
- Before starting the installation, make sure all electricity has been turned off and electrical breaker has been locked out and tagged out. Turning the power off at the light switch is not sufficient to prevent electrical shock.
- Product must be grounded to avoid potential electric shock and any other potential hazards.
- Product must be mounted in locations and at heights and in a manner consistent with its intended use, and in compliance with National Electrical Code and local codes. Use of accessory equipment is not recommended.
- Do not mount near gas or electric heaters.
- Equipment should be mounted in locations and at heights where it will not readily be subject to tampering by unauthorized personnel.
- **WARNING: RISK OF SHOCK**
  - Turn off the power at fuse or circuit breaker box before installation or maintenance work.
  - Wear rubber soled shoes and work on a sturdy wooden or non-conductive ladder.
  - Ground the fixture to avoid potential electric shocks and to ensure reliable starting.
  - Double check all connections, making sure they are tight and correct.
- **WARNING: RISK OF FIRE**
  - Most dwellings built before 1985 have supply wire rated at 60°C
  - Supply conductors (power wires) connecting the fixture must be rated at minimum of 90°C
  - Consult a qualified electrician before installation
- Installing contrary to instructions may cause unsafe conditions.
- If the product has any visible damage do not install it.
- To avoid hazards to children, account for all parts and properly dispose of all packing materials.
- Call the Technical Support department at ConTech Lighting with any installation questions: 847.559.5500.

### SUPPLY LIST

#### PARTS LIST:

- Shade and Light Engine Assembly
- Driver Compartment with Driver
- Driver Compartment Cover
- Corded Pendant Mount Cover

#### TOOLS REQUIRED:

- Adjustable Pliers
- Phillips Screwdriver

#### OPTIONAL SUPPLIES:

- Two (2) 1/4 Inch Lag Screws
- 1/2 Inch Trade Size Male Conduit Connector
- RTV Sealant for Outdoor Applications

CONTINUED

# INSTALLATION INSTRUCTIONS | VC FC Series: LED Vintage RLM Flexible Cord Luminaires

The important safeguards and instructions in this manual are not meant to cover all possible conditions and situations that may occur.

**Note:** Before attempting installation please refer to your local electrical code.

Refer to product label markings for environmental location (indoor and/or outdoor use).

## PREPARATION

### DETERMINE ELECTRICAL SUPPLY CONNECTION

- Flush Mounted Junction Box
- Exposed EMT (Electric Metallic Tube) Conduit
- Rigid or IMC (Intermediate Metal Conduit)
- Daisy Chain

#### Electrical Connections:

- Green/Ground
- White/Neutral
- Black (Line)/Hot

#### 0-10V Dimming Wires:

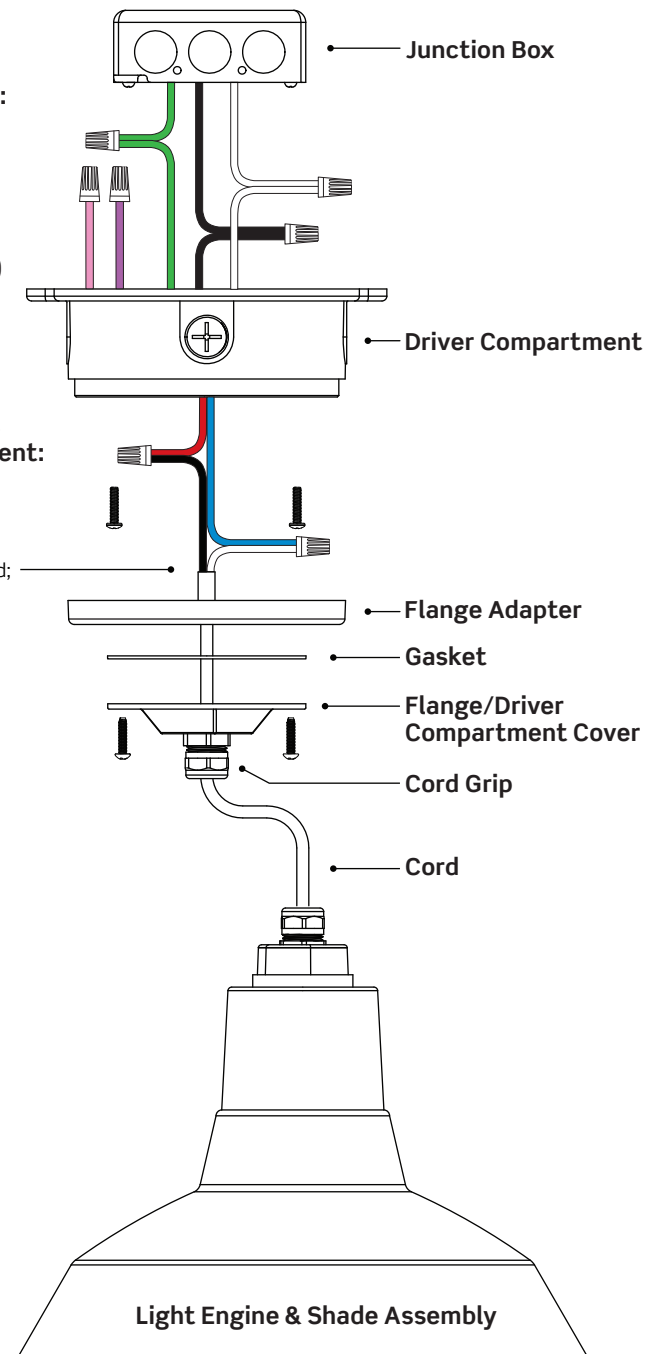
- Purple/Positive (+)
- Pink or Gray/Negative (-)

#### Electrical Connections from Driver Compartment:

- Black Wire to Red Wire
- White Wire to Blue Wire

Cut excess Cord from this end; re-tighten Cord Grip

**FIGURE 1**



CONTINUED

# INSTALLATION INSTRUCTIONS | VC FC Series: LED Vintage RLM Flexible Cord Luminaires

The important safeguards and instructions in this manual are not meant to cover all possible conditions and situations that may occur.

**Note:** Before attempting installation please refer to your local electrical code.  
Refer to product label markings for environmental location (indoor and/or outdoor use).

## PREPARATION

- Ensure light engine is securely applied to shade; tighten upper Shade Nut if necessary
- To shorten Cord, loosen Cord Grip Nut attached to Flange/Driver Compartment Cover and cut Cord to desired length; strip new end of Cord wire
- Re-tighten Cord Grip Nut
- Re-attach Cord to Wire Pig Tail from Driver with Wire Nuts: Blue Cord Wire to Black Pig Tail Wire, Red Cord Wire to White Pig Tail Wire (Fig. 1)

## INSTALLATION



### FLUSH MOUNTED JUNCTION BOX

#### ELECTRICAL CONNECTION

1. Remove screws securing LED Driver
2. Extend incoming Supply Wires through center hole of Driver Compartment and route around LED Driver
3. Secure Driver Compartment to Flush Mounted Junction Box and/or Ceiling using Lag Bolts through external ears of Driver Compartment
4. Attach Black Line/Hot Wire to Connector with Black Wire, White Neutral Wire to Connector with White Wire and Green Ground Wire to Connector with Green Wire with Wire Nuts
5. Re-install LED Driver to Driver Compartment

#### DAISY CHAIN WIRE CONNECTION

1. Remove Black, White and Green wire pig tails from 3-Wire Connector by rotating while pulling
2. Insert Solid Wires into Supplied Wire Connectors: Black Line/Hot Wire to Connector with Black Wire, White Neutral Wire to Connector with White Wire and Green Ground Wire to Connector with Green Wire

#### DIMMING (OPTIONAL)

1. Attach Purple Wire of LED Driver to DIM (+) with Wire Nut and Pink/Gray Wire of LED Driver to DIM (-) with Wire Nuts



### EXPOSED EMT (ELECTRIC METALLIC TUBE) CONDUIT and RIGID/IMC (INTERMEDIATE METAL CONDUIT)

1. Determine orientation of Driver Compartment to incoming supply
2. Remove appropriate Conduit Plug on Driver Compartment (Fig. 2)

**NOTE:** Powder Coated Conduit Plug may require the coating to be broken loose to un-thread the plug. Tap a flat head screwdriver with a hammer counterclockwise on conduit plug to break seal.

3. Thread Conduit Connector into Driver Compartment

**NOTE:** For RIGID/IMC CONDUIT, it may be necessary to unsecure the conduit from the structure to allow the Driver Compartment clearance to rotate

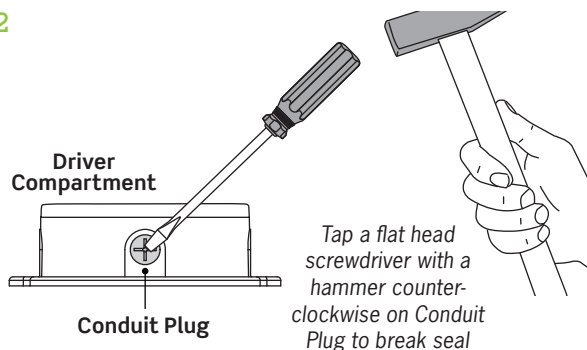
4. Extend incoming Supply Wires through Conduit Connector and route around LED Driver
5. Secure Driver Compartment to structure or wall
6. Attach Black Line/Hot Wire to Connector with Black Wire, White Neutral Wire to Connector with White Wire and Green Ground Wire to Connector with Green Wire with Wire Nuts

#### DIMMING (OPTIONAL)

1. Attach Purple Wire of LED Driver to DIM (+) with Wire Nut and Pink/Gray Wire of LED Driver to DIM (-) with Wire Nuts

**NOTE:** For Outdoor (Wet Location) installations, if Conduit Plug is removed and reinstalled, it MUST be sealed with RTV Silicone Sealant

FIGURE 2



## INSTALLATION INSTRUCTIONS | VC FC Series: LED Vintage RLM Flexible Cord Luminaires

The important safeguards and instructions in this manual are not meant to cover all possible conditions and situations that may occur.

**Note:** Before attempting installation please refer to your local electrical code.

Refer to product label markings for environmental location (indoor and/or outdoor use).

### FINISHING INSTALLATION

- If not already attached, secure Driver Compartment to Junction Box or Ceiling
- For added security, install Lag Bolts through external ears of Driver Compartment
- For Conduit Installations, tighten Compression Nut on Conduit Connector
- Confirm that Flexible Pendant Cord is attached to Pig Tail Wires from Driver (Fig. 1)
- Attach Flange Adapter and Flange/Driver Compartment Cover to Driver Compartment
- Apply power to Luminaire and test for operation
- Outdoor (Wet Location) installations require RTV Sealant around the entire perimeter of the Driver Compartment (Fig. 3), and need to be installed on covered ceilings only

**FIGURE 3**

