

INSTALLATION INSTRUCTIONS | Slim Downlight Series: Round Adjustable

The important safeguards and instructions here are not meant to cover all possible conditions and situations that may occur.

IMPORTANT SAFETY INSTRUCTIONS:

- **WARNING: RISK OF FIRE AND ELECTROCUTION**
- **WARNING: TO AVOID FIRE, SHOCK OR DEATH**, disconnect power at circuit breaker before installing or servicing device
- **READ AND SAVE THESE INSTRUCTIONS FOR LATER USE**
- Product should be installed by a qualified electrician
- All electrical connections must be in accordance with local and National Electrical Code (NEC) standards. If you are unfamiliar with proper electrical wiring connections, consult an electrician.
- Product must be grounded to avoid potential electric shock and any other potential hazards
- Product must be mounted in locations and at heights and in a manner consistent with its intended use, in compliance with National Electrical Code and local codes and where it will not readily be subject to tampering by unauthorized personnel
- This device is not intended for use with emergency exits
- Do not open the Slim Downlight; there are no serviceable parts inside. Any changes or modifications can void the warranty.
- Do not exceed the input rating of the luminaire
- Connect to a 120V 60Hz power source only; any other connection will void the warranty
- To prevent damage to the wiring, do not expose wiring to edges of sheet metal or other sharp objects
- Wear rubber soled shoes and work on a sturdy wooden or non-conductive ladder
- Ground the fixture to avoid potential electric shocks and to ensure reliable starting
- Double check all connections and screws, ensuring they are tight and correct
- Most dwellings built before 1985 have supply wire rated at 60°C
- Supply conductors (power wires) connecting the fixture must be rated at minimum of 90°C
- Installing contrary to instructions may cause unsafe conditions
- If the product has any visible damage do not install it
- Call the Technical Support department at ConTech Lighting with any installation questions: 847.559.5500

INSTALLATION PROCEDURE

FIGURE 1

- Use the template (included) to mark and cut the opening in the ceiling

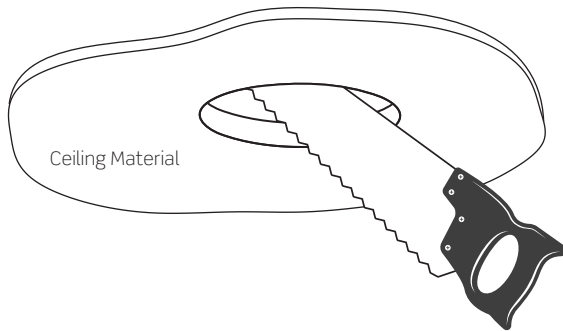


FIGURE 2

- Remove the Junction Box knock-outs for wiring and open the Junction Box
- The Junction Box contains three (3) Wires: Hot (black), Neutral (white) and Ground (green)
- Connect Supply Wires to Junction Box Wires; ALWAYS SPLICE BLACK TO BLACK (hot to hot) and WHITE TO WHITE (neutral)
- Connect the Ground (green) Wire to Ground (bare copper) Wire in the Junction Box; replace Cover

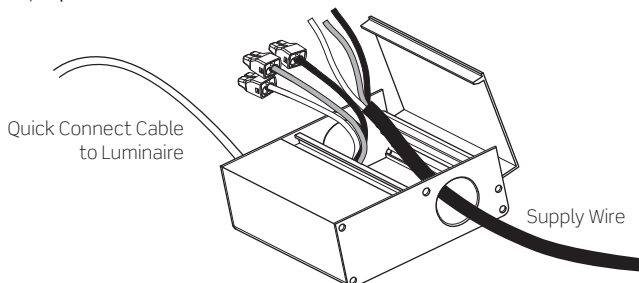
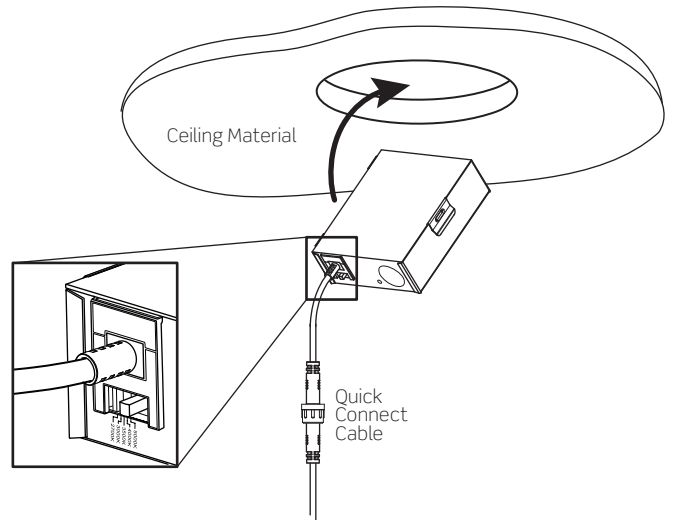


FIGURE 3

- Connect downlight to junction box with the quick-connect cable
- Select the Color Temperature (CCT) using the 5CCT Switch on the Junction Box
- Place Junction Box into ceiling



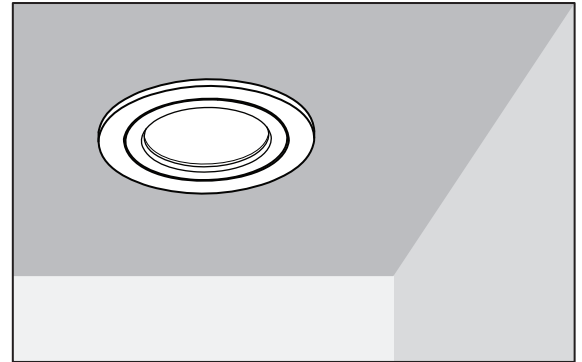
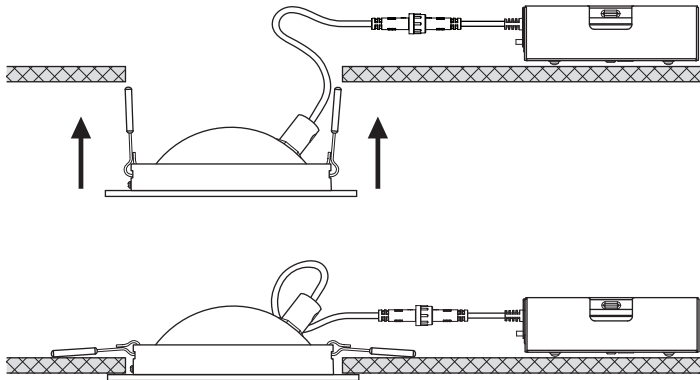
CONTINUED

INSTALLATION INSTRUCTIONS | Slim Downlight Series: Round Adjustable

The important safeguards and instructions here are not meant to cover all possible conditions and situations that may occur.

FIGURE 4

- Push the “Easy Mount” clips up on the luminaire
- Insert downlight into ceiling and release clips to secure downlight in ceiling
- Once installed, the downlight may be aimed by pressing up on the inner bezel then tilting and rotating the light engine



INSTALLATION PROCEDURE FOR OPTIONAL MOUNTING PLATE ACCESSORY

- The New Construction Plate can be used to provide extra support for a variety of sizes (4- and 6- inch)
- Select the luminaire hole size by matching the luminaire to the rings on the frame kit
- Select the ring that is slightly smaller than the outer diameter of the fixture
- Using a pair of cutters, cut the ring out that corresponds to the luminaire being installed

FIGURE 1: CEILING JOIST INSTALLATION

- Lay the frame kit on the ceiling joist in the desired location and secure to joists
- NOTE:** Allow enough space for the Junction Box mounted on the Mounting Plate

