

RL20L-ICSA/RF4L1

4" Dedicated LED New Construction StopAire IC Rated Housing with LED Trim Module

Specifications/Features

Housing/Mounting

New construction 4" housing with LED module dedicated luminaire disconnect, air-tight for insulated ceilings.

Intended for ceiling thickness from 1/2" - 1-1/2".

Aluminum and galvanized steel construction.

Dual Extension bars adjustable for 16" and 24" center joists (14-1/4" to 24-1/2"). Nail bar hangers are included with housing. Hanger bars may be extended to rest on T-bar ceilings. Optional clip-on T-bar hangers also available. Housing includes male IDEAL Powerplug® model 182 luminaire connector for connection to LED trim module.

Prewired junction box with convenient screwdriver pry-outs:

(6) 1/2", (1) 1/2" x 3/4" concentric and (4) Romex knockouts.

Spring-latch access plates.

Quick-connect push-in wire connectors provided. Approved for through-circuit wiring. Max: (8) #12 AWG (4 in/4 out).

Input Voltage: 120V AC

Max. wattage: 13W

LED Module

Optical acrylic diffusion lens produces high lumen transmission and even illumination.

Multiple LED chips with excellent fixture-to-fixture color consistency.

13W, 800 Delivered Lumen output.

Available in 2700K and 3000K color temperatures, 90 CRI.

Direct 120VAC design – no driver needed providing for a smaller, lighter design with less components.

Designed and rated for 50,000 hours at 70% lumen maintenance.

LED module reflector and trim ring are integral and fabricated of heavy gage aluminum. The reflector is available in matte white or platinum haze finish. Both reflector options include the trim ring in matte white.

Friction clips secure module in housing.

Module includes female IDEAL Powerplug® model 182 luminaire connector for connection to housing.

Dimming

Triac and ELV

Warranty

This fixture is covered by ConTech's full five year replacement guarantee after date of purchase.

Listing

LED Module: cETLus listed to UL standards. Suitable for use in wet locations.

EnergyStar certified.

Housing: cULus listed

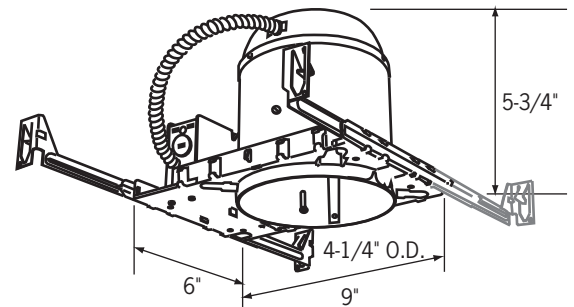
Conforms to Washington State Energy code (WSEC) for low air infiltration.

Tested in accordance with ASTM E283 (2.0CFM or less).

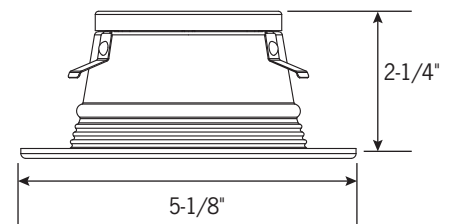
Approved Dimmers

Lutron: CTCL-153P, DV-603-P, DV-CL153P, MACL-153M, SELV-300P

Leviton: 6631, 6674, VP106



Ceiling Opening: 4-3/8"
Ceiling Thickness: 1/2" – 1-3/4"



Ordering Information

Example Order:

Housing*

RL20L-ICSA

LED Module*

RF4L127KCE-PL - 4" 13W, 2700K, 90 CRI, Platinum Haze Reflector/White Trim Ring
RF4L127KCE-WHT - 4" 13W, 2700K, 90 CRI, White Reflector/White Trim Ring
RF4L130KCE-PL - 4" 13W, 3000K, 90 CRI, Platinum Haze Reflector/White Trim Ring
RF4L130KCE-WHT - 4" 13W, 3000K, 90 CRI, White Reflector/White Trim Ring

*NOTE: Housing and Module are ordered as separate line items