

CEILING MOUNT INSTALLATION INSTRUCTIONS

Before attempting installation please refer to your local electrical code.

Fixture is designed to mount flush to ceiling surface.

1. Detach the cylinder mounting plate from the fixture by twisting the mounting plate clockwise and up.
2. Attach the mounting plate to existing junction box in ceiling.
3. Attach cylinder tether to canopy to assist in wiring support. (Figure 1)
4. Follow the wiring diagram from Figure 2 for the appropriate electrical/dimming option.
5. Carefully feed any excess wire into junction box to avoid pinching wires.
6. Reattach cylinder to canopy by twisting into position.

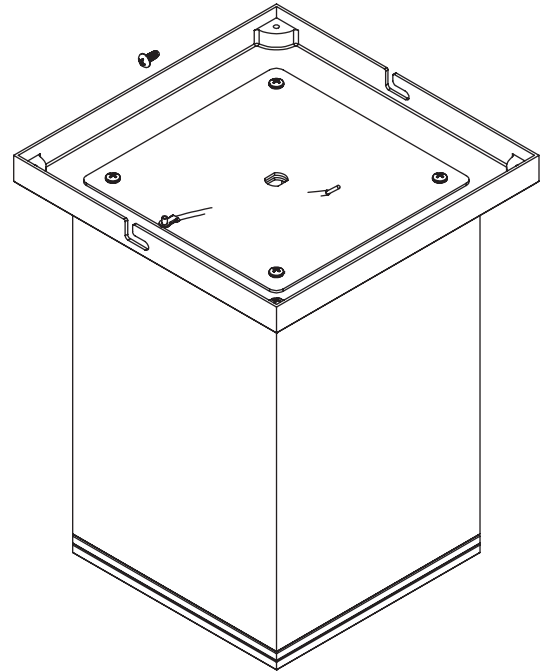
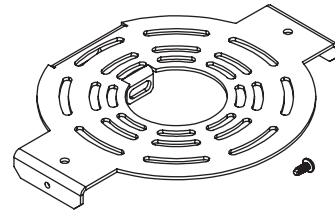
IMPORTANT SAFETY INSTRUCTIONS:

- Read all the instructions before installation. Save instructions for later use.
- Turn off power at fuse or circuit breaker box before installation or before doing any maintenance work.
- Product must be grounded to avoid potential electric shock and any other potential hazards.
- Product must be mounted in locations and at heights and in a manner consistent with its intended use, and in compliance with National Electrical Code and local codes. Use of accessory equipment is not recommended.
- Installing contrary to instructions may cause unsafe conditions.
- Do not block light from the trim aperture, in whole or in part, as this may cause unsafe conditions.
- Warning: Risk of fire. Most dwellings built before 1985 have supply wire rated at 60°C. Consult a qualified electrician before installation.
- Avoid hazards to children: account for all parts and properly dispose of all packing materials.
- Call the Technical Support department at ConTech Lighting with any installation questions: 847.559.5500.

WARRANTY:

- Energy Star products are covered for three (3) years by a full replacement guarantee after date of installation. In addition, ConTech LED products carry a five (5) year limited warranty from date of purchase.

1



2

120V Triac/ELV Dimming or
120-277V 0-10V Dimming

