

# CTL1216TL

## LED Compatible Closed Back Track Fixture

### Specifications/Features

#### Fixture

LED compatible track fixture.  
Simple styling; durable die-cast aluminum construction.  
Closed back MR16 bullet design for front lamp replacement.  
Adjustable to 180° horizontal rotation; 180° vertical rotation.

#### Lamp

(1) 50W MR16 Lamp or (1) MR16 LED Lamp, GU5.3 Base  
This fixture can be used with a variety of MR16 LED Lamps. However, with the variances in these lamps, ConTech Lighting cannot be responsible, nor guarantee, that all MR16 LED lamps are universally compatible.  
On fixtures designed for use with MR16 lamps, ConTech Lighting provides a clear, tempered safety glass. This safety glass should only be used with open MR16 lamps, and not used with MR16 lamps that contain an integral glass lens.

#### Electrical

Electronic Transformer  
Input: 120V / 60Hz  
Output: 12V  
Rated Lamp Load: 2.5W min. to 60W max.

#### Dimming

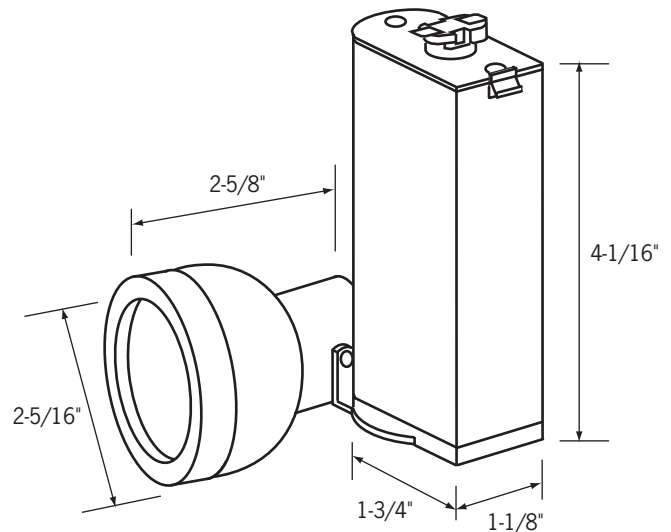
Dimmable to 10% with an electronic low-voltage (ELV) dimmer. Dimming performance may vary due to field conditions, including but not limited to, power quality, installation and wiring, and variations in dimmer production. Please reference the dimmer manufacturer's instructions for dimmer installation and further information.

#### Warranty

This fixture is covered by ConTech's full one (1) year replacement guarantee after date of purchase.

#### Listing

cULus listed. Suitable for dry locations.



### Ordering Information

Example Order:  -

Fixture

**CTL1216TL**

Finish

**B** - Black  
**P** - White

Accessories\*

**LF16** - **A, B, CL, G, LB, R, RO, Y, 73, LS, SL, UV**  
Tempered glass lenses

**FA-16** - Honeycomb Louver

**LA-816** - Black Snoot

*Color/Pattern Legend*

**-A** (Amber), **-B** (Blue), **-CL** (Clear), **-LB** (Light Blue), **-R** (Red), **-RO** (Rose), **-Y** (Yellow), **-73** (Spread Lens), **-LS** (Linear Spread Lens), **-SL** (Soft Light), **-UV** (Optivex UV Filter)

\*Do not use accessories with LED lamp.