

CTL2240

PAR38 Compact Round Back Cylinder Line Voltage Track Fixture

Specifications/Features

Fixture

Round back design gives a softer look. Ideal for accent lighting in retail, commercial, or residential settings. Deep, black phenolic baffle to conceal lamp and provide glare control. Integral ON/OFF switch and track polarity indicator are standard. Fixture will accept (1) LF40 lens, (1) LA-39 egg crate louver or BD40 barn doors by using the FA-40 accessory holder.

Lamp

(1) 150W PAR38 Lamp (max.), 120V, E26 medium base.

Warranty

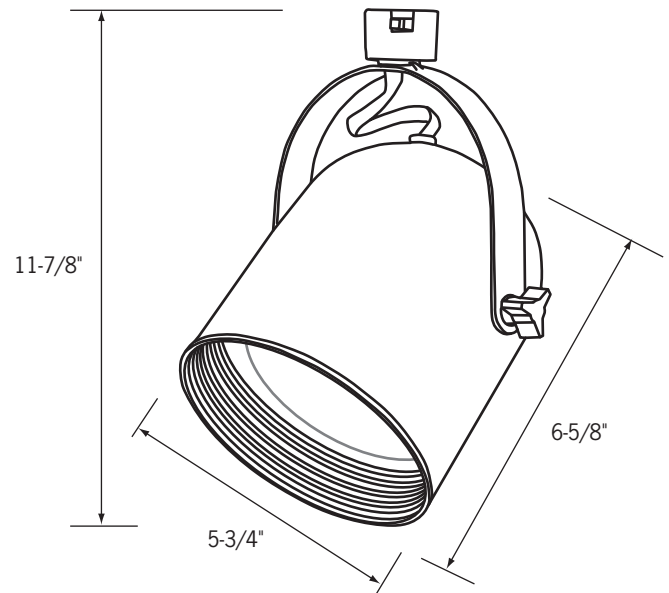
This fixture is covered by ConTech's full one (1) year replacement guarantee after date of purchase.

Listing

cCSAus Certified. Suitable for dry locations.

Fixture Compatibility

Standard ConTech track fixtures are cCSAus certified as-is for use with ConTech's many track systems, as well as with Juno^{®1} Lighting track. By changing the prefix in the part number, ConTech can install inserts which make our fixtures compatible with other manufacturers. Replace "CTL" with "HTL" for Halo^{®2} track and "LTL" for Lightolier^{®3} track. For more information, please consult our factory.



Ordering Information

Example Order: —

Track System	Fixture	Finish	Accessory Holder	Accessories
<input type="text"/>	<input type="text"/>	<input type="text"/>	<input type="text"/>	<input type="text"/>
CTL - ConTech HTL - Halo LTL - Lightolier	2240	B - Black P - White	FA-40-(B, P, S)	LF40 - A, B, CL, G, LB, R, RO, Y, 73, LS, SL, UV 5-7/16" Dia. tempered glass lenses LA-39-(B,P,S) - Egg-Crate Louver BD40 - Black Barn Doors

Color/Pattern Legend
-A (Amber), **-B** (Blue), **-CL** (Clear), **-G** (Green), **-LB** (Light Blue), **-R** (Red), **-RO** (Rose), **-Y** (Yellow), **-73** (Spread Lens), **-LS** (Linear Spread Lens), **-SL** (Soft Light), **-UV** (Optivex UV Filter)

1. Juno is a registered trademark of Juno Lighting
 2. Halo is a registered trademark of Cooper Lighting
 3. Lightolier is a registered trademark of Philips Lighting