

# CTL6130

## PAR30 Lampholder with Tapered Cone Line Voltage Track Fixture

### Specifications/Features

#### Fixture

Low profile molded side swivel design with "Sure-Set" precise aiming. Front relamping, short barreled tapered cone lampholder assembly is made of formed steel. Integral ON/OFF switch and track polarity indicator are standard. Will accept (1) LF30 lens or Egg Crate Louver (LA-38) by using FA-37A black accessory mounting clips. Satin Chrome finish includes black track adapter and fixture arm.

#### Lamp

(1) 75W PAR30, 120V, E26 medium base (max).  
Lamp sold separately.

#### Warranty

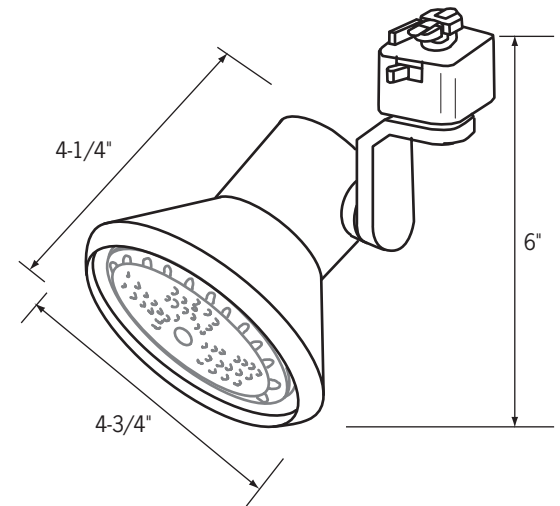
This fixture is covered by ConTech's full one (1) year replacement guarantee after date of purchase.

#### Listing

cCSAus Certified. Suitable for dry locations.

#### Fixture Compatibility

Standard ConTech track fixtures are cCSAus Certified as-is for use with ConTech's many track systems, as well as with Juno<sup>®1</sup> Lighting track. By changing the prefix in the part number, ConTech can install inserts which make our fixtures compatible with other manufacturers. Replace "CTL" with "HTL" for Halo<sup>®2</sup> track and "LTL" for Lightolier<sup>®3</sup> track. For more information, please consult our factory.



### Ordering Information

Example Order:  -

Track System	Fixture	Finish	Accessory Holder	Accessories
<input type="text"/>	<input type="text"/>	<input type="text"/>	<input type="text"/>	<input type="text"/>
<b>CTL</b> - ConTech <b>HTL</b> - Halo <b>LTL</b> - Lightolier	<b>6130</b>	<b>B</b> - Black <b>P</b> - White <b>S</b> - Silver <b>SC</b> - Satin Chrome	<b>FA-37A</b> - Black Accessory Clips, Set of (3)	<b>LF30-*</b> - 4-11/16" Dia. tempered glass lenses *A, B, CL, DPE, G, LB, R, RO, Y, 73, LS, SL, UV <b>LA-38-(B,P,S)</b> - Egg-Crate Louver

**Color/Pattern Legend**  
**-A** (Amber), **-B** (Blue), **-CL** (Clear),  
**-DPE** (Dichroic Peach), **-G** (Green), **-LB** (Light Blue), **-R** (Red), **-RO** (Rose), **-Y** (Yellow),  
**-73** (Spread Lens), **-LS** (Linear Spread Lens), **-SL** (Soft Light), **-UV** (Optivex UV Filter)

1. Juno is a registered trademark of Juno Lighting  
 2. Halo is a registered trademark of Cooper Lighting  
 3. Lightolier is a registered trademark of Philips Lighting