

CTL8038

PAR38 Saturna Line Voltage Track Luminaire

Specifications/Features

Luminaire

Elegant patented design. (Patent # D 345,616)
Die-cast aluminum housing.
Open design for cooler operation and convenient front relamping.
Steel dual-rail yoke design provides a "hi-tech", less bulky look.
Sure-Set yoke for precise aiming without tools and full 350° rotation.
Integral on/off switch and track polarity indicator are standard.
Will accept FA-40 accessory holder and one (1) LF40 lens.

Lamp/Electrical

Uses line voltage (120V) lamps for versatility and convenience.
(1) 250W max. PAR38, E26 medium base.

Warranty

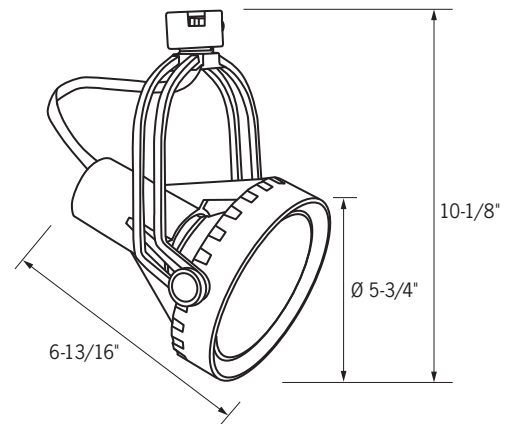
This luminaire is covered by ConTech's full one (1) year replacement guarantee after date of purchase.

Listing

cCSAus Certified. Suitable for dry locations.

Luminaire Compatibility

CTL Units are cCSAus certified as-is for use with ConTech Lighting LT/LT2 Single Circuit/Two Circuit Track Systems as well as Juno^{®1} Lighting Trac-Lites[™] (R) and Trac-Master[™] (T, TU) Track Systems. By changing the prefix in the part number, ConTech can install inserts which make our luminaires compatible with other manufacturers. Replace "CTL" with "HTL" for Halo² Power-Trac (L64, L65) and Lazer (LZR) Track Systems, "LTL" for Lightolier³ Lytespan[®] 6000/1/2 Track Systems. For more information, please consult factory.



Ordering Information

Example Order: -

Track System	Luminaire	Finish	Accessory Holder	Accessories
<input type="text"/>	<input type="text"/>	<input type="text"/>	<input type="text"/>	<input type="text"/>
CTL - Con-Tech HTL - Halo LTL - Lightolier	8038	B - Black P - White	FA-40-(B, P, S)	BD40 - Black Barn Doors <i>Black is standard finish; Natural Aluminum may be ordered by adding suffix "-U"</i> LA-39-(B, P, S) - Egg-Crate Louver LF40-* - 3-3/4" Tempered Glass Lenses

Color/Pattern Legend
-A (Amber), -B (Blue), -CL (Clear), -G (Green),
-LB (Light Blue), -R (Red), -RO (Rose),
-Y (Yellow), -73 (Spread Lens),
-LS (Linear Spread Lens), -SL (Soft Light),
-UV (Optivex UV Filter)

1. Juno is a registered trademark of Juno Lighting
2. Halo is a registered trademark of Cooper Lighting
3. Lightolier is a registered trademark of Signify