

CTL8138

PAR38 Front Relamping Gimbal Line Voltage Track Fixture

Specifications/Features

Fixture

Two-plane gimbal design permits 360° horizontal swivel and 150° adjustability in the vertical plane for excellent aiming.
 Front re-lamping with grooved baffle inserts.
 Sure-Set yoke holds the fixture firmly in place.
 Integral ON/OFF switch and track polarity indicator are standard.
 Will accept two (2) LF38 Lenses or LA-124 Louvers when used with the FA-8138 Accessory Holder.

Lamp

(1) 250W PAR38 Lamp (max.) 120V, E26 medium base.

Warranty

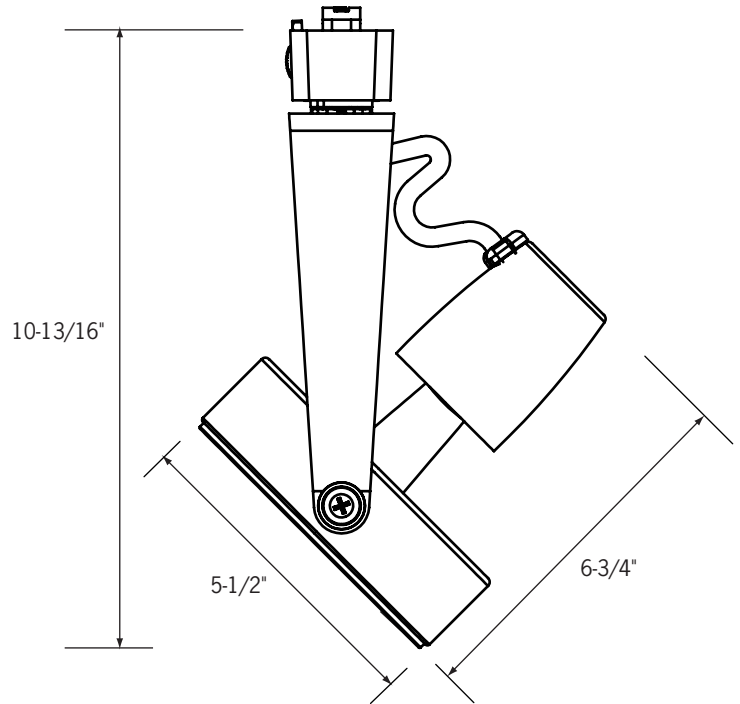
This complete fixture is covered by ConTech's full one (1) year replacement guarantee after date of purchase.

Listing

cCSAus Certified. Suitable for dry locations.

Fixture Compatibility

Standard Con-Tech track fixtures are cCSAus Certified as-is for use with Con-Tech's many track systems, as well as with Juno^{®1} Lighting track. By changing the prefix in the part number, Con-Tech can install inserts which make our fixtures compatible with other manufacturers. Replace "CTL" with "HTL" for Halo^{®2} track and "LTL" for Lightolier^{®3} track. For more information, please consult our factory.



Ordering Information

Example Order: -

Track System

CTL - ConTech
HTL - Halo
LTL - Lightolier

Fixture

8138

Finish

B - Black
P - White

Accessory Holder

FA-8138-(B,P,S)

Accessories

LF38 - A, B, CL, G, LB, R, RO, Y,
73, LS, SL, UV
 4-7/8" Dia. tempered glass lenses
LA-124 - 4-7/8" Dia. Honeycomb Louver

Color/Pattern Legend

-A (Amber), **-B** (Blue), **-CL** (Clear), **-G** (Green),
-LB (Light Blue), **-R** (Red), **-RO** (Rose), **-Y** (Yellow),
-73 (Spread Lens), **-LS** (Linear Spread Lens),
-SL (Soft Light), **-UV** (Optivex UV Filter)

1. Juno is a registered trademark of Juno Lighting
 2. Halo is a registered trademark of Cooper Lighting
 3. Lightolier is a registered trademark of Philips Lighting