

CTL838/2

PAR38 Slim Style Gimbal Line Voltage Track Fixture

Specifications/Features

Fixture

The free, unconfined look of these gimbal lamp holders make them popular for commercial, retail and residential applications. The 2-plane gimbal design permits maximum horizontal and vertical swivel for excellent aiming. "Sure-Set" yoke holds the fixture firmly in place. Integral ON/OFF switch and track polarity indicator are standard. Supplied with field-mounted accessory clips (FA-38) for use with light control accessories.

Lamp

(1) 250W PAR38 (max), E26 Medium skirted base, 120V.

Warranty

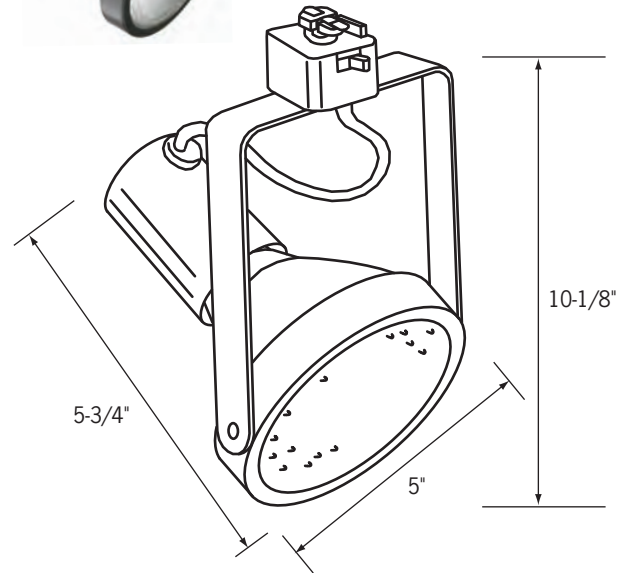
This fixture is covered by ConTech's full one (1) year replacement guarantee after date of purchase.

Listing

cCSAus Certified. Suitable for dry locations.

Fixture Compatibility

Standard ConTech track fixtures are cCSAus certified as-is for use with ConTech's many track systems, as well as with Juno^{®1} Lighting track. By changing the prefix in the part number, ConTech can install inserts which make our fixtures compatible with other manufacturers. Replace "CTL" with "HTL" for Halo^{®2} track, "LTL" for Lightolier^{®3} track, and "PTL" for Capri^{®4} track. For more information, please consult our factory.



Ordering Information

Example Order: –

Track System	Fixture	Finish	Accessories
<input type="text"/>	<input type="text"/>	<input type="text"/>	<input type="text"/>

CTL - ConTech
HTL - Halo
LTL - Lightolier
PTL - Capri

838/2

B - Black
P - White
U - Unfinished Aluminum

BD38* - Barn Doors
**Black is standard finish. Natural aluminum may be ordered by adding suffix "-U".*
LA-38-(B, P, S) - Egg-Crate Louver
LF30-(A, B, CL, G, LB, R, RO, Y, 73, LS, SL, UV)
4-11/16" Tempered glass lenses

Color/Pattern Legend
-A (Amber), **-B** (Blue), **-CL** (Clear), **-G** (Green), **-LB** (Light Blue), **-R** (Red), **-RO** (Rose), **-Y** (Yellow), **-73** (Spread Lens), **-LS** (Linear Spread Lens), **-SL** (Soft Light), **-UV** (Optivex UV Filter)

1. Juno is a registered trademark of Juno Lighting
2. Halo is a registered trademark of Cooper Lighting
3. Lightolier is a registered trademark of Philips Lighting
4. Capri is a registered trademark of Philips Lighting