

DATE

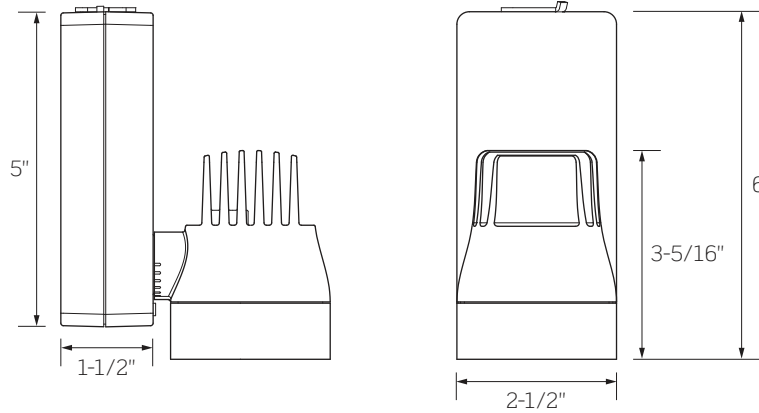
PROJECT

TYPE

# ETL806\*V | O2 Mini Vertical Housing LED Track Luminaire with 0-10V Dimming Track System Adapter



For use on existing 0-10V Dimming Track (Eutrac) installations only



	ETL8061	ETL8062	ETL8063
WATTAGE	10W	14W	20W
LUMEN OUTPUT <sup>1</sup>	1000Lm	1400Lm	1800Lm
COLOR TEMPERATURE	2700K / 3000K / 3500K / 4000K / 3000K Crisp White		
CRI	83 (80min) / 90+		
BEAM	12° Spot, 28° Medium, 39° Flood		
DRIVER INPUT WATTAGE	10W	14W	20W
DRIVER INPUT VOLTAGE			
Leading Edge (Incandescent, 120V Only)	90–135VAC, 47–63Hz		
Trailing Edge (ELV, 120V Only)	90–135VAC, 47–63Hz		
0-10V with “DB” track adapter	120V: 90–135VAC, 47–63Hz 277V: 90-305 VAC		
Triac, ELV, 0-10V DIMMING	10-100%		
LISTINGS	cCSAus Certified to UL Standards; Suitable for Dry Locations		
WARRANTY	Five (5) year replacement after date of purchase		
SYSTEM RATING	50,000 Hours @ 70% Lumen Maintenance		

1. Approximate lumen output based on 3000K performance; see photometric test results for additional information

DATE

PROJECT

TYPE

# ETL806\*V | O2 Mini Vertical Housing LED Track Luminaire with 0-10V Dimming Track System Adapter

## ORDERING INFORMATION

Luminaire	Orientation	Beam	Color Temp/CRI	Driver Option	Finish	Eutrac Adapt.	Data Bus
<b>ETL8061</b> - 10W / 1100Lm	<b>V</b> - Vertical	<b>S</b> - 12° Spot	83 (80min) CRI   90+ CRI	<b>D</b> - Triac or ELV Dimming 120V Only 0-10V Dimming with -DB option	<b>B</b> - Black <b>P</b> - White <b>S</b> - Silver	- 120V 2C/2N Leave Blank <b>27</b> - 277V 2C/2N	<b>DB</b> - Data Bus Adapt.
<b>ETL8062</b> - 14W / 1400Lm		<b>M</b> - 28° Med.	<b>27</b> - 2700K   <b>27C</b> - 2700K	<b>3</b> - 3000K   <b>3C</b> - 3000K			
<b>ETL8063</b> - 20W / 1800Lm		<b>F</b> - 39° Flood	<b>35</b> - 3500K   <b>35C</b> - 3500K	<b>4</b> - 4000K   <b>4C</b> - 4000K			
			<b>3W</b> - 3000K Crisp White	<b>N</b> - Non-Dimming 277V Only			

## ACCESSORY & REPLACEMENT OPTIC ORDERING INFORMATION

### Accessories

- BD16A** - Barn Doors
- FA-16 60MM** - 2-3/8" Dia. Black Honeycomb Louver
- FA-43-(B,P,S)** - 1" Snoot/Accessory Holder
- LF16 - \*\* 60MM** - 2-3/8" Dia. Tempered Glass Lenses; Requires FA-43 Snoot/Accessory Holder

### Replacement Optics

- 2INOPTIC-S** - Spot Optic
- 2INOPTIC-M** - Medium Optic
- 2INOPTIC-F** - Flood Optic
- 5500011** - 2-Inch Diffusion Disc

### \*\*Color/Pattern Legend

-73 (Spread Lens), -LS (Linear Spread Lens), -SL (Soft Light), -SOL (Solite), -UV (Optivex UV Filter), -A (Amber), -B (Blue), -CL (Clear), -DPE (Dichroic Peach), -G (Green), -LB (Light Blue), -R (Red), -RO (Rose), -Y (Yellow)

## PRODUCT DETAILS

### Construction

- NOTE:** The Eutrac 0-10V Dimming Track systems are discontinued. The ConTech ETL Track heads are for use **ONLY** on existing Eutrac 0-10V Dimming installations.
- Luminaires must be ordered with the -DB Data Bus Track Adapter for 0-10V dimming
- Constructed of die-cast aluminum, heat-sink and driver housing provide a sleek modern look
- Lockable, precision aiming adjustment. 360°+ aiming horizontal rotation, 180° vertical rotation
- Can accept up to (2) LF16 60MM lens or FA-16 60MM Black Honeycomb Louvers when used with the FA-43 Snoot/Accessory Holder, ordered separately

### Performance Summary

- High performance, small scale LED track luminaire
- Available in 12° Spot, 28° Medium and 39° Flood beam distributions; optics have been optically engineered to provide a smooth uniform beam, maximizing output and minimizing glare
- Optics can be easily changed in the field for optimal flexibility
- Select from 2700K, 3000K, 3500K and 4000K color temperatures; CRI 80 min., 83 typical; high CRI 90+ available
- 3000K Crisp White LED available, delivering 90+ color rendering with additional violet wavelengths that enhance white visibility
- Excellent fixture-to-fixture color consistency within a 2-step MacAdam Ellipse tolerance
- Dimming is standard for all wattage options and allows smooth illumination down to 10% (120V Only); for dimmer compatibility, refer to Dimming Specifications sheet

DATE

PROJECT

TYPE

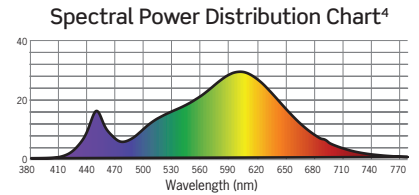
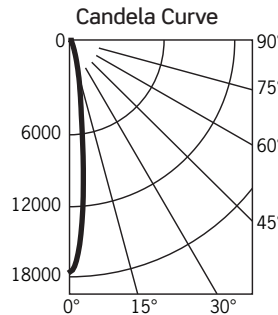
# ETL806\*V | O2 Mini Vertical Housing LED Track Luminaire with 0-10V Dimming Track System Adapter

## PHOTOMETRICS

### CTL8063VS3D

Fixture Delivered Lumens: 1509  
 Total Watts@120V: 20.0  
 Lumens Per Watt: 75.5  
 Center Beam Candle Power: 17472  
 Beam Distribution: 12°  
 Spacing Criterion: 0.21  
 Color Rendering Index (CRI)<sup>1</sup>: 83  
 Color Temperature (CCT)<sup>2</sup>: 3131K  
 Designed for 50,000 Hour Lamp Life<sup>3</sup>  
 LM-63 Test No. 86370  
 LM-79 Test No. 86373

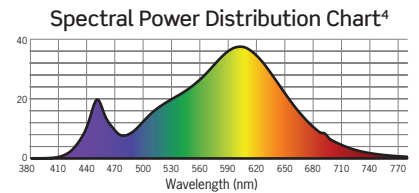
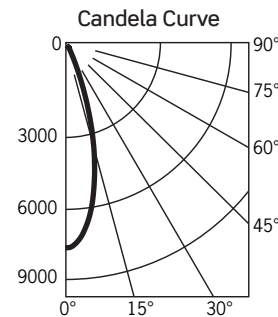
Intensity Distribution		
DISTANCE (FT.)	FOOTCANDLES (FC)	BEAM DIAMETER (FT.)
4'	1092.0	0.8
6'	485.3	1.3
8'	273.0	1.7
10'	174.7	2.1
12'	121.3	2.5
14'	89.1	2.9



### CTL8063VM3D

Fixture Delivered Lumens: 1852  
 Total Watts@120V: 20.3  
 Lumens Per Watt: 91.2  
 Center Beam Candle Power: 7634  
 Beam Distribution: 28°  
 Spacing Criterion: 0.46  
 Color Rendering Index (CRI)<sup>1</sup>: 83  
 Color Temperature (CCT)<sup>2</sup>: 3106K  
 Designed for 50,000 Hour Lamp Life<sup>3</sup>  
 LM-63 Test No. 86371  
 LM-79 Test No. 86374

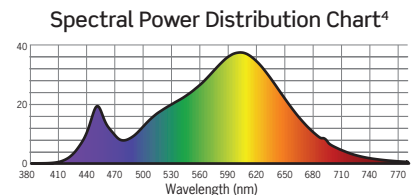
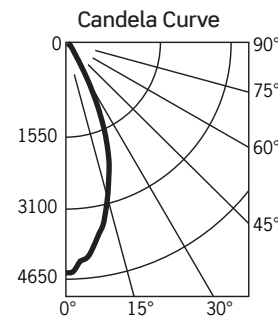
Intensity Distribution		
DISTANCE (FT.)	FOOTCANDLES (FC)	BEAM DIAMETER (FT.)
4'	477.1	1.9
6'	212.1	2.9
8'	119.3	3.8
10'	76.3	4.8
12'	53.0	5.7
14'	38.9	6.7



### CTL8063VF3D

Fixture Delivered Lumens: 1897  
 Total Watts@120V: 20.3  
 Lumens Per Watt: 93.4  
 Center Beam Candle Power: 4501  
 Beam Distribution: 39°  
 Spacing Criterion: 0.63  
 Color Rendering Index (CRI)<sup>1</sup>: 83  
 Color Temperature (CCT)<sup>2</sup>: 3114K  
 Designed for 50,000 Hour Lamp Life<sup>3</sup>  
 LM-63 Test No. 86372  
 LM-79 Test No. 86375

Intensity Distribution		
DISTANCE (FT.)	FOOTCANDLES (FC)	BEAM DIAMETER (FT.)
4'	281.3	2.5
6'	125.0	3.8
8'	70.3	5.1
10'	45.0	6.3
12'	31.3	7.6
14'	23.0	8.8



1. Accuracy of rendering colors 2. Color appearance of light source 3. Dependent on surrounding temperatures 4. Colors present within the light source

## PHOTOMETRIC MULTIPLICATION FACTORS

Lumen output values fluctuate based on Color Temperature and Luminaire Wattage/Output. To estimate lumen output of these various options, multiply 3000K results by the following:

CCT MULTIPLIERS				OUTPUT MULTIPLIERS	
CCT	STD CRI	HIGH CRI	CRISP WHITE	10W/SERIES 1	20W/SERIES 3
2700K	.935	.703	N/A	0.59	0.78
3000K	N/A	.754	.787		
3500K	1.0	.812	N/A		
4000K	1.0	0.87	N/A		

DATE

PROJECT

TYPE

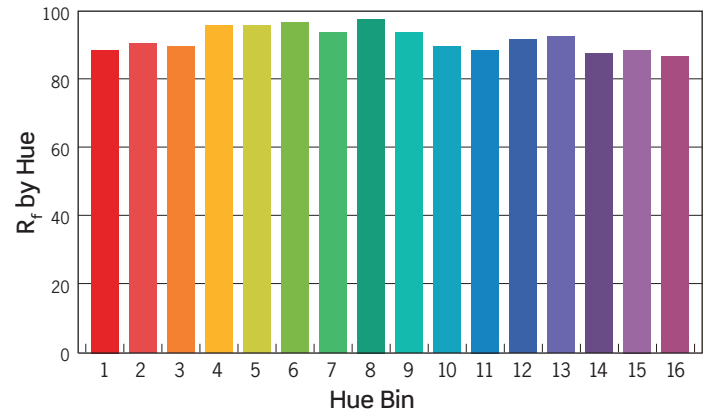
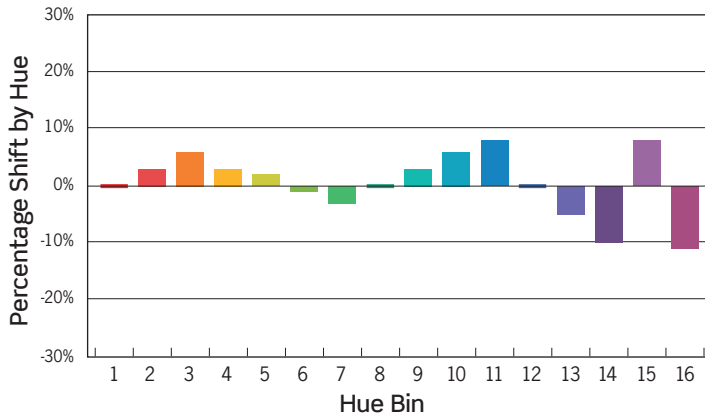
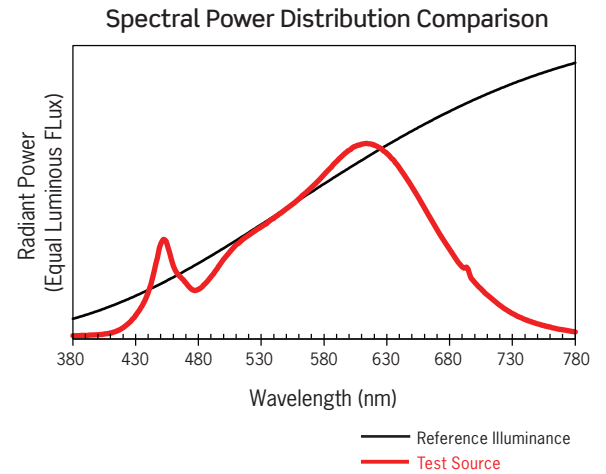
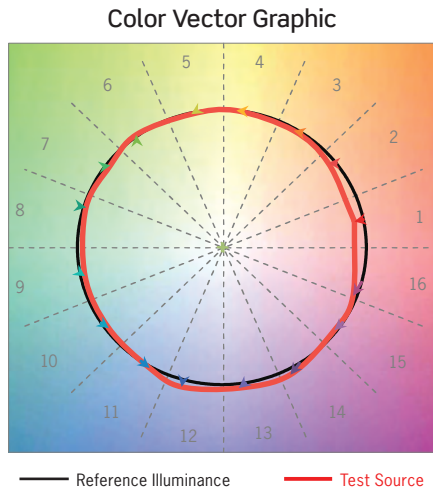
# ETL806\*V | O2 Mini Vertical Housing LED Track Luminaire with 0-10V Dimming Track System Adapter

## PHOTOMETRICS

TM-30 Data: CTL8063VS3CD

ANSI/IES TM-30-18 Color Rendition Report Test No. S21012901  
Colors are for visual orientation purposes only

$R_f$	91
$R_g$	98
CCT(K)	30876K
$D_{uv}$	0.0008
$u^l$	0.2473
$v^l$	0.5208



HUE BIN	1	2	3	4	5	6	7	8	9	10	11	12	13	14	15	16
HUE SHIFT	0%	3%	6%	3%	2%	-1%	-3%	0%	3%	6%	8%	0%	-5%	-10%	-08%	-11%
$R_f$ VALUE	88	90	89	95	95	96	93	97	93	89	88	91	92	87	88	86

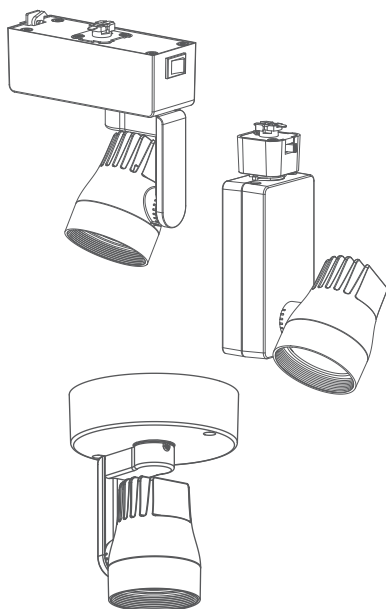
DATE

PROJECT

TYPE

## DIMMING SPECIFICATIONS | CTL806 Series LED Luminaires

- Incandescent 120VAC dimmers adjust the light with “forward phase control,” where the dimmer “chops” the forward part of the AC wave to deliver less or more power to the light source. No neutral wire connection required.
- Electronic low voltage 120VAC dimmers adjust the light with “reverse phase control,” where the dimmer “chops” the back part of the AC wave to deliver less or more power to the light source. Neutral wire connection required.



		CTL806 Series: “D” Driver Option		
		Light Output		
Manufacturer	Model	10W	14W	20W
Leviton	6631-2	1% - 100%	1% - 100%	1% - 100%
Leviton	6633-P	1% - 100%	0% - 100%	2% - 100%
Leviton	IPI06-1LZ	1% - 100%	N/A	2% - 100%
Leviton	6683-IW	4% - 100%	4% - 100%	6% - 100%
Leviton	IPE04	6% - 100%	6% - 100%	8% - 100%
Leviton	VPE06	9% - 100%	10% - 100%	11% - 100%
Cooper	SLC03P	1% - 100%	0% - 100%	0% - 100%
Cooper	DAL06P	1% - 100%	1% - 100%	0% - 100%
Cooper	DLC03P	1% - 100%	1% - 100%	2% - 100%
Lightolier	ZP260QEW	7% - 100%	8% - 100%	N/A
Lutron	DVCL-153P	0% - 100%	3% - 100%	1% - 100%
Lutron	S600P	1% - 100%	1% - 100%	4% - 100%
Lutron	TGCL-153P	5% - 100%	4% - 100%	6% - 100%
Lutron	S-603PG	4% - 96%	4% - 91%	7% - 96%
Lutron	DV600P	5% - 100%	0% - 100%	8% - 100%
Lutron	LG600P	5% - 100%	5% - 100%	8% - 100%
Lutron	DVELV303P	6% - 100%	7% - 100%	8% - 100%
Lutron	SELV300P	7% - 100%	7% - 100%	8% - 100%
Lutron	CT103P	9% - 100%	9% - 100%	12% - 100%
Lutron	MAELV600	12% - 100%	11% - 100%	14% - 100%
Lutron	FAELV500	12% - 100%	12% - 100%	14% - 100%
Lutron	TG-600P	13% - 100%	11% - 100%	15% - 100%

### Notes

1. Testing was performed with a single fixture connected to dimmer.
2. Testing has been performed on these dimmers, but this does not imply any warranty of compatibility.
3. Dimming performance can be influenced by different loads, as well as variations in dimmer switches within the same model.
4. Dimmer maximum load rating with LED may differ from published traditional source dimmer ratings. Consult manufacturer for maximum dimmer information.
5. Consult factory for additional dimming information.