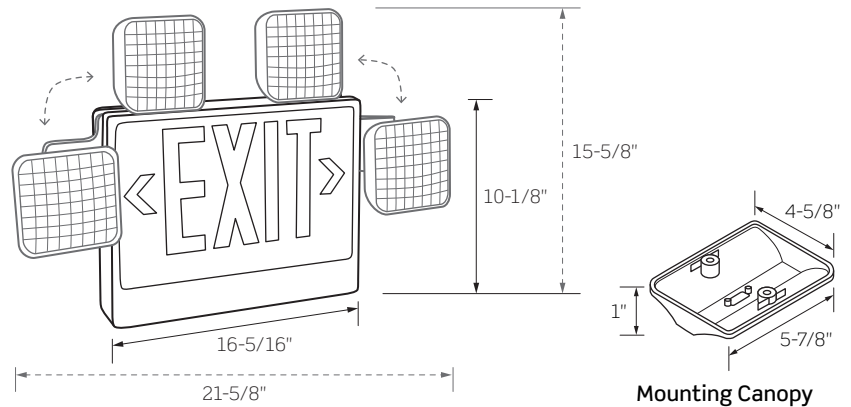


DATE

PROJECT

TYPE

# EX2H SERIES | LED Exit/Emergency Light Combination with Battery Back-Up



Mounting Canopy

	<b>EX2H(R/G)LEDEM</b>
WATTAGE	3.8W at Normal (120V) Operation, 15W at Emergency Operation.
MAX LAMP	Two (2) 6V 5.4W DC T5 Wedge Base Lamps for Emergency Mode
MOUNTING	Wall or Ceiling
ELECTRICAL	120/277 VAC Dual Voltage Operation
BATTERY	Lead-Cadmium Battery (6V 4.5Ah) <ul style="list-style-type: none"> <li>Delivers minimum 90 minute discharge</li> <li>Low Voltage Battery Disconnection prevents deep discharge damage to the Battery</li> </ul>
LISTING	UL Listed; Suitable for Damp Locations Meets UL924 and NFPA101 UL 94V-0 Flame Rating
WARRANTY	One (1) year replacement after date of purchase

## PRODUCT DETAILS

- Injection-molded Thermoplastic ABS Housing with LED Indicator Light and Push Button Test Switch
- Innovative, snap-together design allows for fast installation
- Simple twist-and-lock action tightly secures Housing to Mounting Canopy
- Single or Double Face configuration; letters are 6 inches high with a 3/4 inch stroke
- Replaceable directional Chevron Inserts are easily removed/reinserted
- Two fully adjustable glare-free square shape light heads for emergency light with an expected LED life of up to 10 years
- Exit Sign LEDs mounted on Print Circuit Board
- LED Lamps operate in Normal (AC input) and Emergency (DC input) modes

## ORDERING INFORMATION

Example Order:  —

### Emergency Light

- EX2HRLEDEM** - Red LED Exit Combo with Battery Back-up
- EX2HGLEDEM** - Green LED Exit Combo with Battery Back-up

### Housing Finish

- P** - White