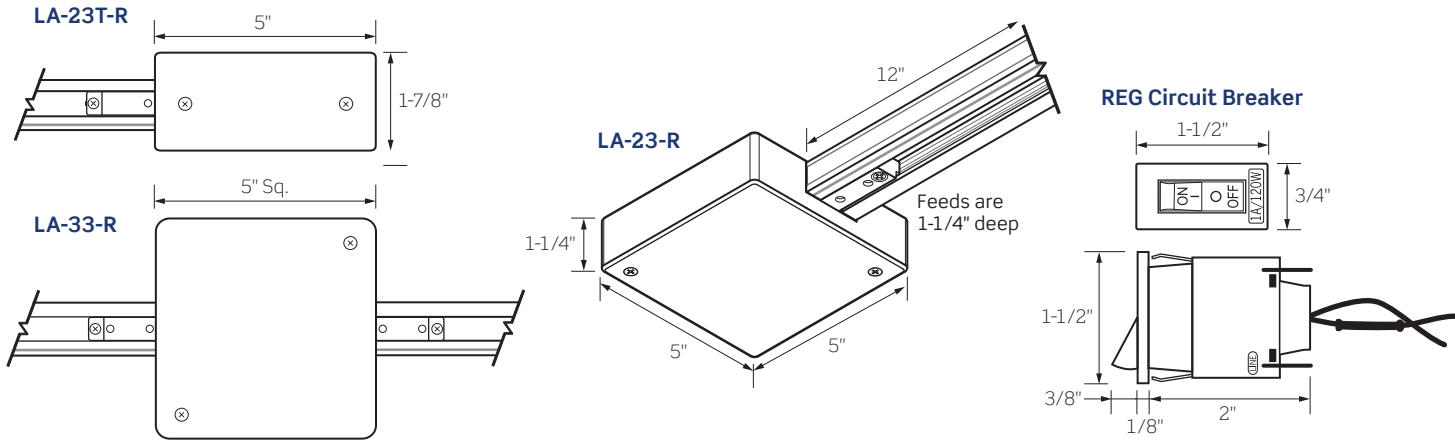


DATE

PROJECT

TYPE

LA-23-R/LA-23T-R/LA-33-R | Single Circuit Track Current Limiting Power Feeds



PRODUCT DETAILS

Power Feeds

- Power Feeds limit the amount of electrical load that can be placed on the circuit
- Includes 1 foot of track connected to (Power Feed with End Cap. To add additional track length, an LA-2 Conductive Mini-Connector, or other Track Connector, **must be used**. Connectors sold separately.
- Plastic Polycarbonate Lexan™ wire cover
- Galvanized Steel Mounting Plate
- Center Pryout allows feeding from the Junction Box
- Tamper-proof Steel Mounting Screws secure cover to the Mounting Plate

LA-23-R and LA-33-R Only

- Three (3) 7/8 inch diameter pryouts for electrical feed, two (2) are offset to accommodate Grid Ceiling Runners
- Two (2) Ground Terminals for Supply Ground Wire
- Four (4) oval Mounting Holes on 3-1/2 inch centers secure Connector to Junction Box or Mounting Surface

Circuit Breakers

- Circuit Breakers are sold separately
- Illuminated Rocker Switch is easily seen from floor level to confirm that power is being supplied to Track Circuit
- Can be used as a standard ON/OFF Switch
- Quick Connect Blade Terminals; easy connection to the included Pigtails
- Breaker snaps into the Power Feed without the use of tools
- 120V/60Hz Capacity
- Use 12 gauge, 90°C minimum Supply Wire
- All wiring should meet National and Local Electrical Codes

Labels

- cCSAus Certified
- May be used to comply with the California Energy Code (CEC) Requirements for Track Current Limiting

ORDERING INFORMATION

Power Canopy

Example Order: -

Circuit Breaker

Example Order: -

Power Canopy

- LA-23-R** - Single Circuit End Feed with 1 Ft. attached Track*
- LA-23T-R** - Single Circuit Thin End Feed with 1 Ft. attached Track*
- LA-33-R** - Single Circuit In-Line Feed with 1 Ft. attached Track*

Finish

- B** - Black
- P** - White
- S** - Silver

Circuit Breaker

- REG0.50A** - 60W, 0.5A
- REG1** - 120W, 1A
- REG2** - 210W, 1.75A
- REG21** - 240W, 2A
- REG3** - 300W, 2.5A
- REG4** - 360W, 3A
- REG5** - 480W, 4A
- REG6** - 600W, 5A
- REG7** - 720W, 6A
- REG8** - 840W, 7A
- REG9** - 900W, 7.5A
- REG91** - 960W, 8A
- REG10** - 1200W, 10A
- REG12** - 1440W, 12A
- REG14** - 1680W, 14A

Finish

- B** - Black
- P** - White
- S** - Silver

*To add additional track length, an LA-2 Conductive Mini-Connector, or other Track Connector, **must be used**. Connectors sold separately.

DATE

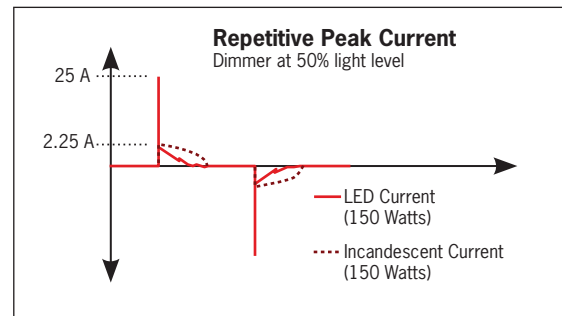
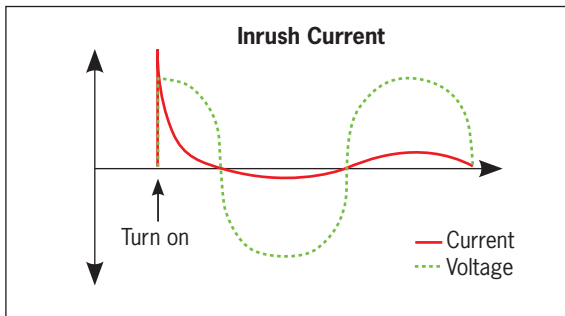
PROJECT

TYPE

LA-23-R/LA-23T-R/LA-33-R | Single Circuit Track Current Limiting Power Feeds

InRush Current

Inrush Current is input current of short duration which occurs at start-up that is greater than the normal operating current of an LED lamp or luminaire. For example, the number of lamps or luminaires able to be installed on a circuit seems like a simple question to answer, but when using an LED load, a 300W dimmer with a 50W luminaire does not necessarily mean 6 luminaires can be used on this dimmer. While the luminaire may draw 50W continuously, it may have a start-up inrush current which draws a much higher load. These higher loads are why the LED luminaire load rating is usually less than the maximum rating of the dimmer. When designing a circuit of LED luminaires, you should leave at least 25% of the circuit capacity open to accommodate this condition, but specific system properties may require more capacity.



Source: Lutron