

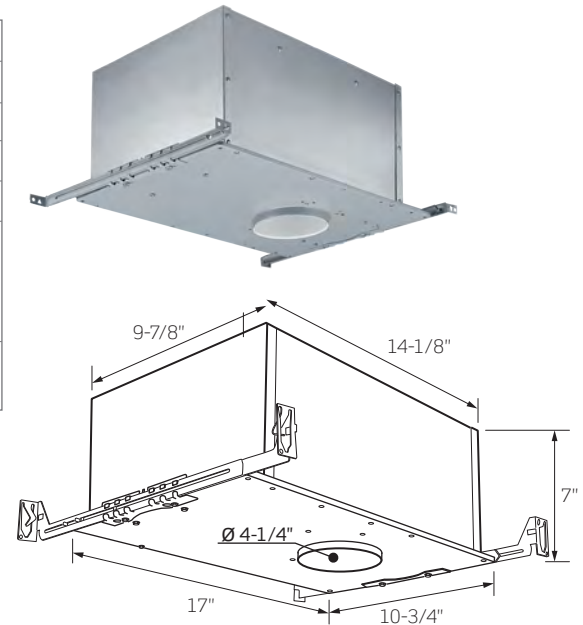
DATE

PROJECT

TYPE

LVR16-IC SERIES | 4-Inch Low Voltage Downlights: Insulated Ceiling (IC)/StopAire™ Housing

MAX LAMP	One (1) 12V 50W MR16, GU5.3 base
INPUT/OUTPUT POWER	120V/12V AC
DIMMING	Magnetic Low Voltage Dimming
CEILING OPENING	4-3/8-Inches
MAX CEILING THICKNESS	1-Inch
LISTINGS	cSAus Certified; Suitable for Damp Locations Conforms to Washington State Energy Code (WSEC) for Low Air Infiltration; tested in accordance with ASTM E283 (2.0 CFM or less).
WARRANTY	Housing and Transformer have a one (1) year replacement guarantee after date of purchase



ORDERING INFORMATION

Example Order:

Housing
LVR16-IC

Options
RL-KIT - Commercial Mounting Brackets
HB-24 - 27-Inch Flat Hanger Bars for RL-KIT
HBC-24 - 25-Inch C-Channel Hanger Bars for RL-KIT in Grid Ceiling Construction
CTR18-P - LV Monopoint Adapter

See “Trims for 4-Inch Low Voltage Downlights” Specification Sheet for compatible Trim information and details

PRODUCT DETAILS

- For use in applications with direct contact with insulation materials
- StopAire™ rated for Air-Tight Applications
- For solid or suspended ceilings

Construction

- Sure-grip Spring permits inner Housing to be lowered for adjustment to ceiling thickness
- Junction Box cover is removable through ceiling aperture for access Junction Box
- Junction Box has four (4) 1/2-inch and two (2) 3/4-inch Knock-Outs with Spring Latch Access Plates

- Dual extension Hanger Bars span 15- to 25-1/4-inches with reversible placement feature
- Hanger Bars may be extended to rest on T-bar Grid

Performance Summary

- Pre-wired, Thermally Protected Magnetic Class H Transformer: 120V in/12V out
- Transformer is removeable through ceiling aperture
- Can be used with Low Voltage Magnetic Dimming Controls

DATE

PROJECT

TYPE

LVR16 SERIES | Trims for 4-Inch Low Voltage Downlights

- All 4-inch Low Voltage Trims are cCSAus Certified and Suitable for Damp Locations; only Shower Trims are Wet Location Listed
- Max Lamp: 50W 12V MR-16 lamp, GU5.3 base, unless noted
- All Trims have White Trim finish unless specified
- For Trims designed for use with MR16 Lamps, ConTech Lighting provides a clear, Tempered Safety Glass Lens that should only be used with open MR16 Lamps; not with MR16 Lamps that contain an integral Glass Lens
- If use of MR16 with Front Glass is required, remove the factory provided Safety Lens; Lens should also be removed when using MR16 LED Lamps
- Consult factory for LED Lamp compatibility



CTR1601-P-WHT
Adjustable White Baffle
White Trim

CTR1601 Series

Adjustable Baffle
3-1/2" I.D., 5-1/2" O.D.

Deep Baffle traps stray light and conceals Lamp. May be used as Downlight or Adjustable Accent Light with 60° swing adjustment.

Trim can hold up to two (2) lenses with included Stepped Lens Holder: 45mm Lens on lower level 50mm Lens onto higher level.

A 75W Lamp may be used in LVR1675 housings. To convert trims, order the **1624 SOCKET-75W** Socket Replacement.

Standard Trims: 5-1/2" OD

- CTR1601-B** - Black Baffle, Black Trim
- CTR1601-P-WHT** - White Baffle, White Trim

Cast Aluminum Trim: 5-1/8" OD

- CTR1601-PA-WHT** - White Baffle



CTR1602-P-CLR
Adjustable Multiplier:
Clear Reflector, White Trim

CTR1602 Series

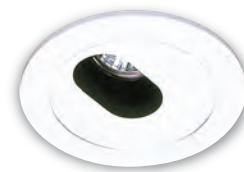
Adjustable Multiplier
3-1/2" I.D., 5-1/2" O.D.

Highly polished Specular Reflector maximizes light intensity while concealing the light source. May be used as Downlight or Adjustable Accent Light with 35° swing adjustment.

Trim can hold up to two (2) lenses with included Stepped Lens Holder: 45mm Lens on lower level 50mm Lens onto higher level.

A 75W Lamp may be used in LVR1675 housings. To convert trims, order the **1624 SOCKET-75W** Socket Replacement.

- CTR1602-B-BLK** - Black Refl., Black Trim
- CTR1602-P-BLK** - Black Refl., White Trim
- CTR1602-P-CLR** - Clear Refl., White Trim
- CTR1602-P-WHT** - White Refl., White Trim



CTR1603-P
White Slotted Wall Wash

CTR1603 Series

Slotted Wall Wash
1-5/16" I.D., 5-1/2" O.D.

Slot aperture permits maximum beam area adjustment for wall wash or concealed accent lighting effects. 50° Swing adjustment, 358° rotation. 50mm Lens.

A 75W Lamp may be used in LVR1675 housings. To convert trims, order the **1624 SOCKET-75W** Socket Replacement.

CTR1603-P - White Slotted Wall Wash,
Black Interior



CTR1614-P-CLR
White Angled Wall Wash

CTR1614 Series

Angled Wall Wash
3-7/16" I.D., 5-1/16" O.D.

Adjustable lampholder; 55-75° aiming angle. 45mm lens.

A 75W Lamp may be used in LVR1675 housings. To convert trims, order the **1624 SOCKET-75W** Socket Replacement.

CTR1614-P-CLR - Angled Wall Wash:
Clear Reflector,
White Trim

Continued on page 2

DATE

PROJECT

TYPE

LVR16 SERIES | Trims for 4-Inch Low Voltage Downlights

- A Black finish Retaining Ring is standard on Adjustable Trims. For a White finish Retaining Ring, order part number **1623/24 WHITE**.
- These Adjustable Trims will only accept one (1) Lens:
 - If a FA-16 45MM Louver is required, remove the Safety Lens and use a Front Glass MR16 Lamp.
 - A series of 47mm tempered color or light controlling lenses may be used instead of the clear lens supplied.



CTR1607-P-WHT
Adjustable White Pin Spot
White Baffle & Trim

CTR1607 Series
Adjustable Pin Spot
2" I.D., 4-3/4" O.D.

Low profile gimbal design for aiming flexibility.
35° Swing adjustment.

Trim can hold up to two (2) lenses with included
Stepped Lens Holder: 45mm Lens on lower level
50mm Lens onto higher level.

A 75W Lamp may be used in LVR1675 housings.
To convert trims, order the **1624 SOCKET-75W**
Socket Replacement.



CTR1606-P
White Surface Adjustable

CTR1606 Series
Surface Adjustable
1-3/4" I.D., 4-15/16" O.D.

45° Max. vertical and 359° rotational aiming.
Die-cast aluminum construction. Front access
for re-lamping. 50mm lens.

A 75W Lamp may be used in LVR1675 housings.
To convert trims, order the **1624 SOCKET-75W**
Socket Replacement.



CTR1624-NK
Nickel Fully Adjustable
Square in Round

CTR1624 Series
Fully Adjustable Square in Round
5-1/2" O.D.

87° Vertical and 359° rotation adjustment.
Die-cast aluminum construction. Front access,
spring latch Lamp Retainer Ring (black finish).
47mm lens. Depth from ceiling: 2-1/2"

A 75W Lamp may be used in LVR1675 housings.
To convert trims, order the **1624 SOCKET-75W**
Socket Replacement.

CTR1606-P - White Surface Adjustable

CTR1624-B - Black
CTR1624-NK - Nickel
CTR1624-P - White

CTR1607-P-WHT - Adjustable Pin Spot,
White Baffle & Trim