

DATE

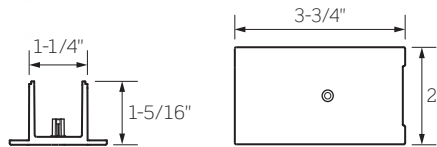
PROJECT

TYPE

O2CDR SERIES | Recessed 0-10V Dimming Track System Connector Covers



Recessed Cover for End Feeds

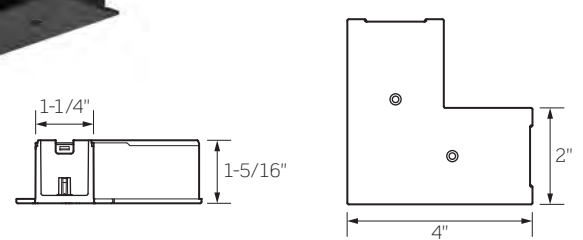


O2CD-9001R

Finish
B - Black
P - White



Recessed Cover for L-Couplers

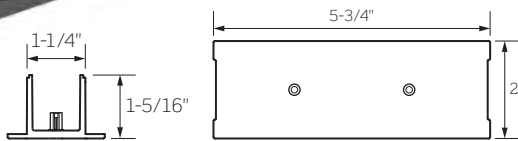


O2CD-9011R

Finish
B - Black
P - White



Recessed Cover for Middle Joints

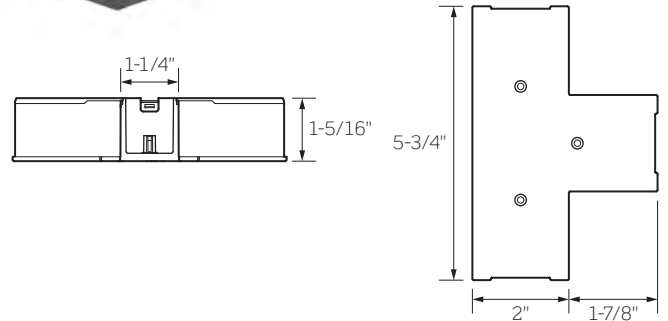


O2CD-9010R

Finish
B - Black
P - White



Recessed Cover for T-Couplers

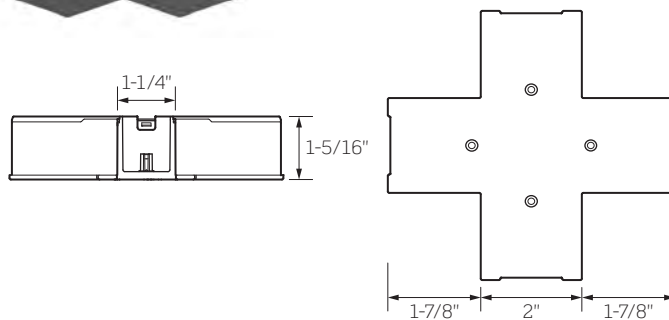


O2CD-9013R

Finish
B - Black
P - White



Recessed Cover for X-Couplers



O2CD-9017R

Finish
B - Black
P - White