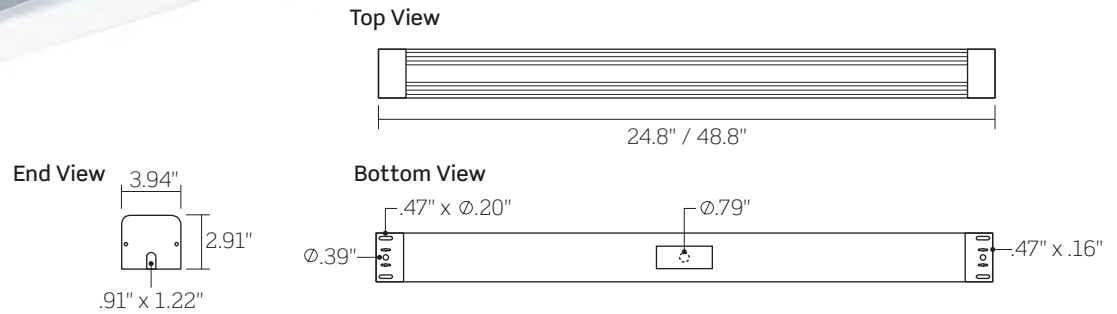


DATE

PROJECT

TYPE

# SW SERIES | Surface Wrap Linear Series with Integrated Sensor



	<b>SW2:</b> 2 Ft/24 In	<b>SW4:</b> 4 Ft/48 In
WATTAGE	20W	40W
LUMEN OUTPUT <sup>1</sup>	2047Lm	4094Lm
COLOR TEMPERATURE	3000K / 3500K / 4000K	
CRI	83 (80min)	
SENSOR	Integrated Motion Sensor for Dimming Control	
MOUNTING	Suspended or Surface Mount	
DIMMING	120-277V Integrated Driver	
FINISH	Matte White with Opaque White High Impact Acrylic Lens	
LISTINGS	ETL Certified for use in the U.S. and Canada Must be installed in accordance to all product specific installation instructions and appropriate National Electrical Codes Suitable for use in closets when installed in accordance with NFPA <sup>®</sup> 70, NEC <sup>®</sup> Section 410.16	
WARRANTY	Five (5) year replacement after date of purchase	
SYSTEM RATING	50,000 Hours @ 70% Lumen Maintenance	

1. Approximate lumen output based on 3000K performance; see photometric test results for additional information

## ORDERING INFORMATION

Example Order:  -  -

Length	CCT/CRI	Driver	Control Sensor	Finish
<b>SW2</b> - 2 Ft/24 In	83 (80min) CRI	<b>MV</b> - 120 - 277V	<b>DS</b> - Dimming Motion Sensor	<b>P</b> - White
<b>SW4</b> - 4 Ft/48 In	<b>30K</b> - 3000K <b>35K</b> - 3500K <b>40K</b> - 4000K			

DATE

PROJECT

TYPE

# SW SERIES | Surface Wrap Linear Series with Integrated Sensor

## PRODUCT DETAILS

### Construction

- Commercial Grade 2 Ft and 4 Ft Surface Mount Wrap luminaires
- Integrated LED Strips deliver over 1000 lumens per linear foot
- Matte White finish with Opaque White High Impact Acrylic Lens
- Integrated Motion sensors for Dimming control
- Includes hardware for surface mounting to ceiling or wall
- Suitable for suspension mounting (hardware provided by others)

### Performance Summary

- Light engine consists of multi-chip LED strips; 10W per linear foot
- 3000K, 3500K and 4000K CCT; 83 CRI
- 120-277V Integrated Driver
- Dimming Motion Microwave Sensor:
  - Adjustable Detection Area: 10%, 50%, 75%, 100%
  - Hold Time: 5 sec, 30 sec, 90 sec, 3 min, 20 min, 30 min
  - Stand-by Period: 0 sec, 5 sec, 5 min, 10 min, 30 min, 1 hr, Infinite
  - Daylight Sensor: 6 Levels from 0.2 fc to 9 fc or can be disabled
  - Dimming Level: 0%, 10%, 20%, 30%, 50%
- Max Detection Zone: 50 Ft x 50 Ft

## PHOTOMETRICS

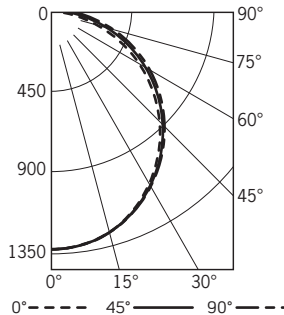
### SW440KMV

Fixture Delivered Lumens: 4094  
 Total Watts@120V: 41.0  
 Lumens Per Watt: 99.9  
 Center Beam Candle Power: 1327  
 Beam Distribution: 109.4° (at 0°) x 116.1° (at 90°)  
 Spacing Criterion: 1.23 @ 0°  
 Color Rendering Index (CRI)<sup>1</sup>: 84  
 Color Temperature (CCT)<sup>2</sup>: 4094K  
 Designed for 50,000 Hour Lamp Life<sup>3</sup>  
 LM-63 Test No. 88383  
 LM-79 Test No. 88383

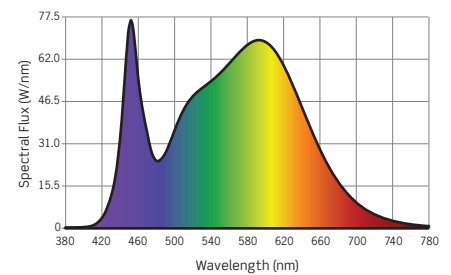
### Intensity Distribution

DISTANCE (FT.)	FOOTCANDLES (FC)	BEAM DIAMETER (FT.)
6 FT	36.9	7.5
8 FT	20.7	9.9
10 FT	13.3	12.4
12 FT	9.2	14.9
14 FT	6.8	17.4
16 FT	5.2	19.9

### Candela Curve



### Spectral Power Distribution Chart<sup>4</sup>



1. Accuracy of Rendering Colors 2. Color Appearance of Light Source 3. Dependent on Surrounding Temperatures 4. Colors Present within the Light Source