

DATE

PROJECT

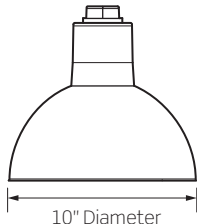
TYPE

VC SERIES | LED Vintage RLM: Deep-Bowl Shade



LED

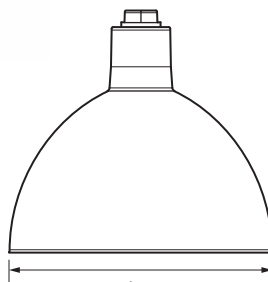
- Classic style RLM Luminaires inspired by vintage fixtures and redesigned with the latest technology and materials
- Multiple Mounting Options for a wide range of applications
- Durable weather resistant Polyester Powder Coat Finishes, Electrostatically applied and Thermo-Cured



10" Diameter

DB10

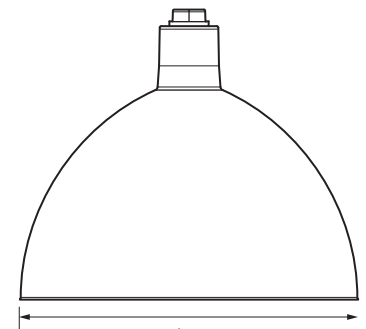
10 Inch Deep-Bowl Shade



14" Diameter

DB14




14 Inch Deep-Bowl Shade



18" Diameter

DB18

18 Inch Deep-Bowl Shade

WATTAGE	10W	14W	18W	22W	36W
LUMEN OUTPUT (3000K) ¹	1100 Lm	1550 Lm	1950 Lm	2300 Lm	3450 Lm
COLOR TEMPERATURE	2700K / 3000K / 3500K / 4000K				
CRI	90+				
COLOR CONSISTENCY	3-Step MacAdam Ellipse Tolerance, 3 SDCM				
INPUT POWER	120 - 277VAC 60Hz				
DIMMING TYPE	0-10V Dimming				
AMBIENT OPERATING TEMP	-30°C (-22°F) to 45°C (113°F)				
   LISTINGS	cCSAus Listed to UL and CSA Standards; Suitable for Dry, Damp or Wet locations ² Can be used to comply with the 2019 Title 24 Part 6 JA8 High Efficacy LED Light Source Requirements Wet Location Pendants and Flush Mount Luminaires must be mounted under covered ceilings ²				
WARRANTY	Five (5) year replacement after date of purchase				
SYSTEM RATING	50,000 Hours @ 70% Lumen Maintenance				

1. Approximate Lumen output based on 3000K performance; see photometric test results for additional information
 2. Sloped Ceiling Pendants (HSM) only suitable for Dry or Damp Locations

DATE

PROJECT

TYPE

VC SERIES | LED Vintage RLM: Deep-Bowl Shade

ORDERING INFORMATION

Example Order: -

1. Shade Size	2. LED Series	Color Temp	3. Mounting	4. Finish ⁵
VCDSD10 - 10 In.	LDD8 - 10W	27K - 2700K	FC - 10 Ft. Field Adj. Cord Pendant	B - Jet Black
VCDSD14 - 14 In.	LDD12 - 14W	30K - 3000K	FM - Flush Mount	G - Evergreen
VCDSD18 - 18 In.	LDD16 - 18W	35K - 3500K	LSM6 ³ - 6 In. Stem Mount Pendant	P - Sky White
	LDD20 - 22W	40K - 4000K	LSM12 ³ - 12 In. Stem Mount Pendant	S - Vintage Steel
	LDD30 - 36W		LSM24 ³ - 24 In. Stem Mount Pendant	CXXXX ⁶ - Custom Finish <i>Specify RAL Number</i>
			LSM36 ³ - 36 In. Stem Mount Pendant	
			HSM6 ³ - 6 In. Stem Mount Pendant, Sloped Ceiling Canopy	
			HSM12 ³ - 12 In. Stem Mount Pendant, Sloped Ceiling Canopy	
			HSM24 ³ - 24 In. Stem Mount Pendant, Sloped Ceiling Canopy	
			HSM36 ³ - 36 In. Stem Mount Pendant, Sloped Ceiling Canopy	
			LGN1 ⁴ - Gooseneck Design 1	
			LGN2 ⁴ - Gooseneck Design 2	
			LGN3 ⁴ - Gooseneck Design 3	
			LGN4 ⁴ - Gooseneck Design 4	
			LGN5 ⁴ - Gooseneck Design 5	

3. All Stems have 3/4-Inch NPT (National Pipe Taper) Threaded Ends
 4. See Page 4 for Gooseneck Design Options
 5. Finish Selection determines Shade and Mounting Hardware colors; Interior of all Shades is Sky White, except Vintage Steel.
 Vintage Steel Shade will have the same finish on interior and exterior of Shade and comes with a Black Cord when using Flexible Cord.
 6. Custom Finish will require additional lead time and extra charge

The following pages will walk through ordering details

DATE

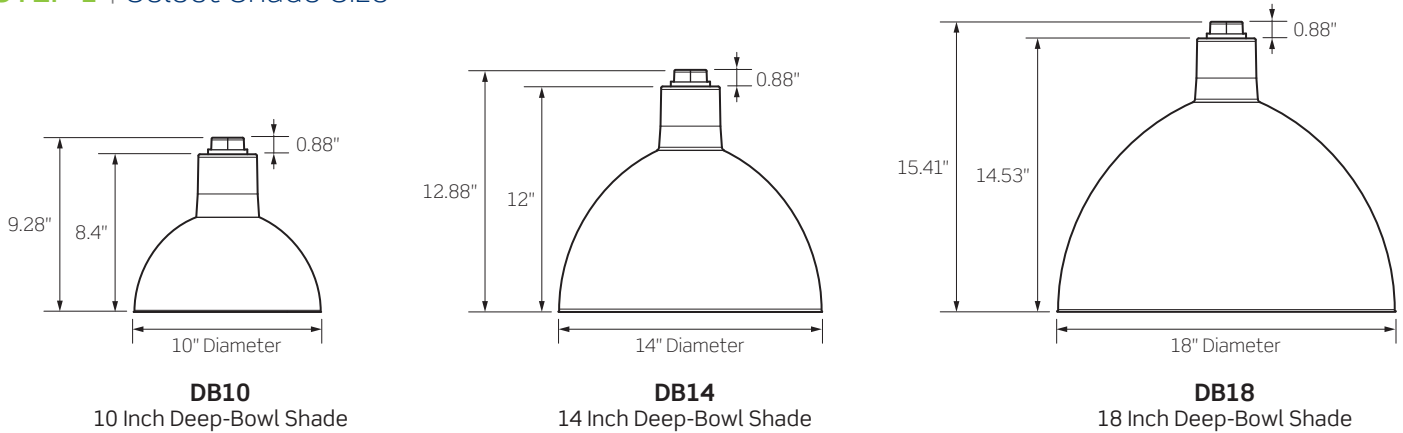
PROJECT

TYPE

VC SERIES | LED Vintage RLM: Deep-Bowl Shade

ORDERING INFORMATION

STEP 1 | Select Shade Size



STEP 2 | Select LED Option

- 120 - 277 VAC Input
- 0 - 10V Dimming
- 2700K, 3000K, 3500K, 4000K
- 90 +CRI
- Color Consistency within a 3-Step MacAdam Ellipse Tolerance; 3 SDCM
- Frosted Domed Lens
- The following dimmers are compatible and provide dimming down to 1.1%: Leviton IP710, Lutron Diva DVSTV-WH, Lutron Nova NTSTV-DV

LED	LED Series	Color Temp
LDD - LED with Domed Frosted Lens	8 - 10W 12 - 14W 16 - 18W 20 - 22W 30 - 36W	27K - 2700K 30K - 3000K 35K - 3500K 40K - 4000K

DELIVERED OUTPUT

3000K, 90CRI, Frosted Domed Lens, Sky White Interior Shade Finish

WATTAGE	10W		14W		18W		22W		36W	
	LUMENS*	LM/W	LUMENS*	LM/W	LUMENS*	LM/W	LUMENS*	LM/W	LUMENS*	LM/W
DB10	1127	112	1545	112	1942	109	2316	106	3462	96
DB14	1019	102	1397	101	1755	99	2094	96	3130	87
DB18	989	99	1356	98	1704	96	2033	93	3038	84

*For Vintage Steel shade finish, multiply delivered lumens by 0.66 for DB10, 0.62 for DB14 and 0.64 for DB18

DATE

PROJECT

TYPE

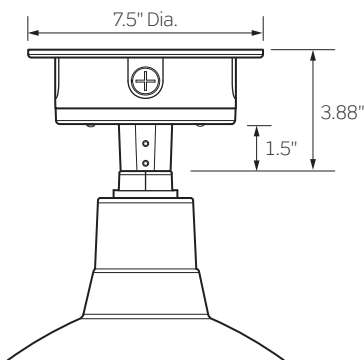
VC SERIES | LED Vintage RLM: Deep-Bowl Shade

ORDERING INFORMATION

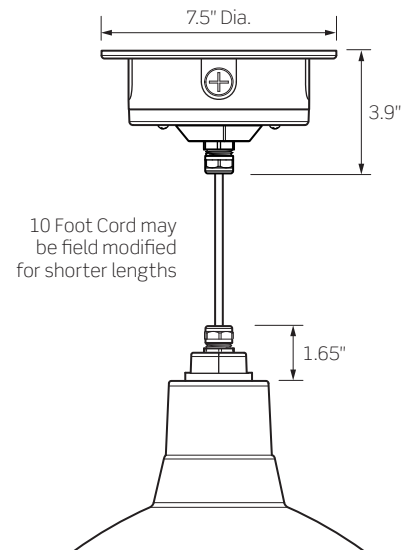
STEP 3 | Select Mounting Style

CANOPY OPTIONS

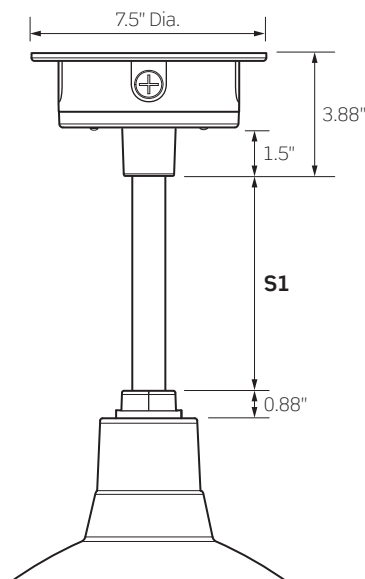
FM
Flush Mount with LED Driver Housing



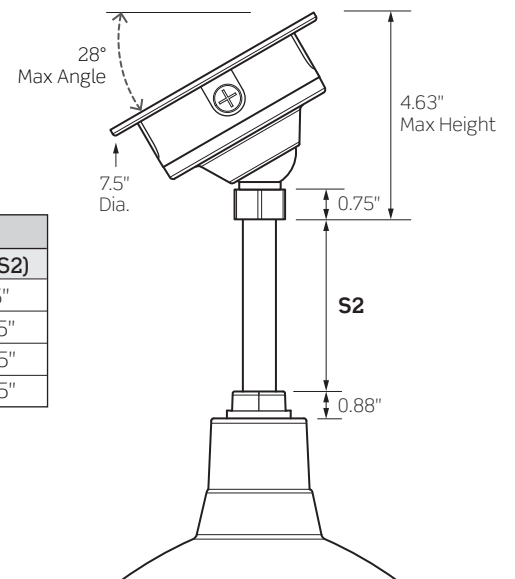
FC
Flexible Cord



LSM
Stem Mount



HSM
Sloped Ceiling Canopy with Stem Mount



Standard Stem Lengths:
6, 12, 24 and 36 Inch

VISIBLE STEM LENGTHS		
Mount	LSM (S1)	HSM (S2)
6 In. Nominal	3.88"	4.25"
12 In. Nominal	9.88"	10.25"
24 In. Nominal	21.88"	22.25"
36 In. Nominal	33.88"	34.25"

Gooseneck Options follow

DATE

PROJECT

TYPE

VC SERIES | LED Vintage RLM: Deep-Bowl Shade

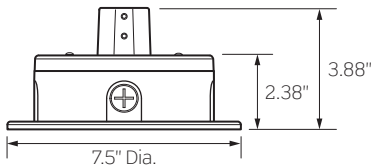
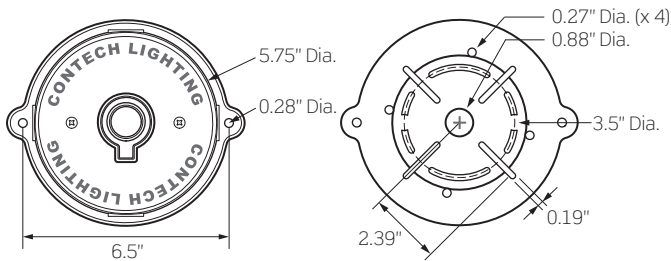
ORDERING INFORMATION

STEP 3 | Select Mount

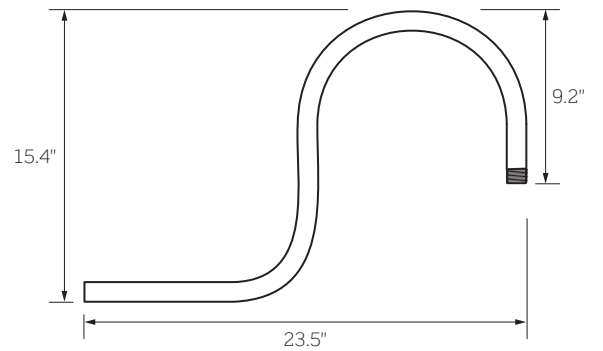
3/4-INCH NPT GOOSENECKS

Wall Flange & Driver Compartment

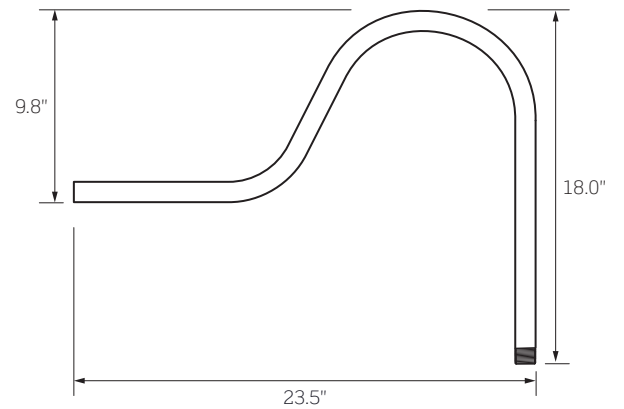
Included with Gooseneck



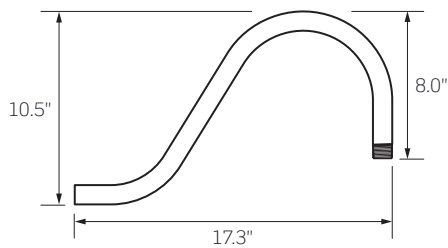
LGN3



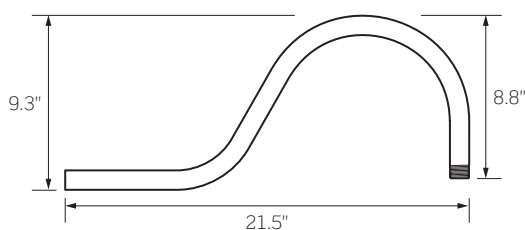
LGN4



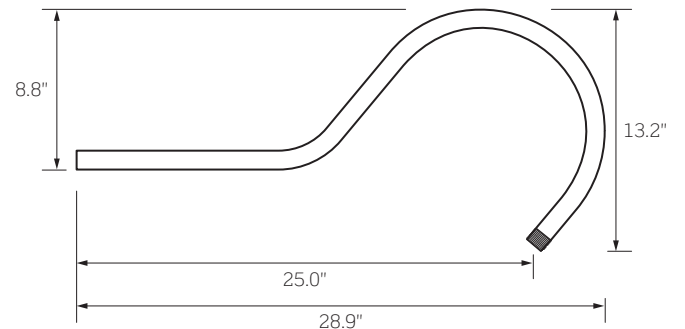
LGN1



LGN2



LGN5



DATE

PROJECT

TYPE

VC SERIES | LED Vintage RLM: Deep-Bowl Shade

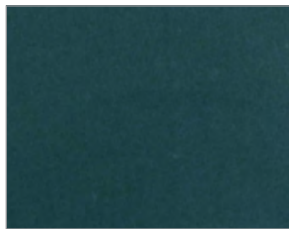
ORDERING INFORMATION

STEP 4 | Select Finish

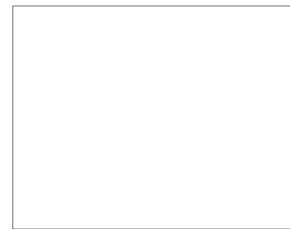
- Standard finishes are high gloss polyester powder coat with excellent corrosion resistance properties
- Finish selection determines Shade and Mounting Hardware colors
- Interior of all Shades is Sky White, except Vintage Steel. Vintage Steel Shade will have the same finish on interior and exterior of Shade
- Vintage Steel, Jet Black and Evergreen finishes will come with a Black Cord if using Flexible Cord
- Sky White finish will come with a White Cord if using Flexible Cord
- Custom Finish will require additional lead time and extra charge



B - Jet Black



G - Evergreen



P - Sky White



S - Vintage Steel



CXXXX - Custom Finish
Specify RAL Number

For a list of 177 Custom Finish RAL numbers, see Vintage RLM RAL Colors data sheet

PRODUCT CONSTRUCTION

- **SHADES:** Powder Coated Spun Aluminum
- **ENCLOSURE** and **CONDUIT PLUGS:** Powder Coated Cast Aluminum
- **DOMED LENS:** Polycarbonate
- **WALL FLANGES, CANOPIES** and **SHADE NUTS:** Powder Coated Cast Aluminum
- **GOOSENECKS:** Powder Coated Schedule 40 Aluminum Pipe
- **STEMS:** Powder Coated Schedule 40 Carbon Steel Pipe
- **EXPOSED HARDWARE:** Stainless Steel

DATE

PROJECT

TYPE

VC SERIES | LED Vintage RLM: Deep-Bowl Shade

PHOTOMETRICS

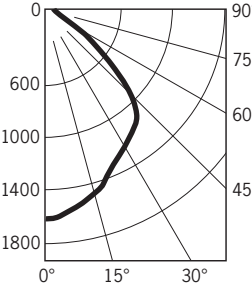
VCDSDB10: 10-Inch Deep Bowl Shade, White Interior, 3000Lm, 3000K

Fixture Delivered Lumens: 3461.7
 Total Watts@120V: 35.9
 Lumens Per Watt: 96.4
 Center Beam Candle Power: 1625
 Beam Distribution: 96.1°
 Spacing Criterion: 1.33
 Color Rendering Index (CRI)¹: 90.8
 Color Temperature (CCT)²: 3067K
 Designed for 50,000 Hour Lamp Life³
 LM-63 Test No. G21120603
 LM-79 Test No. S21111101

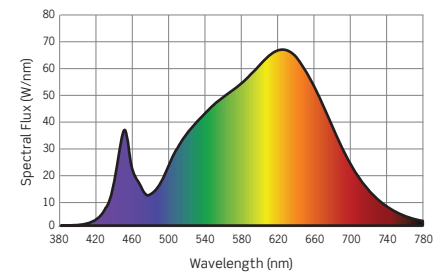
Intensity Distribution

DISTANCE (FT.)	FOOTCANDLES (FC)	BEAM DIAMETER (FT.)
6 FT	45.1	13.3
8 FT	25.4	17.8
10 FT	16.2	22.2
12 FT	11.3	26.7
14 FT	8.3	31.1
16 FT	6.3	35.6

Candela Curve



Spectral Power Distribution Chart⁴



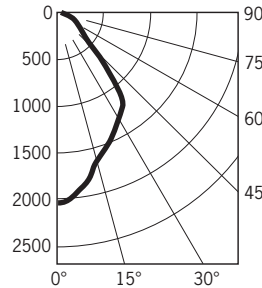
VCDSDB14: 14-Inch Deep Bowl Shade, White Interior, 3000Lm, 3000K

Fixture Delivered Lumens: 3129.7
 Total Watts@120V: 36.0
 Lumens Per Watt: 86.9
 Center Beam Candle Power: 2051.2
 Beam Distribution: 78.8°
 Spacing Criterion: 1.13
 Color Rendering Index (CRI)¹: 90.8
 Color Temperature (CCT)²: 3067K
 Designed for 50,000 Hour Lamp Life³
 LM-63 Test No. G21120604
 LM-79 Test No. S21111101

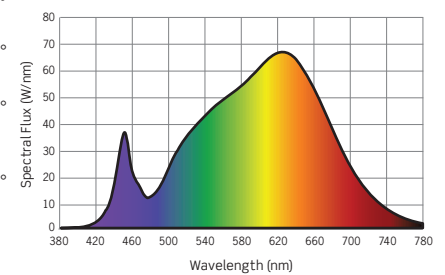
Intensity Distribution

DISTANCE (FT.)	FOOTCANDLES (FC)	BEAM DIAMETER (FT.)
6 FT	57.0	9.9
8 FT	32.0	13.2
10 FT	20.5	16.4
12 FT	14.2	19.7
14 FT	10.5	23.0
16 FT	8.0	26.3

Candela Curve



Spectral Power Distribution Chart⁴



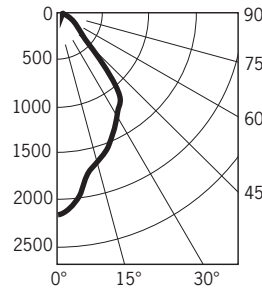
VCDSDB18: 18-Inch Deep Bowl Shade, White Interior, 3000Lm, 3000K

Fixture Delivered Lumens: 3037.8
 Total Watts@120V: 36.1
 Lumens Per Watt: 84.1
 Center Beam Candle Power: 2160.1
 Beam Distribution: 77.9°
 Spacing Criterion: 1.11
 Color Rendering Index (CRI)¹: 90.8
 Color Temperature (CCT)²: 3067K
 Designed for 50,000 Hour Lamp Life³
 LM-63 Test No. G21120605
 LM-79 Test No. S21111101

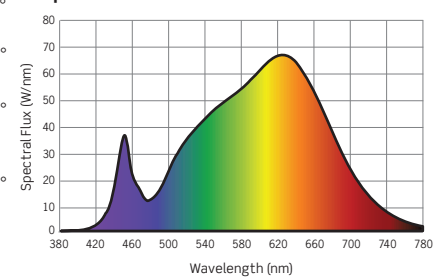
Intensity Distribution

DISTANCE (FT.)	FOOTCANDLES (FC)	BEAM DIAMETER (FT.)
6 FT	60.0	9.7
8 FT	33.8	12.9
10 FT	21.6	16.2
12 FT	15.0	19.4
14 FT	11.0	22.7
16 FT	8.4	25.9

Candela Curve



Spectral Power Distribution Chart⁴



1. Accuracy of Rendering Colors 2. Color Appearance of Light Source 3. Dependent on Surrounding Temperatures 4. Colors Present within the Light Source

PHOTOMETRIC MULTIPLICATION FACTORS

Lumen output values fluctuate based on Color Temperature, Luminaire Wattage/Output and Shade Finish. To estimate lumen output of these various options, multiply 3000K results by the following:

CCT MULTIPLIERS			
CCT	STD CRI	CCT	STD CRI
2700K	0.96	3500K	1.05
3000K	N/A	4000K	1.08

VINTAGE STEEL FINISH MULTIPLIERS	
SHADE SIZE	MULTIPLIER
DHB10	0.66
DHB14	0.62
DHB18	0.64

DATE

PROJECT

TYPE

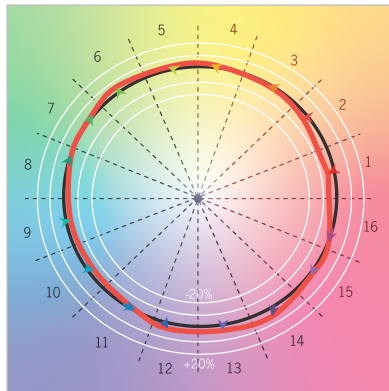
VC SERIES | LED Vintage RLM: Deep-Bowl Shade

TM-30 DATA: VCDSDB18LDD3030KLG1

18-Inch Deep Bowl Shade with Sky White Interior, 3000K

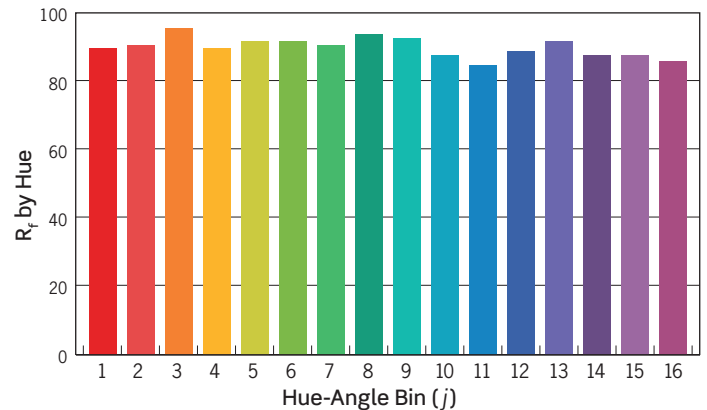
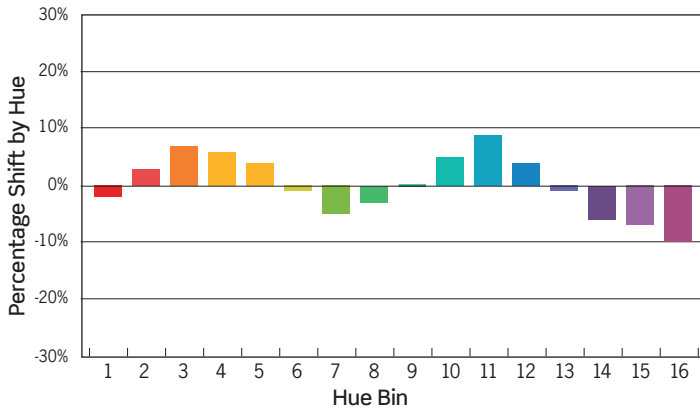
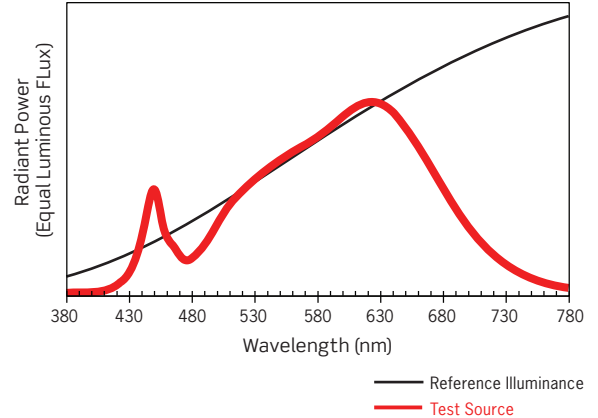
R_f	91
R_g	101
CCT(K)	3067K
D_{uv}	0.0015
u^I	0.2477
v^I	0.5221

Color Vector Graphic



— Reference Illuminance — Test Source

Spectral Power Distribution Comparison



HUE BIN	1	2	3	4	5	6	7	8	9	10	11	12	13	14	15	16
HUE SHIFT	-2%	3%	7%	6%	4%	-1%	-5%	-3%	0%	5%	9%	4%	-1%	-6%	-7%	-10%
R _f VALUE	91	92	87	91	93	93	92	95	94	89	86	90	93	89	89	87

ANSI/IES TM-30-18 Color Rendition Report Test No. S21111101
Colors are for visual orientation purposes only