

DATE

PROJECT

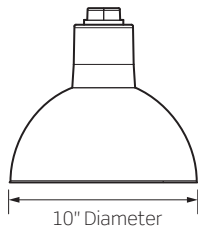
TYPE

VC SERIES | E26 Vintage RLM: Deep Bowl Shade



- Classic style RLM Luminaires inspired by vintage fixtures and redesigned with the latest technology and materials
- Multiple Mounting Options for a wide range of applications
- Durable weather resistant Polyester Powder Coat Finishes, Electrostatically applied and Thermo-Cured

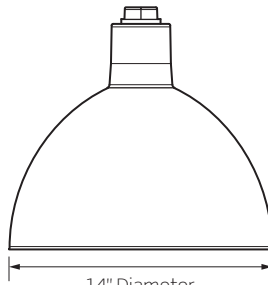
E26



10" Diameter

DB10

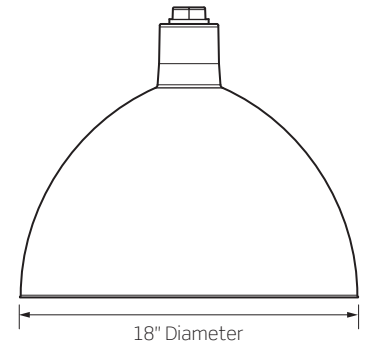
10 Inch Deep-Bowl Shade



14" Diameter

DB14



14 Inch Deep-Bowl Shade



18" Diameter

DB18

18 Inch Deep-Bowl Shade

MAX. WATTAGE	(1) 120V E26 Medium Screw Base Edison Socket; 150W Max Outdoor; 300W Max Indoor
INPUT POWER	120VAC 60Hz
DIMMING TYPE	Determined by the Lamp/Bulb used with fixture
AMBIENT OPERATING TEMP	Determined by Temperature Ratings of E26 Base Lamp used with fixture (provided by others)
  LISTINGS	cCSAus Listed to UL and CSA Standards; Suitable for Dry, Damp or Wet locations Sloped Ceiling Pendants (HSM) only suitable for Dry or Damp Locations Wet Location Pendants and Flush Mount Luminaires must be mounted under covered ceilings
WARRANTY	One (1) year replacement after date of purchase

DATE	PROJECT	TYPE
------	---------	------

VC SERIES | E26 Vintage RLM: Deep Bowl Shade

ORDERING INFORMATION

Example Order: -

1. Shade Size	2. Lamp	3. Mounting	4. Finish ³
VCDSDB10 - 10 In. VCDSDB14 - 14 In. VCDSDB18 - 18 In.	E26 - E26 Medium Screw Base	FC - 10 Ft. Field Adj. Cord Pendant FM - Flush Mount LSM6¹ - 6 In. Stem Mount Pendant LSM12¹ - 12 In. Stem Mount Pendant LSM24¹ - 24 In. Stem Mount Pendant LSM36¹ - 36 In. Stem Mount Pendant HSM6¹ - 6 In. Stem Mount Pendant, Sloped Ceiling Canopy HSM12¹ - 12 In. Stem Mount Pendant, Sloped Ceiling Canopy HSM24¹ - 24 In. Stem Mount Pendant, Sloped Ceiling Canopy HSM36¹ - 36 In. Stem Mount Pendant, Sloped Ceiling Canopy LGN1² - Gooseneck Design 1 LGN2² - Gooseneck Design 2 LGN3² - Gooseneck Design 3 LGN4² - Gooseneck Design 4 LGN5² - Gooseneck Design 5	B - Jet Black G - Evergreen P - Sky White S - Vintage Steel CXXXX⁴ - Custom Finish <i>Specify RAL Number</i>

1. All Stems have 3/4 Inch NPT (National Pipe Taper) Threaded Ends
 2. See Page 4 for Gooseneck Design Options
 3. Finish Selection determines Shade and Mounting Hardware colors; Interior of all Shades is Sky White, except Vintage Steel. Vintage Steel Shade will have the same finish on interior and exterior of Shade and comes with a Black Cord when using Flexible Cord
 4. Custom Finish will require additional lead time and extra charge

The following pages will walk through ordering details

DATE

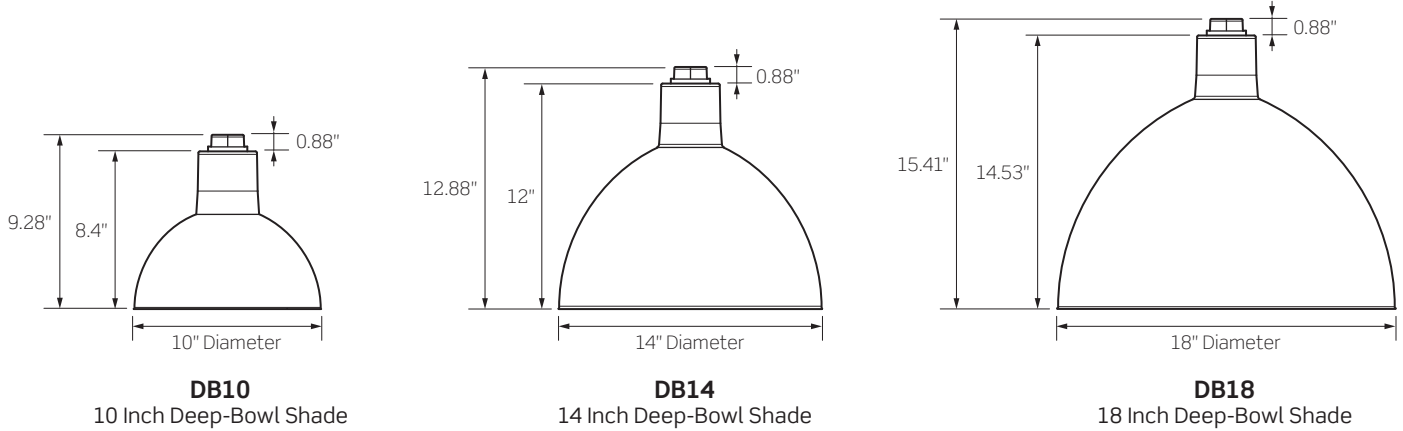
PROJECT

TYPE

VC SERIES | E26 Vintage RLM: Deep Bowl Shade

ORDERING INFORMATION

STEP 1 | Select Shade Size



STEP 2 | Select E26 Option

- (1) 120V E26 Medium Screw Base Edison Socket; 150W Max Outdoor; 300W Max Indoor

Lamp Base

E26 - 120V E26 Medium Screw Base Edison Socket

DATE

PROJECT

TYPE

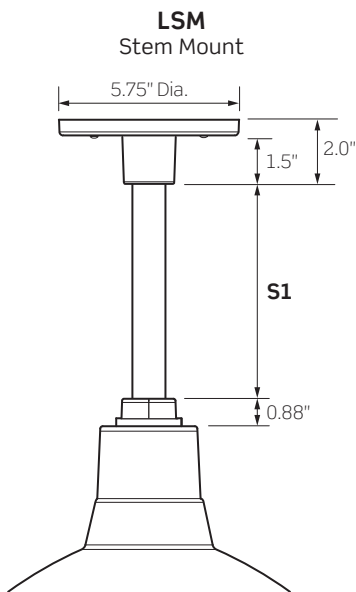
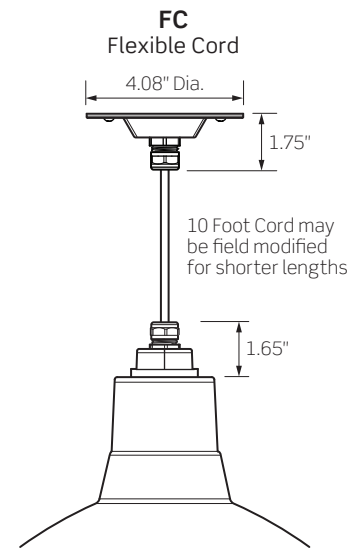
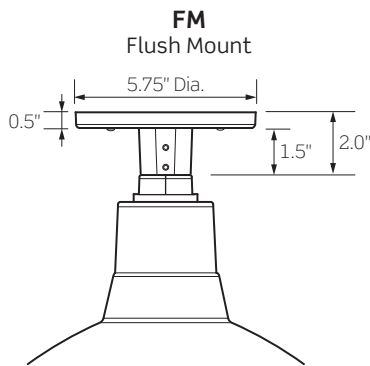
VC SERIES | E26 Vintage RLM: Deep Bowl Shade

ORDERING INFORMATION

STEP 3 | Select Mounting Style

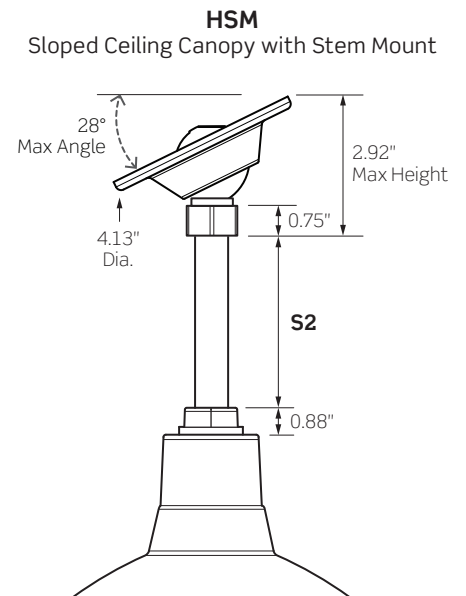
CANOPY OPTIONS

Note: 3.5 Inch Center-to-Center Mounting Holes (0.2 inch dia.) for all Canopy Options



Standard Stem Lengths:
6, 12, 24 and 36 Inch

VISIBLE STEM LENGTHS		
Mount	LSM (S1)	HSM (S2)
6 In. Nominal	3.88"	4.25"
12 In. Nominal	9.88"	10.25"
24 In. Nominal	21.88"	22.25"
36 In. Nominal	33.88"	34.25"



Gooseneck Options follow

DATE

PROJECT

TYPE

VC SERIES | E26 Vintage RLM: Deep Bowl Shade

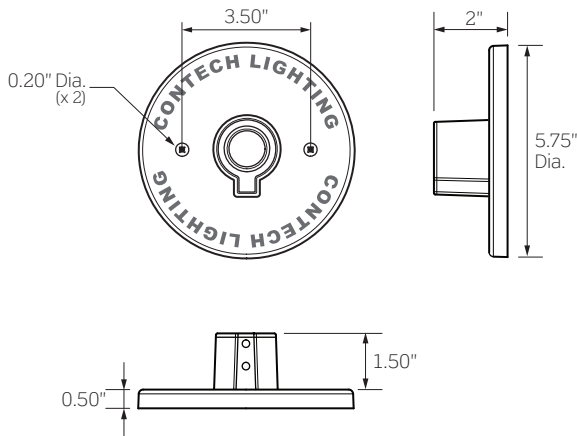
ORDERING INFORMATION

STEP 3 | Select Mount

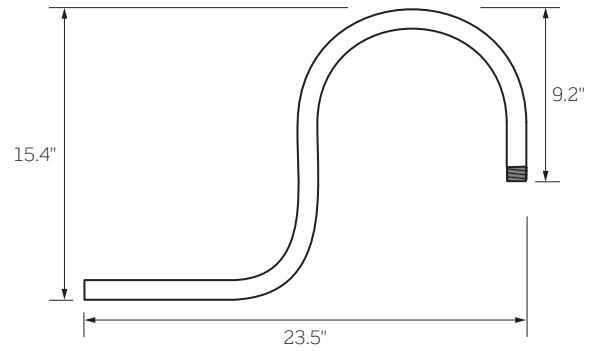
3/4-INCH NPT GOOSENECKS

Gooseneck Wall Flange

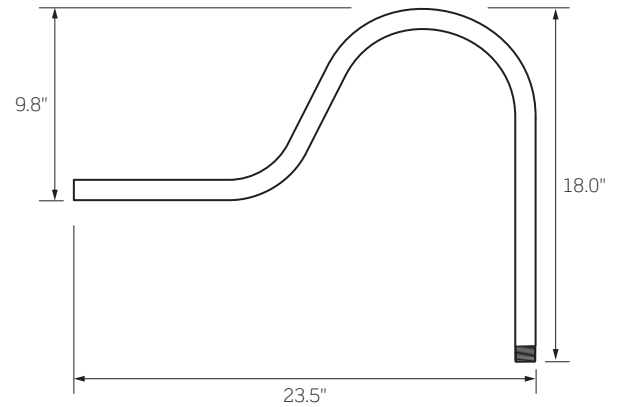
Included with Gooseneck



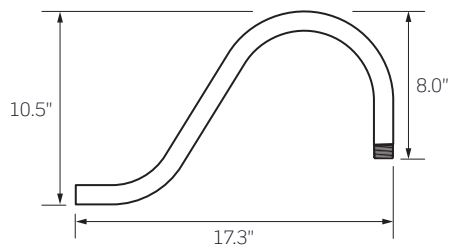
LGN3



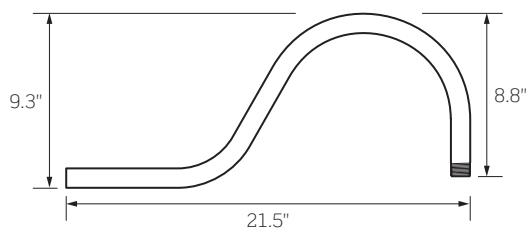
LGN4



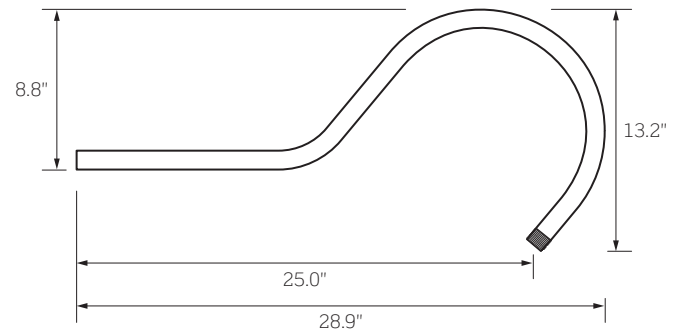
LGN1



LGN2



LGN5



DATE

PROJECT

TYPE

VC SERIES | E26 Vintage RLM: Deep Bowl Shade

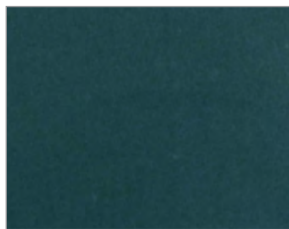
ORDERING INFORMATION

STEP 4 | Select Finish

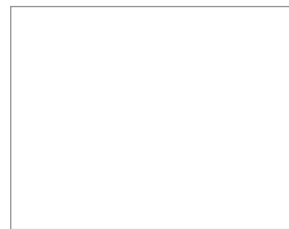
- Finish selection determines Shade and Mounting Hardware colors
- Interior of all Shades is Sky White, except Vintage Steel. Vintage Steel Shade will have the same finish on interior and exterior of Shade
- Vintage Steel, Jet Black and Evergreen finishes will come with a Black Cord if using Flexible Cord
- Sky White finish will come with a White Cord if using Flexible Cord
- Custom Finish will require additional lead time and extra charge



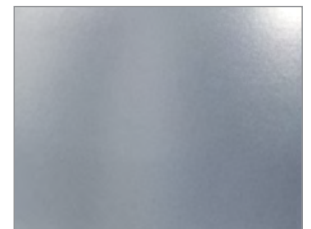
B - Jet Black



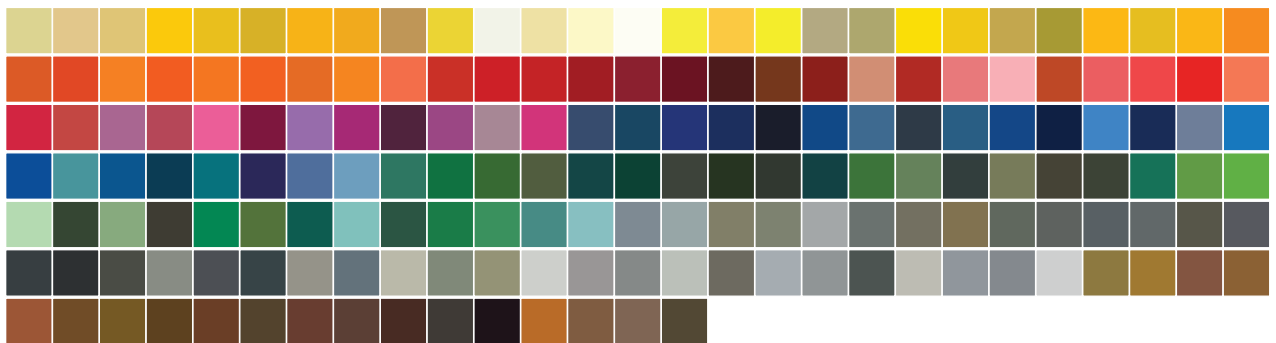
G - Evergreen



P - Sky White



S - Vintage Steel



CXXXX - Custom Finish
Specify RAL Number

For a list of 177 Custom Finish RAL numbers, see Vintage RLM RAL Colors data sheet

PRODUCT CONSTRUCTION

- **SHADES:** Powder Coated Spun Aluminum
- **WALL FLANGES, CANOPIES and SHADE NUTS:** Powder Coated Cast Aluminum
- **GOOSENECKS:** Powder Coated Schedule 40 Aluminum Pipe
- **STEMS:** Powder Coated Schedule 40 Carbon Steel Pipe
- **EXPOSED HARDWARE:** Stainless Steel