

DATE

PROJECT

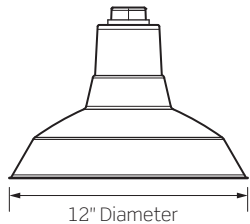
TYPE

# VC SERIES | E26 Vintage RLM: Warehouse Shade

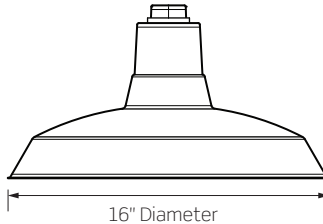


- Classic style RLM Luminaires inspired by vintage fixtures and redesigned with the latest technology and materials
- Multiple Mounting Options for a wide range of applications
- Durable weather resistant Polyester Powder Coat Finishes, Electrostatically applied and Thermo-Cured

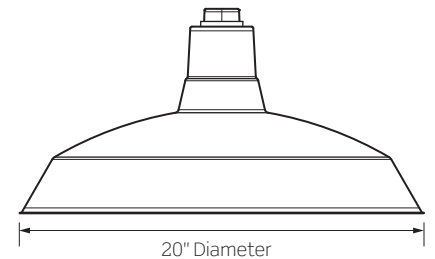
**E26**





**WH12**  
12 Inch Warehouse Shade



**WH16**  
16 Inch Warehouse Shade



**WH20**  
20 Inch Warehouse Shade

MAX. WATTAGE	(1) 120V E26 Medium Screw Base Edison Socket; 150W Max Outdoor; 300W Max Indoor
INPUT POWER	120VAC 60Hz
DIMMING TYPE	Determined by the Lamp/Bulb used with fixture
AMBIENT OPERATING TEMP	Determined by Temperature Ratings of E26 Base Lamp used with fixture (provided by others)
  LISTINGS	cCSAus Listed to UL and CSA Standards; Suitable for Dry, Damp or Wet locations Sloped Ceiling Pendants (HSM) only suitable for Dry or Damp Locations Wet Location Pendants and Flush Mount Luminaires must be mounted under covered ceilings
WARRANTY	One (1) year replacement after date of purchase

DATE	PROJECT	TYPE
------	---------	------

# VC SERIES | E26 Vintage RLM: Warehouse Shade

## ORDERING INFORMATION

Example Order:  -

1. Shade Size	2. Lamp	3. Mounting	4. Finish <sup>3</sup>
<b>VCDSWH12</b> - 12 In. <b>VCDSWH16</b> - 16 In. <b>VCDSWH20</b> - 20 In.	<b>E26</b> - E26 Medium Screw Base	<b>FC</b> - 10 Ft. Field Adj. Cord Pendant <b>FM</b> - Flush Mount <b>LSM6<sup>1</sup></b> - 6 In. Stem Mount Pendant <b>LSM12<sup>1</sup></b> - 12 In. Stem Mount Pendant <b>LSM24<sup>1</sup></b> - 24 In. Stem Mount Pendant <b>LSM36<sup>1</sup></b> - 36 In. Stem Mount Pendant <b>HSM6<sup>1</sup></b> - 6 In. Stem Mount Pendant, Sloped Ceiling Canopy <b>HSM12<sup>1</sup></b> - 12 In. Stem Mount Pendant, Sloped Ceiling Canopy <b>HSM24<sup>1</sup></b> - 24 In. Stem Mount Pendant, Sloped Ceiling Canopy <b>HSM36<sup>1</sup></b> - 36 In. Stem Mount Pendant, Sloped Ceiling Canopy <b>LGN1<sup>2</sup></b> - Gooseneck Design 1 <b>LGN2<sup>2</sup></b> - Gooseneck Design 2 <b>LGN3<sup>2</sup></b> - Gooseneck Design 3 <b>LGN4<sup>2</sup></b> - Gooseneck Design 4 <b>LGN5<sup>2</sup></b> - Gooseneck Design 5	<b>B</b> - Jet Black <b>G</b> - Evergreen <b>P</b> - Sky White <b>S</b> - Vintage Steel <b>CXXXX<sup>4</sup></b> - Custom Finish <i>Specify RAL Number</i>

1. All Stems have 3/4-Inch NPT (National Pipe Taper) Threaded Ends  
 2. See Page 4 for Gooseneck Design Options  
 3. Finish Selection determines Shade and Mounting Hardware colors; Interior of all Shades is Sky White, except Vintage Steel. Vintage Steel Shade will have the same finish on interior and exterior of Shade and comes with a Black Cord when using Flexible Cord  
 4. Custom Finish will require additional lead time and extra charge

The following pages will walk through ordering details

DATE

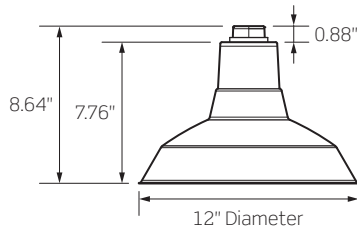
PROJECT

TYPE

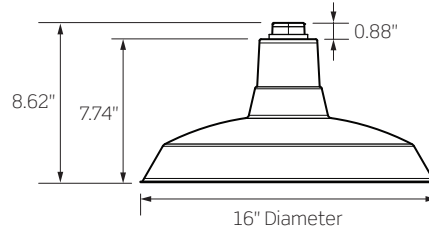
# VC SERIES | E26 Vintage RLM: Warehouse Shade

## ORDERING INFORMATION

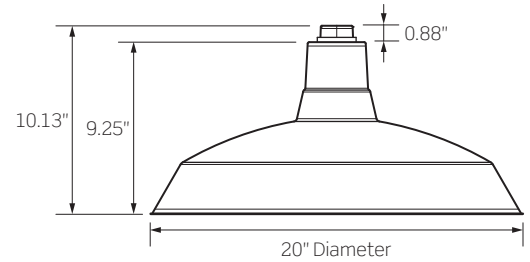
### STEP 1 | Select Shade Size



**WH12**  
12 Inch Warehouse Shade



**WH16**  
16 Inch Warehouse Shade



**WH20**  
20 Inch Warehouse Shade

### STEP 2 | Select E26 Option

- (1) 120V E26 Medium Screw Base Edison Socket; 150W Max Outdoor; 300W Max Indoor

#### Lamp Base

**E26** - 120V E26 Medium Screw Base Edison Socket

DATE

PROJECT

TYPE

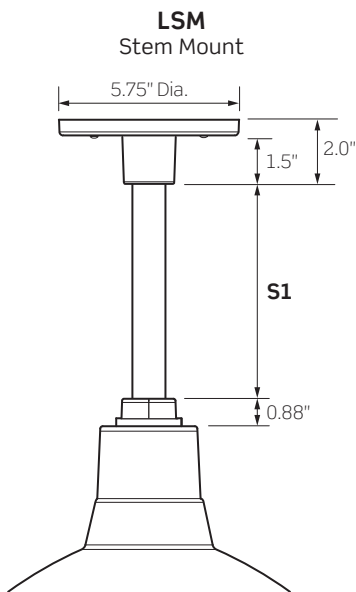
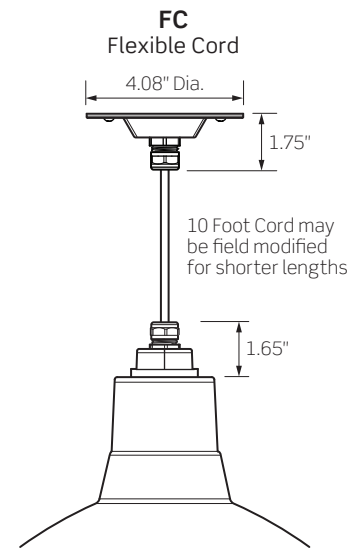
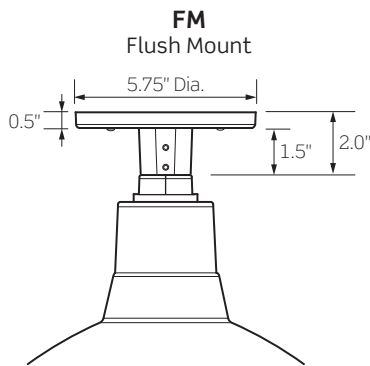
# VC SERIES | E26 Vintage RLM: Warehouse Shade

## ORDERING INFORMATION

### STEP 3 | Select Mounting Style

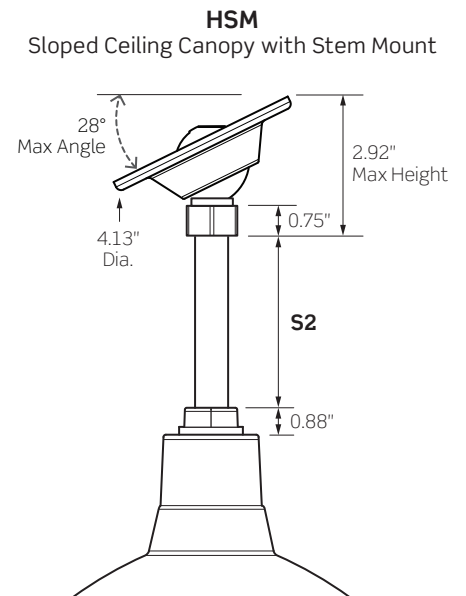
#### CANOPY OPTIONS

**Note:** 3.5 Inch Center-to-Center Mounting Holes (0.2 inch dia.) for all Canopy Options



**Standard Stem Lengths:**  
6, 12, 24 and 36 Inch

VISIBLE STEM LENGTHS		
Mount	LSM (S1)	HSM (S2)
6 In. Nominal	3.88"	4.25"
12 In. Nominal	9.88"	10.25"
24 In. Nominal	21.88"	22.25"
36 In. Nominal	33.88"	34.25"



Gooseneck Options follow

DATE

PROJECT

TYPE

# VC SERIES | E26 Vintage RLM: Warehouse Shade

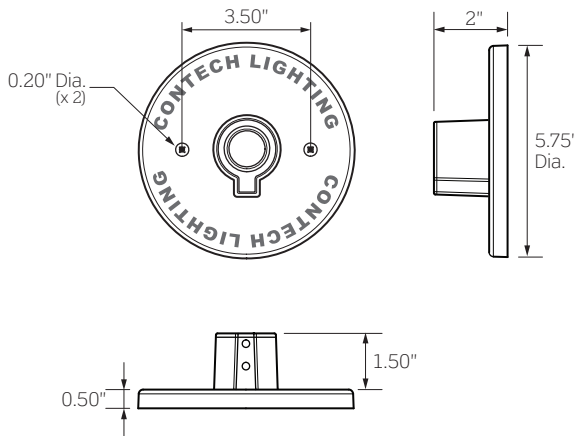
## ORDERING INFORMATION

### STEP 3 | Select Mount

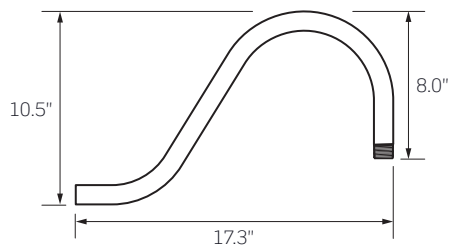
#### 3/4-INCH NPT GOOSENECKS

##### Gooseneck Wall Flange

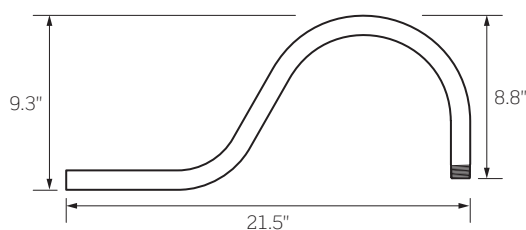
Included with Gooseneck



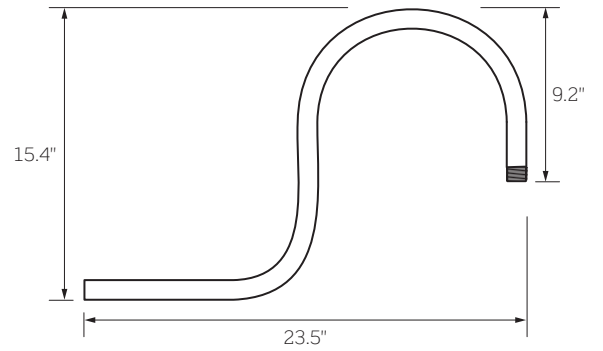
##### LGN1



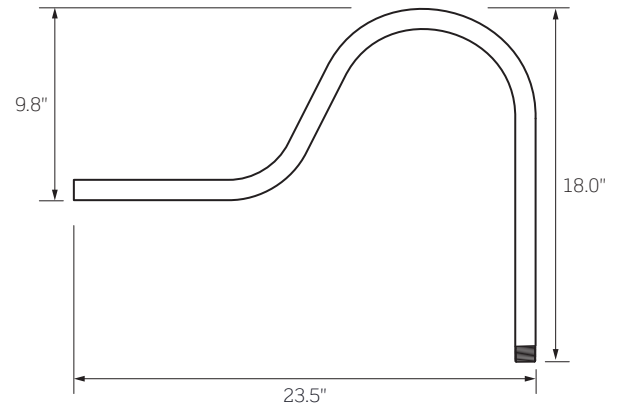
##### LGN2



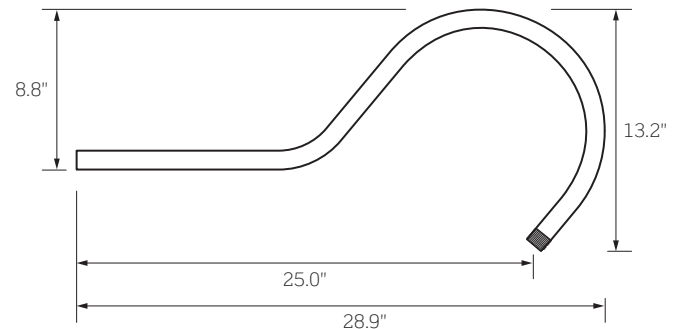
##### LGN3



##### LGN4



##### LGN5



DATE

PROJECT

TYPE

# VC SERIES | E26 Vintage RLM: Warehouse Shade

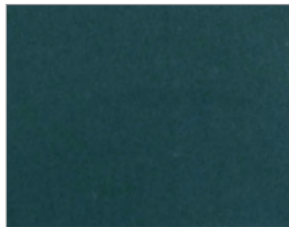
## ORDERING INFORMATION

### STEP 4 | Select Finish

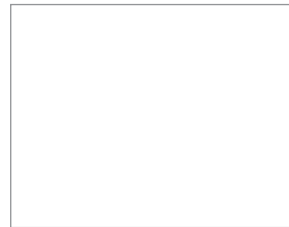
- Finish selection determines Shade and Mounting Hardware colors
- Interior of all Shades is Sky White, except Vintage Steel. Vintage Steel Shade will have the same finish on interior and exterior of Shade
- Vintage Steel, Jet Black and Evergreen finishes will come with a Black Cord if using Flexible Cord
- Sky White finish will come with a White Cord if using Flexible Cord
- Custom Finish will require additional lead time and extra charge



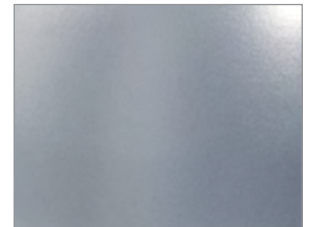
B - Jet Black



G - Evergreen



P - Sky White



S - Vintage Steel



CXXXX - Custom Finish  
Specify RAL Number

For a list of 177 Custom Finish RAL numbers, see Vintage RLM RAL Colors data sheet

## PRODUCT CONSTRUCTION

- **SHADES:** Powder Coated Spun Aluminum
- **WALL FLANGES, CANOPIES and SHADE NUTS:** Powder Coated Cast Aluminum
- **GOOSENECKS:** Powder Coated Schedule 40 Aluminum Pipe
- **STEMS:** Powder Coated Schedule 40 Carbon Steel Pipe
- **EXPOSED HARDWARE:** Stainless Steel