

DATE

PROJECT

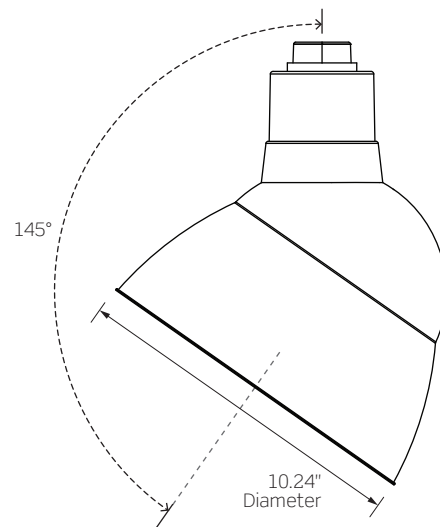
TYPE

VC SERIES | LED Vintage RLM: Angled Sign Lighter






LED

- Classic style RLM Luminaires inspired by vintage fixtures and redesigned with the latest technology and materials
- Multiple Mounting Options for a wide range of applications
- Durable weather resistant Polyester Powder Coat Finishes, Electrostatically applied and Thermo-Cured



SA10
10 Inch Angled Sign Lighter

WATTAGE	10W	14W	18W	22W	36W
LUMEN OUTPUT (3000K) ¹	950 Lm	1300 Lm	1650 Lm	2000 Lm	3000 Lm
COLOR TEMPERATURE	2700K / 3000K / 3500K / 4000K				
CRI	90+				
COLOR CONSISTENCY	3- Step MacAdam Ellipse Tolerance, 3 SDCM				
INPUT POWER	120 - 277VAC 60Hz				
DIMMING TYPE	0-10V Dimming				
AMBIENT OPERATING TEMP	-30°C (-22°F) to 45°C (113°F)				
   LISTINGS	cCSAus Listed to UL and CSA Standards; Suitable for Dry, Damp or Wet locations ² Can be used to comply with the 2019 Title 24 Part 6 JA8 High Efficacy LED Light Source Requirements Wet Location Pendants and Flush Mount Luminaires must be mounted under covered ceilings ²				
WARRANTY	Five (5) year replacement after date of purchase				
SYSTEM RATING	50,000 Hours @ 70% Lumen Maintenance				

1. Approximate Lumen output based on 3000K performance; see photometric test results for additional information
2. Sloped Ceiling Pendants (HSM) only suitable for Dry or Damp Locations

DATE

PROJECT

TYPE

VC SERIES | LED Vintage RLM: Angled Sign Lighter

ORDERING INFORMATION

Example Order: -

1. Shade Size	2. LED Series	Color Temp	3. Mounting	4. Finish ⁵
VCLSA10 - 10 In.	LDD8 - 10W LDD12 - 14W LDD16 - 18W LDD20 - 22W LDD30 - 36W	27K - 2700K 30K - 3000K 35K - 3500K 40K - 4000K	FM - Flush Mount LSM6³ - 6 In. Stem Mount Pendant LSM12³ - 12 In. Stem Mount Pendant LSM24³ - 24 In. Stem Mount Pendant LSM36³ - 36 In. Stem Mount Pendant HSM6³ - 6 In. Stem Mount Pendant, Sloped Ceiling Canopy HSM12³ - 12 In. Stem Mount Pendant, Sloped Ceiling Canopy HSM24³ - 24 In. Stem Mount Pendant, Sloped Ceiling Canopy HSM36³ - 36 In. Stem Mount Pendant, Sloped Ceiling Canopy LGN1⁴ - Gooseneck Design 1 LGN2⁴ - Gooseneck Design 2 LGN3⁴ - Gooseneck Design 3 LGN4⁴ - Gooseneck Design 4 LGN5⁴ - Gooseneck Design 5	B - Jet Black G - Evergreen P - Sky White S - Vintage Steel CXXXX⁶ - Custom Finish <i>Specify RAL Number</i>

3. All Stems have 3/4-Inch NPT (National Pipe Taper) Threaded Ends
 4. See Page 4 for Gooseneck Design Options
 5. Finish Selection determines Shade and Mounting Hardware colors; Interior of all Shades is Sky White, except Vintage Steel. Vintage Steel Shade will have the same finish on interior and exterior of Shade
 6. Custom Finish will require additional lead time and extra charge

The following pages will walk through ordering details

DATE

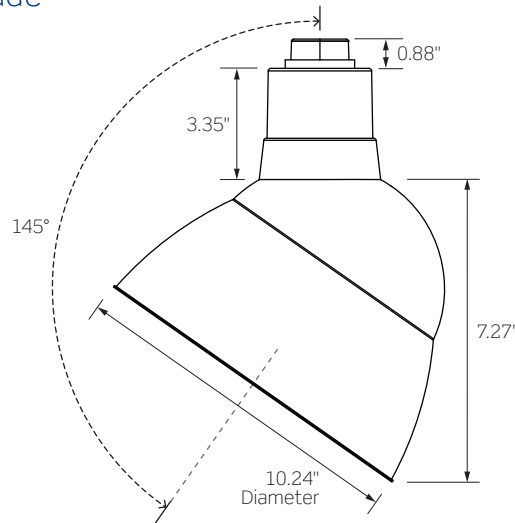
PROJECT

TYPE

VC SERIES | LED Vintage RLM: Angled Sign Lighter

ORDERING INFORMATION

STEP 1 | Select Shade



SA10
10 Inch Angled Sign Lighter

STEP 2 | Select LED Option

- 120 - 277 VAC Input
- 0 - 10V Dimming
- 2700K, 3000K, 3500K, 4000K
- 90 +CRI
- Color Consistency within a 3-Step MacAdam Ellipse Tolerance; 3 SDCM
- Frosted Domed Lens
- The following dimmers are compatible and provide dimming down to 1.1%:
Leviton IP710, Lutron Diva DVSTV-WH, Lutron Nova NTSTV-DV

LED	LED Series	Color Temp
LDD - LED with Domed Frosted Lens	8 - 10W	27K - 2700K
	12 - 14W	30K - 3000K
	16 - 18W	35K - 3500K
	20 - 22W	40K - 4000K
	30 - 36W	

DELIVERED OUTPUT

3000K, 90CRI, Frosted Domed Lens, Sky White Interior Shade Finish

WATTAGE	10W		14W		18W		22W		36W	
	LUMENS*	LM/W	LUMENS*	LM/W	LUMENS*	LM/W	LUMENS*	LM/W	LUMENS*	LM/W
SL10	967	96	1326	96	1667	94	1988	91	2971	83

*For Vintage Steel shade finish, multiply delivered lumens by 0.62

DATE

PROJECT

TYPE

VC SERIES | LED Vintage RLM: Angled Sign Lighter

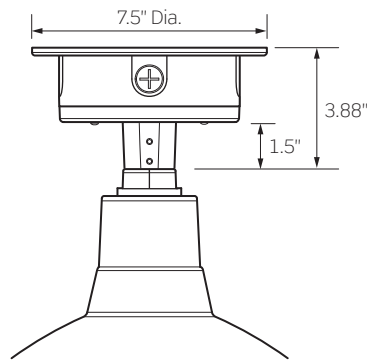
ORDERING INFORMATION

STEP 3 | Select Mounting Style

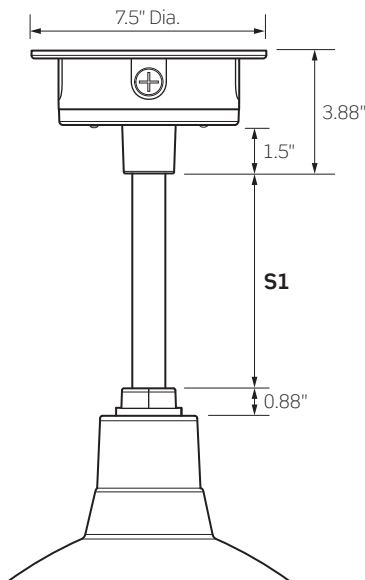
CANOPY OPTIONS

FM

Flush Mount with LED Driver Housing



LSM Stem Mount

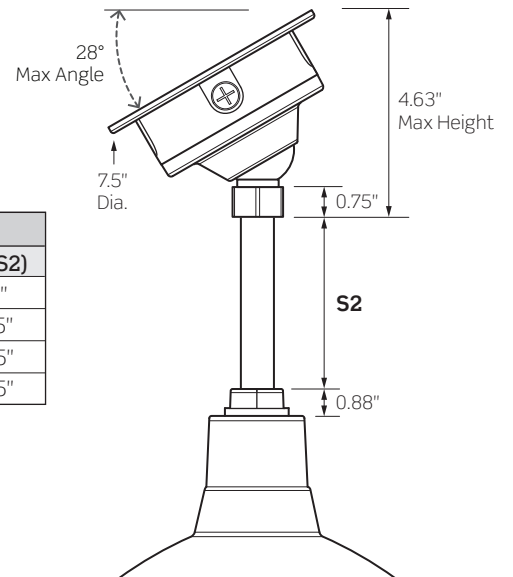


Standard Stem Lengths:
6, 12, 24 and 36 Inch

VISIBLE STEM LENGTHS		
Mount	LSM (S1)	HSM (S2)
6 In. Nominal	3.88"	4.25"
12 In. Nominal	9.88"	10.25"
24 In. Nominal	21.88"	22.25"
36 In. Nominal	33.88"	34.25"

HSM

Sloped Ceiling Canopy with Stem Mount



Gooseneck Options follow

DATE

PROJECT

TYPE

VC SERIES | LED Vintage RLM: Angled Sign Lighter

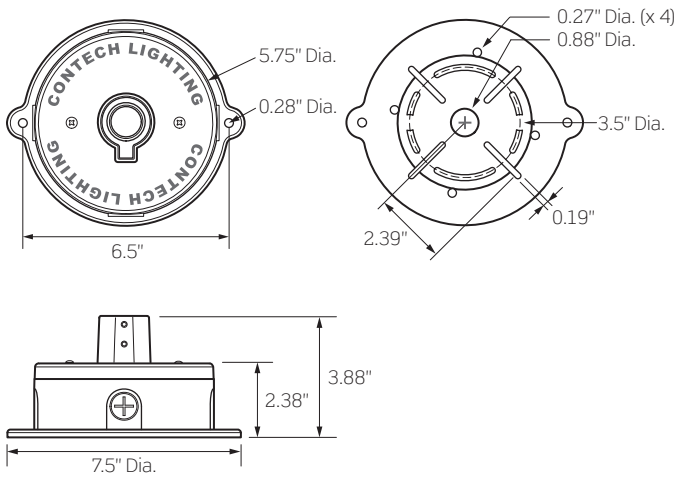
ORDERING INFORMATION

STEP 3 | Select Mount

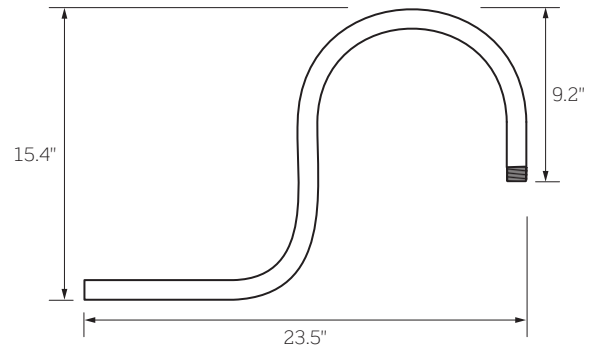
3/4-INCH NPT GOOSENECKS

Wall Flange & Driver Compartment

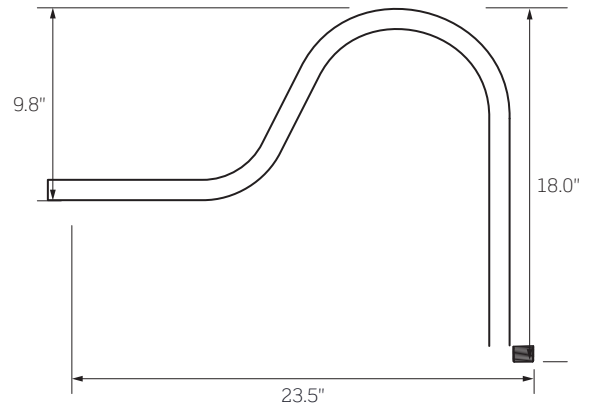
Included with Gooseneck



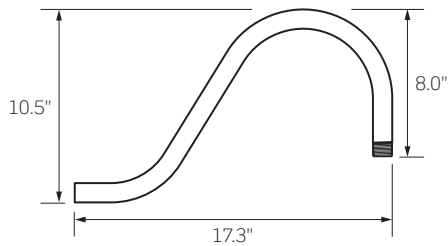
LGN3



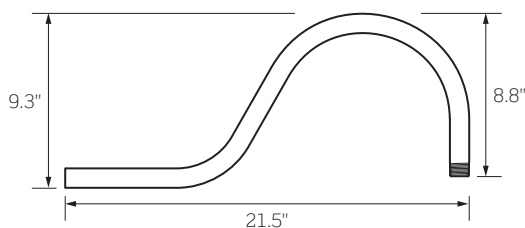
LGN4



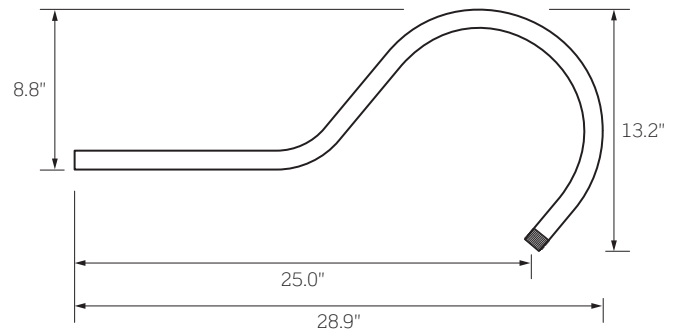
LGN1



LGN2



LGN5



DATE

PROJECT

TYPE

VC SERIES | LED Vintage RLM: Angled Sign Lighter

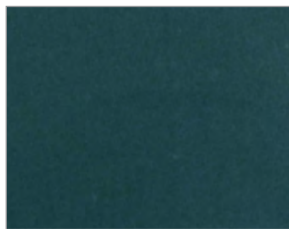
ORDERING INFORMATION

STEP 4 | Select Finish

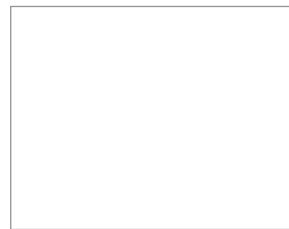
- Standard finishes are high gloss polyester powder coat with excellent corrosion resistance properties
- Finish selection determines Shade and Mounting Hardware colors
- Interior of all Shades is Sky White, except Vintage Steel. Vintage Steel Shade will have the same finish on interior and exterior of Shade
- Custom Finish will require additional lead time and extra charge



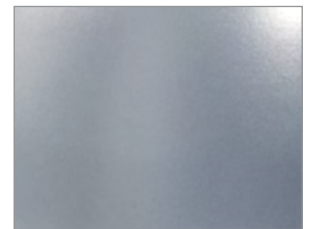
B - Jet Black



G - Evergreen



P - Sky White



S - Vintage Steel



CXXXX - Custom Finish
Specify RAL Number

For a list of 177 Custom Finish RAL numbers, see Vintage RLM RAL Colors data sheet

PRODUCT CONSTRUCTION

- **SHADES:** Powder Coated Spun Aluminum
- **ENCLOSURE** and **CONDUIT PLUGS:** Powder Coated Cast Aluminum
- **DOMED LENS:** Polycarbonate
- **WALL FLANGES, CANOPIES** and **SHADE NUTS:** Powder Coated Cast Aluminum
- **GOOSENECKS:** Powder Coated Schedule 40 Aluminum Pipe
- **STEMS:** Powder Coated Schedule 40 Carbon Steel Pipe
- **EXPOSED HARDWARE:** Stainless Steel

DATE

PROJECT

TYPE

VC SERIES | LED Vintage RLM: Angled Sign Lighter

PHOTOMETRICS

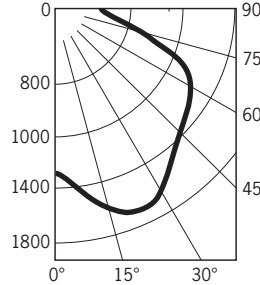
VCSLDSA10: 10-Inch Angled Sign Lighter, White Interior, 3000Lm, 3000K

Fixture Delivered Lumens: 2971.4
 Total Watts@120V: 35.9
 Lumens Per Watt: 82.8
 Center Beam Candle Power: 1709.5
 Beam Distribution: 85.2°
 Spacing Criterion: 1.10
 Color Rendering Index (CRI)¹: 90.8
 Color Temperature (CCT)²: 3067K
 Designed for 50,000 Hour Lamp Life³
 LM-63 Test No. G21120606
 LM-79 Test No. S21111101

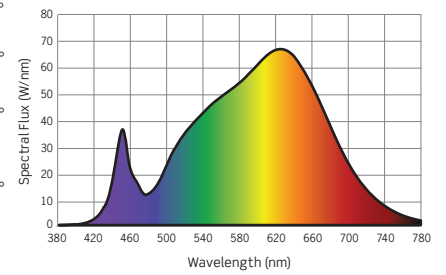
Intensity Distribution

DISTANCE (FT.)	FOOTCANDLES (FC)	BEAM DIAMETER (FT.)
6 FT	35.5	18.4
8 FT	20.0	24.5
10 FT	12.8	30.6
12 FT	8.9	36.7
14 FT	6.5	42.9
16 FT	5.0	49.0

Candela Curve



Spectral Power Distribution Chart⁴



1. Accuracy of Rendering Colors 2. Color Appearance of Light Source 3. Dependent on Surrounding Temperatures 4. Colors Present within the Light Source

PHOTOMETRIC MULTIPLICATION FACTORS

Lumen output values fluctuate based on Color Temperature, Luminaire Wattage/Output and Shade Finish. To estimate lumen output of these various options, multiply 3000K results by the following:

CCT MULTIPLIERS			
CCT	STD CRI	CCT	STD CRI
2700K	0.96	3500K	1.05
3000K	N/A	4000K	1.08

VINTAGE STEEL FINISH MULTIPLIER
0.62

DATE

PROJECT

TYPE

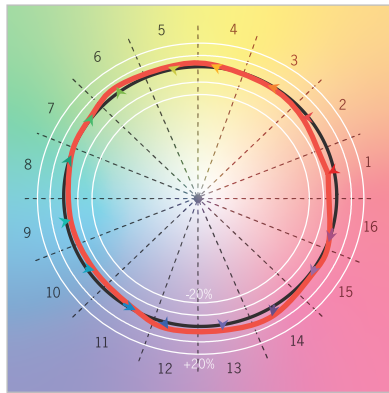
VC SERIES | LED Vintage RLM: Angled Sign Lighter

TM-30 DATA: VCSLSA10LDD3030K

10-Inch Angled Sign Lighter, White Interior, 3000Lm, 3000K

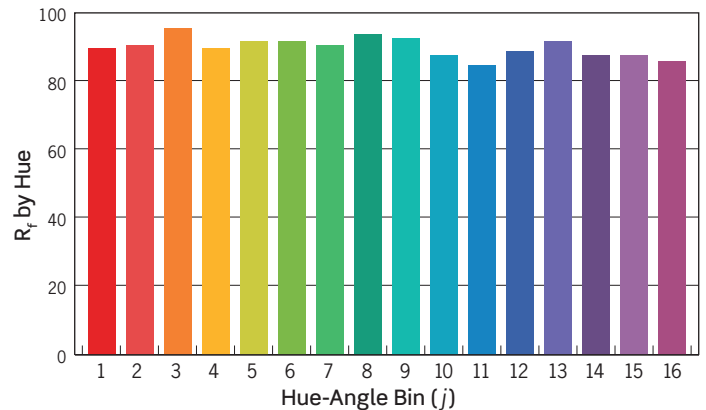
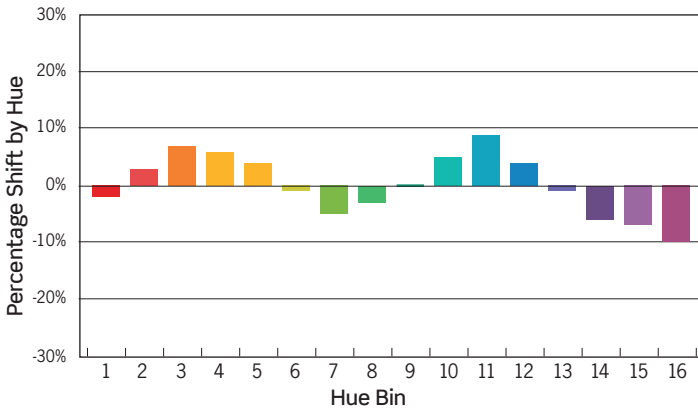
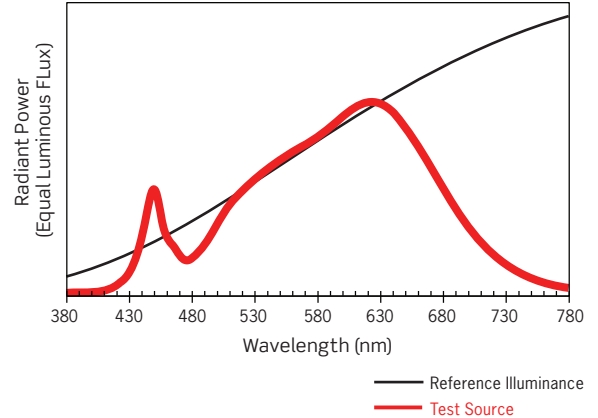
R_f	91
R_g	101
CCT(K)	3067K
D_{uv}	0.0015
u^I	0.2477
v^I	0.5221

Color Vector Graphic



— Reference Illuminance — Test Source

Spectral Power Distribution Comparison



HUE BIN	1	2	3	4	5	6	7	8	9	10	11	12	13	14	15	16
HUE SHIFT	-2%	3%	7%	6%	4%	-1%	-5%	-3%	0%	5%	9%	4%	-1%	-6%	-7%	-10%
R_f VALUE	91	92	87	91	93	93	92	95	94	89	86	90	93	89	89	87

ANSI/IES TM-30-18 Color Rendition Report Test No. S21111101
Colors are for visual orientation purposes only