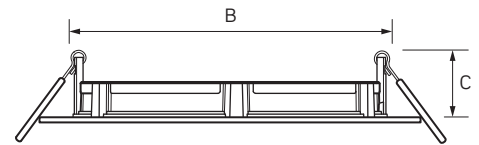
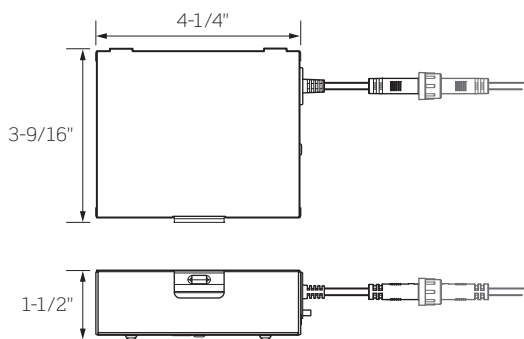
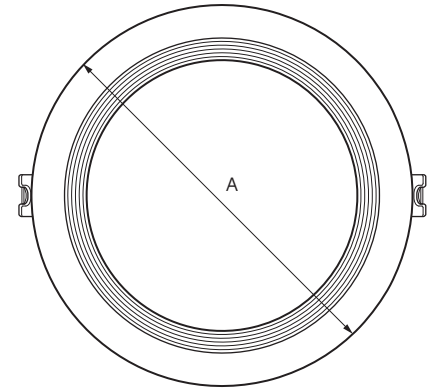


DATE

PROJECT

TYPE

WFBR SERIES | WayFlex Round Baffle Slim Downlights



	A	B	C	Ceiling Cut-Out	Total Cable Length
WFBR4	5-1/16"	4-1/8"	1-3/16"	4-1/4"	14-3/8"
WFBR6	7-3/16"	6-1/8"	1-3/16"	6-1/4"	14-3/8"
WFBR8	9"	8-1/8"	1-3/16"	8-1/4"	14-3/8"

Recommended Ceiling Thickness: 1" Max.

	WFBR4	WFBR6	WFBR8
SIZE	4-Inch Round	6-Inch Round	8-Inch Round
LUMEN OUTPUT ¹	900Lm	1200Lm	1400Lm
COLOR TEMPERATURE	Selectable CCT: 2700K / 3000K / 3500K / 4000K / 5000K		
CRI	90+		
INPUT POWER	12W	15W	18W
INPUT VOLTAGE, FREQUENCY	120VAC, 50/60Hz		
DIMMING TYPE	TRIAC (Forward Phase / Reverse Phase) Dimming to 10%		
LISTINGS	cETLus Listed; Suitable for Wet Locations Insulated Ceiling (IC) Rated ENERGY STAR® Certified Can be used to comply with the 2019 Title 24 Part 6 JA8 High Efficacy LED Light Source Requirements Air-tight certified in accordance with ASTM E283 (2012)		
WARRANTY	Five (5) year replacement after date of purchase		
SYSTEM RATING	50,000 Hours @ 70% Lumen Maintenance		

1. Approximate lumen output based on 3000K performance; see photometric test results for additional information

DATE

PROJECT

TYPE

WFBR SERIES | WayFlex Round Baffle Slim Downlights

ORDERING INFORMATION

Example Order: -

Housing	Color Temp/CRI	Driver/Dimming	Finish
WFBR4 - 4-Inch Round Slim Baffle	SW5C - 5-CCT Selectable / 90+ CRI 2700K 3000K 3500K 4000K 5000K	12D - 120V TRIAC Dimming (Forward/Reverse Phase)	MW - Matte White
WFBR6 - 6-Inch Round Slim Baffle			
WFBR8 - 8-Inch Round Slim Baffle			

ACCESSORY ORDERING INFORMATION

NEW CONSTRUCTION MOUNTING PLATE

WFRPLU - Universal Fit New Construction Mounting Plate for 4-, 6- and 8-Inch Round WFBR Series Downlights



DRIVER / JUNCTION BOX EXTENSION CABLES

Extension Cable
WFEC - Driver / Junction Box Extension Cables

Length
6 - 6 Foot
10 - 10 Foot
20 - 20 Foot



TRIM INSERTS

Trim Size

WFBR4TI - 4-Inch Round Trim Insert
WFBR6TI - 6-Inch Round Trim Insert
WFBR8TI - 8-Inch Round Trim Insert

Finish

 **B** - Black
 **BZ** - Bronze
 **NK** - Brushed Nickel



WFBR*TI-NK

DATE

PROJECT

TYPE

WFBR SERIES | WayFlex Round Baffle Slim Downlights

PRODUCT DETAILS

- The WayFlex Round Baffle Slim Downlights are available in 4-, 6- and 8-Inch diameters
- Direct mount downlighting solution that does not require an existing housing or junction box
- Delivering up to 1400 lumens, the WayFlex Series is well suited for most commercial and residential applications
- Regressed lens with baffle providing less glare and improved visual comfort
- Field selectable color temperature

Construction

- IC-Rated die-cast aluminum Housing, matte white painted finish
- Diffuse polycarbonate lens provides soft even illumination across the light emitting surface
- Remote driver (junction box) is constructed of galvanized steel and comes with two (2) conduit pry-outs
- Includes poke-in quick wiring connectors for easy installation
- Closed cell gasket included for use in wet location environments or when restrictive airflow is needed.

Performance Summary

- Field selectable color temperature from 2700K, 3000K, 3500K, 4000K and 5000K; selector switch located on the driver / junction box housing for easy selection prior to installation
- Light engine consists of 90+ CRI LEDs with R9>50 and color accuracy within 4 SDCM
- 120V TRIAC (forward / reverse phase) dimmable driver from 100% - 10%, compatible with standard incandescent dimmers (see Dimmer Compatibility List below)
- Meets Class A sound rating
- Edge-Lit Optical System including light guide and diffusion lens provides a smooth, uniform wide beam distribution.

COMPATIBLE DIMMERS

- Incandescent 120V AC Dimmers adjust the light with *Forward Phase Control*, where the Dimmer “chops” the forward part of the AC Wave to deliver less or more power to the light source. No Neutral Wire Connection required.
- Electronic Low Voltage 120V AC Dimmers adjust the light with *Reverse Phase Control*, where the Dimmer “chops” the back part of the AC Wave to deliver less or more power to the light source. Neutral Wire Connection required.

Supplier	Series	Model No.	Type	Range
Leviton	SureSlide	R62-06674-POW	TRIAC	10-100%
Leviton	IlumaTech	R60-IPL06-10M	TRIAC	10-100%
Lutron	Diva	DVCL-153PR-WH	TRIAC	10-100%
Lutron	Skylark	CTCL-153PDH-WH	TRIAC	10-100%
Lutron	Toggler	TGCL-153PH-WH	TRIAC	10-100%
Lutron	Maestro	MACL-153MH-WH	TRIAC	10-100%
Lutron	Caseta	P-PKG1W-WH-R	TRIAC	10-100%
Lutron	Skylark	SLV-600P-WH	TRIAC	10-100%
Eaton	Eaton Slide	SAL06P-W	TRIAC	10-100%

NOTES

1. Testing was performed with a single luminaire connected to Dimmer.
2. Testing has been performed on these Dimmers, but this does not imply any warranty of compatibility.
3. Dimming performance can be influenced by different Loads, as well as variations in Dimmer Switches within the same Model.
4. Dimmer Maximum Load Rating with LED may differ from published Traditional Source Dimmer Ratings. Consult manufacturer for maximum Dimmer information.
5. Consult factory for additional dimming information.

DATE

PROJECT

TYPE

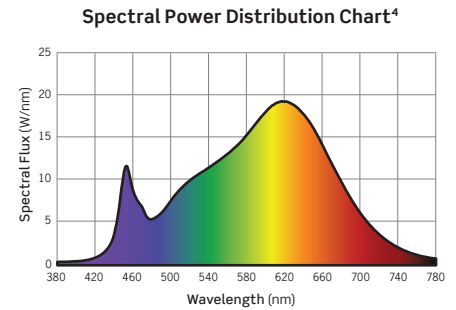
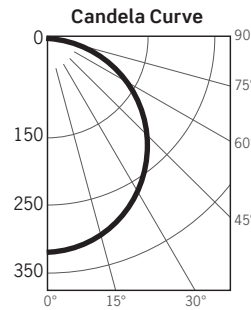
WFBR SERIES | WayFlex Round Baffle Slim Downlights

PHOTOMETRICS

WFBR4-SW5C12D-MW: 4-Inch Round Matte White Slim Baffle

Fixture Delivered Lumens: 867.5
 Total Watts@120V: 11.4
 Lumens Per Watt: 76.1
 Center Beam Candle Power: 318
 Beam Distribution: 111°
 Spacing Criterion: 1.37
 Color Rendering Index (CRI)¹: 93.8
 Color Temperature (CCT)²: 3050K
 Designed for 50,000 Hour Lamp Life³
 LM-63 Test No. G23012004
 LM-79 Test No. S23012004

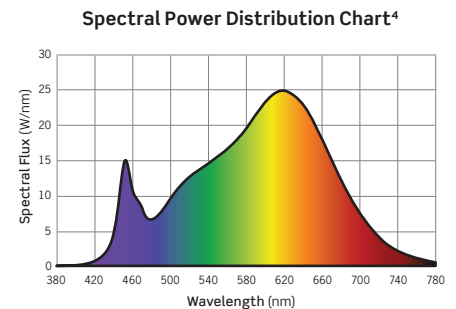
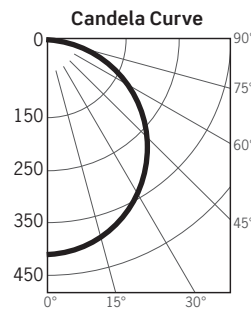
Intensity Distribution		
DISTANCE (FT.)	FOOTCANDLES (FC)	BEAM DIAMETER (FT.)
6 FT	8.8	17.4
8 FT	5.0	23.2
10 FT	3.2	29.0
12 FT	2.2	34.8
14 FT	1.6	40.6
16 FT	1.2	46.4



WFBR6-SW5C12D-MW: 6-Inch Round Matte White Slim Baffle

Fixture Delivered Lumens: 1139.1
 Total Watts@120V: 14.4
 Lumens Per Watt: 79.1
 Center Beam Candle Power: 409
 Beam Distribution: 111°
 Spacing Criterion: 1.37
 Color Rendering Index (CRI)¹: 94.1
 Color Temperature (CCT)²: 3045K
 Designed for 50,000 Hour Lamp Life³
 LM-63 Test No. G23011902
 LM-79 Test No. S23011805

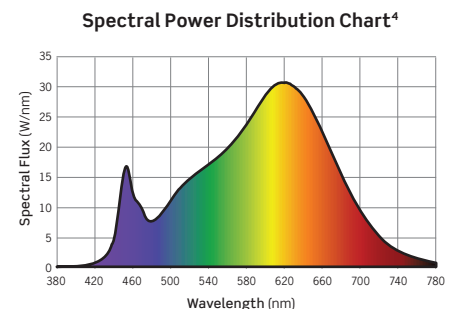
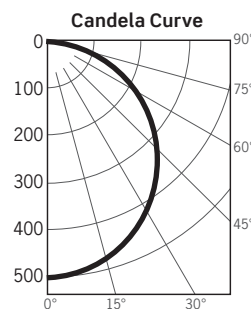
Intensity Distribution		
DISTANCE (FT.)	FOOTCANDLES (FC)	BEAM DIAMETER (FT.)
6 FT	11.4	17.3
8 FT	6.4	23.1
10 FT	4.1	28.9
12 FT	2.8	34.6
14 FT	2.1	40.4
16 FT	1.6	46.2



WFBR8-SW5C12D-MW: 8-Inch Round Matte White Slim Baffle

Fixture Delivered Lumens: 1407.6
 Total Watts@120V: 17.6
 Lumens Per Watt: 80.0
 Center Beam Candle Power: 499
 Beam Distribution: 114°
 Spacing Criterion: 1.37
 Color Rendering Index (CRI)¹: 93.5
 Color Temperature (CCT)²: 2931K
 Designed for 50,000 Hour Lamp Life³
 LM-63 Test No. G23012009
 LM-79 Test No. S23012009

Intensity Distribution		
DISTANCE (FT.)	FOOTCANDLES (FC)	BEAM DIAMETER (FT.)
6 FT	13.9	18.5
8 FT	7.8	24.6
10 FT	5.0	30.8
12 FT	3.5	36.9
14 FT	2.5	43.1
16 FT	2.0	49.2



1. Accuracy of Rendering Colors 2. Color Appearance of Light Source 3. Dependent on Surrounding Temperatures 4. Colors Present within the Light Source

PHOTOMETRIC DATA

WFBR4			
NOM. CCT	LUMENS	POWER (W)	Lm/W
2700K	827	11.2	73.9
3000K	867	11.4	76.1
3500K	908	11.2	81.1
4000K	926	11.3	82.0
5000K	901	11.2	80.4

WFBR6			
NOM. CCT	LUMENS	POWER (W)	Lm/W
2700K	1076	14.2	75.8
3000K	1139	14.4	79.1
3500K	1201	14.2	84.6
4000K	1222	14.3	85.5
5000K	1179	14.3	82.5

WFBR8			
NOM. CCT	LUMENS	POWER (W)	Lm/W
2700K	1355	17.5	77.4
3000K	1408	17.6	80.0
3500K	1484	17.6	84.3
4000K	1514	17.6	86.0
5000K	1473	17.6	83.7

DATE

PROJECT

TYPE

WFBR SERIES | WayFlex Round Baffle Slim Downlights

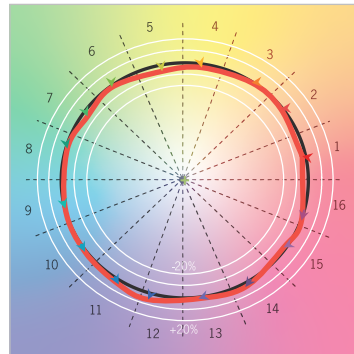
PHOTOMETRICS

TM-30 DATA: WFBR6-SW5C12D1-MW 6-Inch Round Matte White Slim Baffle

ANSI/IES TM-30-18 Color Rendition Report Test No. S23011805

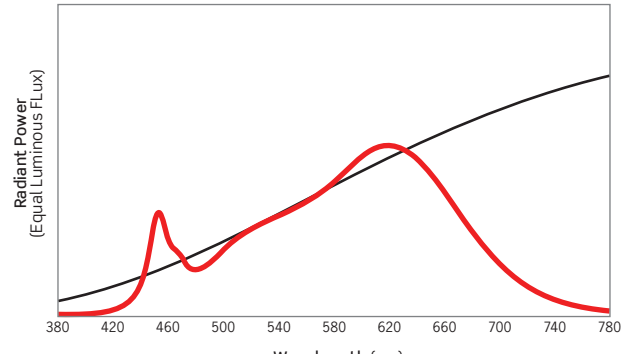
R_f	92
R_g	100
CCT(K)	3045K
D_{uv}	-0.0029
u^I	0.2501
v^I	0.5164

Color Vector Graphic

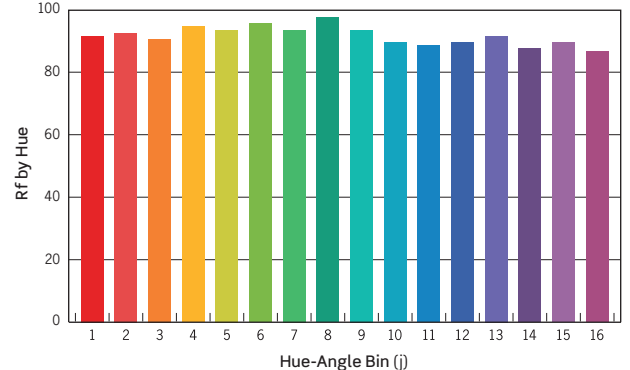
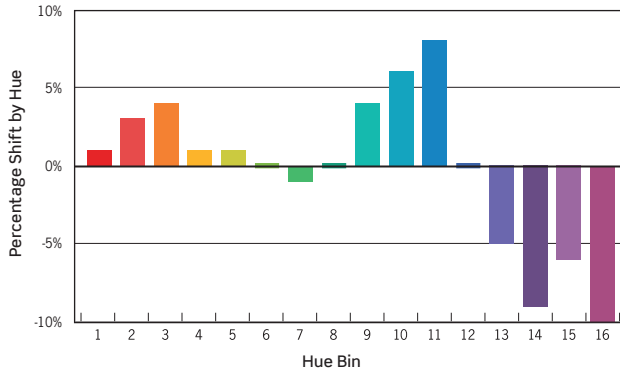


— Reference Illuminance
— Test Source

Spectral Power Distribution Comparison



— Reference Illuminance
— Test Source



HUE BIN	1	2	3	4	5	6	7	8	9	10	11	12	13	14	15	16
HUE SHIFT	1%	3%	4%	1%	1%	0%	-1%	0%	4%	6%	8%	0%	-5%	-9%	-6%	-10%
R_f VALUE	92	93	91	95	94	96	94	98	94	90	89	90	92	88	90	87

Colors are for visual orientation purposes only