


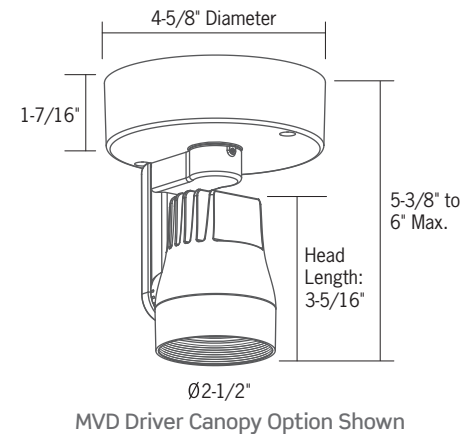
DATE

PROJECT

TYPE

CTL806*C | O2 Mini LED Canopy Mount Luminaires

	CTL8061C	CTL8062C	CTL8063C
WATTAGE	10W	14W	20W
LUMEN OUTPUT ¹	1255Lm	1723Lm	2328Lm
COLOR TEMPERATURE	2700K, 3000K, 3500K, 4000K, 3000K Crisp White		
CRI	83 (80min) / 90+		
BEAM	10° Spot, 28° Medium, 48° Flood		
SYSTEM RATING	50,000 Hours @ 70% Lumen Maintenance		
PRODUCT WEIGHT	1.5 Lbs.		
DRIVER INPUT WATTAGE	10W	14W	20W
DRIVER INPUT CURRENT (A) 120/277	.09/.04	.13/.06	.20/.09
DRIVER INPUT VOLTAGE			
Dimming (Triac, ELV, 0-10V)	90-305V AC, 50/60Hz		
Lutron HiLume® Dimming	120V AC, 50/60Hz		
Lutron EcoSystem® Dimming	120-277V AC, 50/60Hz		
DRIVER			
Power Factor	> 0.90		
THD	< 20%		
DIMMING			
Triac, ELV, 0-10V	10-100%		
Lutron®	1-100%		
 LISTING	cCSAus Certified to UL Standards Suitable for damp locations 10W High CRI series can be used to comply with the 2016 Title 24 Part 6 JA8 high efficacy LED light source requirements		
WARRANTY	Five (5) year replacement after date of purchase		



1. Lumen values are approximate, see photometric test results

DATE

PROJECT

TYPE

CTL806*C | O2 Mini LED Canopy Mount Luminaires

ORDERING INFORMATION

Example Order: CTL8063CS3MVD - P FA-43-P LF16UV 60MM

Luminaire	Housing	Beam	Color Temp/CRI	Driver Option	Finish
CTL8061 - 10W 1255Lm	C - Mono-Point Canopy	S - 10° Spot	83 (80min) CRI	MVD - 120-277V Triac ¹ , ELV, 0-10V Dimming 12D3 ² - 120V Lutron Hi-lume 1% 2-Wire LED Driver (120V Forward Phase Only) MVD4 ² - 120V-277V Lutron Hi-lume 1% EcoSystem LED Driver with Soft-On, Fade-to-Black Dimming	B - Black P - White S - Silver
CTL8062 - 14W 1723Lm		M - 28° Medium	27 - 2700K 3 - 3000K 35 - 3500K		
CTL8063 - 20W 2328Lm		F - 48° Flood	4 - 4000K 90+ CRI 27C - 2700K 3C - 3000K 35C - 3500K 4C - 4000K 3W - 3000K, Crisp White		

1. Triac Dimmable at 120V Only.
2. Requires larger canopy (5-3/4" Dia. x 1-1/2" Tall).

Accessories

- 5500011** - 2" Diffusion Disc
- BD16A** - Barn Doors
- FA-16 60MM** - 2-3/8" Dia. Black Honeycomb Louver
- FA-43-(B,P,S)** - 1" Snoot/Accessory Holder
- LF16 - ** 60MM** - 2-3/8" Dia. Tempered Glass Lenses;
Requires FA-43 Snoot/Accessory Holder

**Color/Pattern Legend

-73 (Spread Lens), -LS (Linear Spread Lens), -SL (Soft Light), -SOL (Solite), -UV (Optivex UV Filter),
-A (Amber), -B (Blue), -CL (Clear), -DPE (Dichroic Peach), -G (Green), -LB (Light Blue), -R (Red), -RO (Rose), -Y (Yellow)

Replacement Optics

- CTL806-OPTIC-S** - 2" TIR Optic, Spot Beam
- CTL806-OPTIC-M** - 2" TIR Optic, Medium Beam
- CTL806-OPTIC-F** - 2" TIR Optic, Flood Beam

PRODUCT DETAILS

Construction

- Constructed of die-cast aluminum, heat-sink and driver housing
- May be ceiling or wall mounted
- Lockable, precision aiming adjustment: 60°+ aiming horizontal rotation, 250° vertical rotation, 35° upward tilt (both directions)
- Can accept up to (2) LF16 60MM lens or FA-16 60MM Black Honeycomb Louvers when used with the FA-43 Snoot/Accessory Holder, ordered separately

Performance Summary

- High performance, small scale LED track luminaire
- Available in 10° Spot, 28° Medium and 48° Flood beam distributions; optics have been optically engineered to provide a smooth uniform beam, maximizing output and minimizing glare
- Optics can be easily changed in the field for optimal flexibility
- Select from 2700K, 3000K, 3500K and 4000K color temperatures; CRI 80 min., 83 typical; high CRI 90+ available
- The 3000K Crisp White LED delivers 90+ color rendering with additional violet wavelengths that enhance white visibility
- Excellent fixture-to-fixture color consistency within a 2-step MacAdam Ellipse tolerance
- Dimming is available and allows smooth illumination down to 1% utilizing Lutron HiLume or Lutron EcoSystem driver option; Lutron driver options require a larger canopy: 5-3/4" Dia. x 1-1/2" tall
- For dimmer compatibility, refer to Dimming Specifications sheet

DATE

PROJECT

TYPE

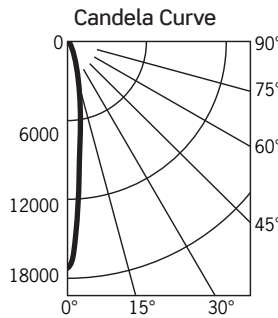
CTL806*C | O2 Mini LED Canopy Mount Luminaires

PHOTOMETRICS

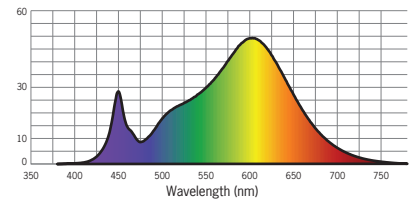
CTL8063HS3D

Fixture Delivered Lumens: 2237.12
 Total Watts@120V: 19.905
 Lumens Per Watt: 112.418
 Center Beam Candle Power: 17279
 Beam Distribution: 10.24°
 Spacing Criterion: 0.2893
 Color Rendering Index (CRI)¹: 82.9
 Color Temperature (CCT)²: 3071K
 Designed for 50,000 Hour Lamp Life³
 LM-63 Test No. G24012603
 LM-79 Test No. S24012901

Intensity Distribution		
DISTANCE (FT.)	FOOTCANDLES (FC)	BEAM DIAMETER (FT.)
4'	1079.9	0.72
6'	480.0	1.08
8'	270.0	1.43
10'	172.8	1.79
12'	120.0	2.15
14'	88.2	2.51



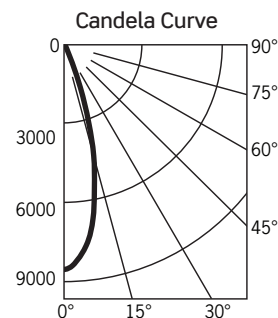
Spectral Power Distribution Chart⁴



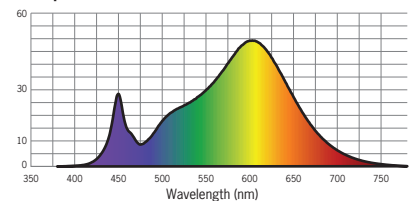
CTL8063HM3D

Fixture Delivered Lumens: 2327.82
 Total Watts@120V: 19.914
 Lumens Per Watt: 116.976
 Center Beam Candle Power: 8558
 Beam Distribution: 28.34°
 Spacing Criterion: 0.4765
 Color Rendering Index (CRI)¹: 82.9
 Color Temperature (CCT)²: 3071K
 Designed for 50,000 Hour Lamp Life³
 LM-63 Test No. G24012604
 LM-79 Test No. S24012901

Intensity Distribution		
DISTANCE (FT.)	FOOTCANDLES (FC)	BEAM DIAMETER (FT.)
4'	534.9	2.02
6'	237.7	3.03
8'	133.7	4.04
10'	85.6	5.05
12'	59.4	6.06
14'	43.7	7.07



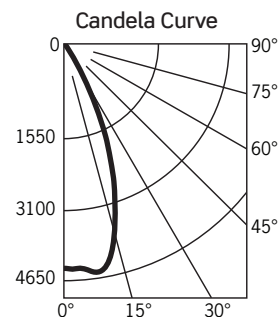
Spectral Power Distribution Chart⁴



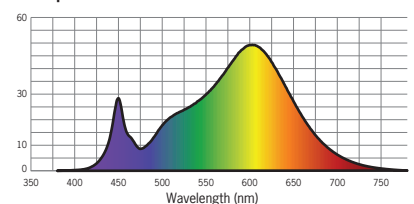
CTL8063HF3D

Fixture Delivered Lumens: 2293.43
 Total Watts@120V: 19.9
 Lumens Per Watt: 115.248
 Center Beam Candle Power: 3802
 Beam Distribution: 47.56°
 Spacing Criterion: 0.7051
 Color Rendering Index (CRI)¹: 82.9
 Color Temperature (CCT)²: 3071K
 Designed for 50,000 Hour Lamp Life³
 LM-63 Test No. G24012605
 LM-79 Test No. S24012901

Intensity Distribution		
DISTANCE (FT.)	FOOTCANDLES (FC)	BEAM DIAMETER (FT.)
4'	237.6	3.53
6'	105.6	5.29
8'	59.4	7.05
10'	38.0	8.81
12'	26.4	10.58
14'	19.4	12.34



Spectral Power Distribution Chart⁴



1. Accuracy of rendering colors 2. Color appearance of light source 3. Dependent on surrounding temperatures 4. Colors present within the light source

PHOTOMETRIC MULTIPLICATION FACTORS

Lumen output values fluctuate based on Color Temperature and Luminaire Wattage/Output. To estimate lumen output of these various options, multiply 3000K results by the following:

CCT MULTIPLIERS				OUTPUT MULTIPLIERS	
CCT	STD CRI	HIGH CRI	CRISP WHITE	10W/SERIES 1	14W/SERIES 2
2700K	.949	.842	N/A	0.539	0.74
3000K	N/A	.872	.488		
3500K	1.02	.895	N/A		
4000K	1.04	.916	N/A		

DATE

PROJECT

TYPE

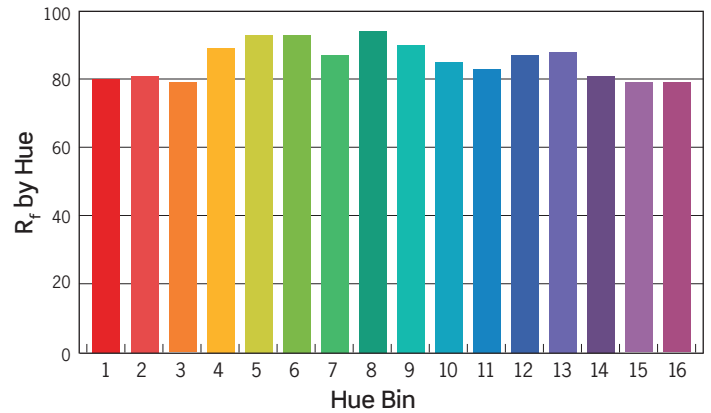
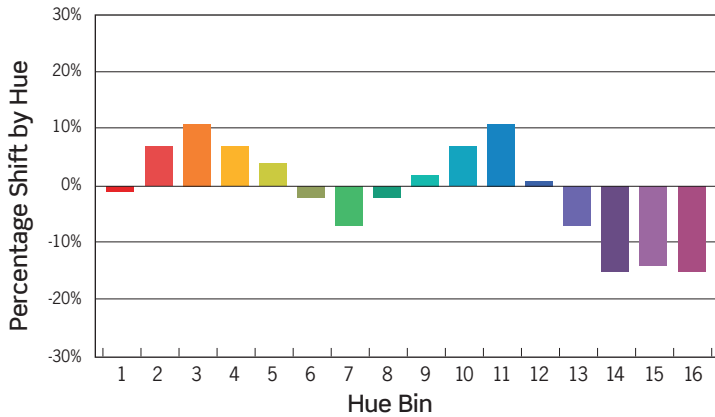
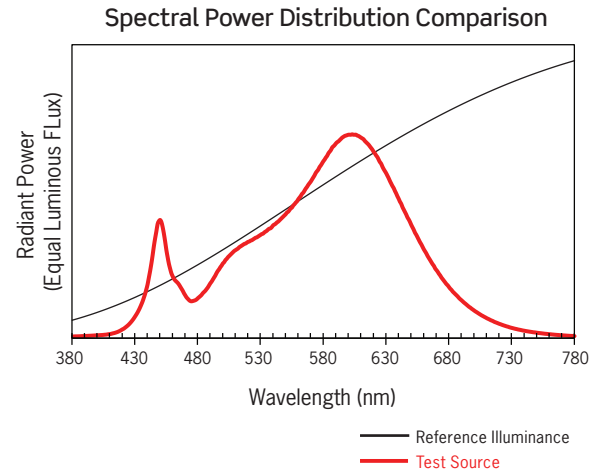
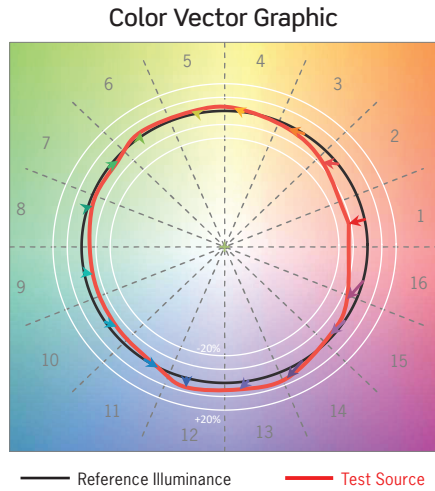
CTL806*C | O2 Mini LED Canopy Mount Luminaires

PHOTOMETRICS

TM-30 Data: CTL8063HM3D

ANSI/IES TM-30-18 Color Rendition Report Test No. S24012901

R_f	86
R_g	96
CCT(K)	3071 K
D_{uv}	-0.0001
u^I	0.2481
v^I	0.5199



HUE BIN	1	2	3	4	5	6	7	8	9	10	11	12	13	14	15	16
HUE SHIFT	1%	7%	11%	7%	4%	-2%	-7%	-2%	2%	7%	11%	1%	-7%	-15%	-14%	-15%
R _f VALUE	80	81	79	89	93	93	87	94	90	85	83	87	88	81	79	79

Colors are for visual orientation purposes only

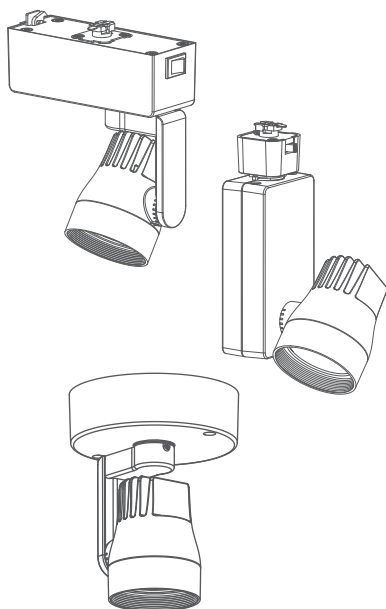
DATE

PROJECT

TYPE

DIMMING SPECIFICATIONS | CTL806 Series LED Luminaires

- Incandescent 120VAC dimmers adjust the light with “forward phase control,” where the dimmer “chops” the forward part of the AC wave to deliver less or more power to the light source. No neutral wire connection required.
- Electronic low voltage 120VAC dimmers adjust the light with “reverse phase control,” where the dimmer “chops” the back part of the AC wave to deliver less or more power to the light source. Neutral wire connection required.



		CTL806 Series: “D” Driver Option		
		Light Output		
Manufacturer	Model	10W	14W	20W
Leviton	6631-2	1% - 100%	1% - 100%	1% - 100%
Leviton	6633-P	1% - 100%	0% - 100%	2% - 100%
Leviton	IPI06-1LZ	1% - 100%	N/A	2% - 100%
Leviton	6683-IW	4% - 100%	4% - 100%	6% - 100%
Leviton	IPE04	6% - 100%	6% - 100%	8% - 100%
Leviton	VPE06	9% - 100%	10% - 100%	11% - 100%
Cooper	SLC03P	1% - 100%	0% - 100%	0% - 100%
Cooper	DAL06P	1% - 100%	1% - 100%	0% - 100%
Cooper	DLC03P	1% - 100%	1% - 100%	2% - 100%
Lightolier	ZP260QEW	7% - 100%	8% - 100%	N/A
Lutron	DVCL-153P	0% - 100%	3% - 100%	1% - 100%
Lutron	S600P	1% - 100%	1% - 100%	4% - 100%
Lutron	TGCL-153P	5% - 100%	4% - 100%	6% - 100%
Lutron	S-603PG	4% - 96%	4% - 91%	7% - 96%
Lutron	DV600P	5% - 100%	0% - 100%	8% - 100%
Lutron	LG600P	5% - 100%	5% - 100%	8% - 100%
Lutron	DVELV303P	6% - 100%	7% - 100%	8% - 100%
Lutron	SELV300P	7% - 100%	7% - 100%	8% - 100%
Lutron	CT103P	9% - 100%	9% - 100%	12% - 100%
Lutron	MAELV600	12% - 100%	11% - 100%	14% - 100%
Lutron	FAELV500	12% - 100%	12% - 100%	14% - 100%
Lutron	TG-600P	13% - 100%	11% - 100%	15% - 100%

Notes

1. Testing was performed with a single fixture connected to dimmer.
2. Testing has been performed on these dimmers, but this does not imply any warranty of compatibility.
3. Dimming performance can be influenced by different loads, as well as variations in dimmer switches within the same model.
4. Dimmer maximum load rating with LED may differ from published traditional source dimmer ratings. Consult manufacturer for maximum dimmer information.
5. Consult factory for additional dimming information.