

CTL816GU10

MR16 GU10 Mini Gimbal Ring Line Voltage Track Fixture

Specifications/Features

Fixture

Compact, gimbal ring lampholder designed for use with Halogen or LED PAR16 or MR16 lamps with GU10 twist and lock lamp base. Ideal for accent lighting in retail, commercial or residential applications. Integral ON/OFF switch and spring loaded latch with embossed track polarity indicator are standard.

Lamp

(1) PAR16/MR16 Halogen or LED Lamp (50W max.) 120V, GU10 Twist and Lock Base Socket

Warranty

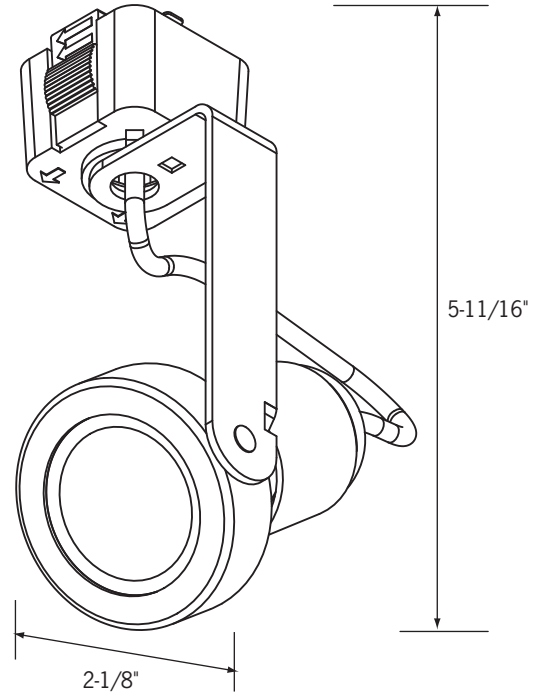
This fixture is covered by ConTech's full one (1) year replacement guarantee after date of purchase.

Listing

cCSAus Certified to UL standards. Suitable for dry locations.

Fixture Compatibility

Standard ConTech track fixtures are cCSAus certified as-is for use with ConTech's many track systems, as well as with Juno^{®1} Lighting track. By changing the prefix in the part number, ConTech can install inserts which make our fixtures compatible with other manufacturers. Replace "CTL" with "HTL" for Halo^{®2} track, and "LTL" for Lightolier^{®3} track. For more information, please consult our factory.



Ordering Information

Example Order: -

Track System

CTL - ConTech
HTL - Halo
LTL - Lightolier

Fixture

816GU10

Finish

B - Black
P - White
S - Silver

Accessories

LF16 - **A, B, CL, G, LB, R, RO, Y, 73, LS, SL, UV**
2" Tempered glass lenses

FA-16 50MM - Honeycomb Louver

LA-816 - Black Snoot

THS-16 - Thermal Heat Shield

Color/Pattern Legend

-A (Amber), **-B** (Blue), **-CL** (Clear), **-LB** (Light Blue),
-R (Red), **-RO** (Rose), **-Y** (Yellow), **-73** (Spread Lens),
-LS (Linear Spread Lens), **-SL** (Soft Light),
-UV (Optivex UV Filter)

1. Juno is a registered trademark of Juno Lighting
2. Halo is a registered trademark of Cooper Lighting
3. Lightolier is a registered trademark of Philips Lighting