

DATE

PROJECT

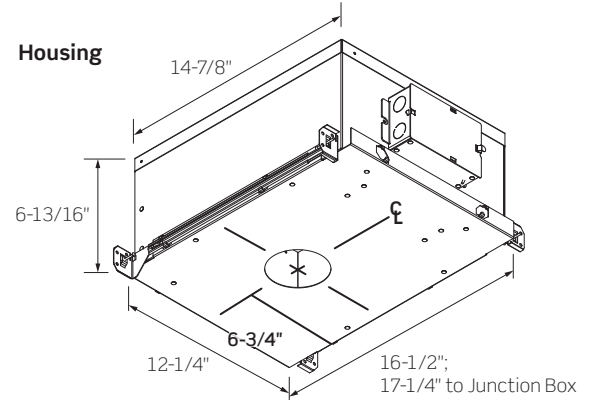
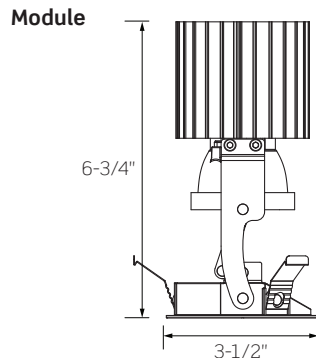
TYPE

# R2ANC | 2-Inch Static White Adjustable Downlight: New Construction Insulated Ceiling (IC)/StopAir™

**SW**  
STATIC WHITE



**Ceiling Opening:** 3-1/4"  
**Ceiling Thickness:** 1/2" - 1-1/2"



**SPEEDSHIP**  
Select SKUs Shipped within 48-Hours

	R2ANC05	R2ANC1	R2ANC2	R2ANC3
WATTAGE	8W	10W	14W	21W
LUMEN OUTPUT <sup>1</sup>	800Lm	1000Lm	1300Lm	1700Lm
COLOR TEMPERATURE	2700K / 3000K / 3500K / 4000K / 3000K Crisp White			
CRI	83 (80min) / 90+			
BEAM SPREAD	14° Spot / 26° Medium / 33° Flood			
INPUT WATTAGE	8W	10W	14W	21W
INPUT CURRENT (A) 120V / 277V	.07 / .03	.08 / .04	.12 / .05	.18 / .08
INPUT VOLTAGE	90-305V AC, 50/60Hz			
Standard Driver	90-305V AC, 50/60Hz			
Lutron Eco-System® Driver	120-277V AC, 50/60Hz			
eldoLED ECOdrive / SOLOdrive	120-277V AC, 50/60Hz			
DRIVER POWER FACTOR	> 0.90			
TOTAL HARMONIC DISTORTION (THD)	< 20%			
LISTINGS	<p>cCSAus Certified using U.S. (UL) and Canadian (CSA) Standards; Suitable for Damp Locations</p> <p>ENERGY STAR® Certified:</p> <ul style="list-style-type: none"> <li>- 10W (R2ANC1) and 14W (R2ANC2) Series with Medium or Flood Beam Distributions using C2302, C2304, C2302SQ, and C2304SQ Trims</li> <li>- Crisp White LED Option, Lutron and eldoLED Dimming Options are not ENERGY STAR® Certified</li> </ul> <p>Can be used to comply with 2016 Title 24 Part 6 JA8 High Efficacy LED Light Source Requirements:</p> <ul style="list-style-type: none"> <li>- 10W (R2ANC1) and 14W (R2ANC2) Series in any Standard or High CRI I Color Temperature (except Crisp White) using the MVD Driver, Flood Beam and C2304-CLR Trim</li> </ul> <p>Conforms to Washington State Energy Code for Low Air Infiltration; tested in accordance with ASTM E283 Chicago Plenum Housings (-CP Option) are City of Chicago Environmental Air (CCEA) Rated</p>			
WARRANTY	<p>Five (5) year replacement after date of purchase</p> <p>Emergency Battery Backup option covered by a one (1) year replacement guarantee after date of purchase</p>			
SYSTEM RATING	50,000 Hours @ 70% Lumen Maintenance			

1. Approximate lumen output based on 3000K performance; see photometric test results for additional information

DATE	PROJECT	TYPE
------	---------	------

# R2ANC | 2-Inch Static White Adjustable Downlight: New Construction Insulated Ceiling (IC)/StopAire™

## ORDERING INFORMATION

### HOUSING + MODULE + TRIM = COMPLETE SYSTEM

Example Order: Housing:  Module:  Trim:

## Housing

Housing	LED Series	Electrical/Dimming	Options
<b>R2ANC</b> - New Construction Insulated Ceiling (IC) StopAire™ Housing	<b>05</b> - 8W/800lm <b>1</b> - 10W/1000lm <b>2</b> - 14W/1300lm <b>3</b> - 21W/1700lm	<b>MVD1</b> <sup>1</sup> - 120-277V TRIAC, ELV and 0-10V Dimming <b>MVD4</b> <sup>2</sup> - Lutron Hi-lume 1% EcoSystem LED Driver with Soft-on, Fade-to-Black <b>MVD6</b> <sup>2,3</sup> - 120-277V eldoLED ECOdrive 0-10V, Dim to 1% <b>MVD7</b> <sup>2,3</sup> - 120-277V eldoLED ECOdrive DALI, Dim to 1% <b>MVD8</b> <sup>2,3</sup> - 120-277V eldoLED SOLOdrive 0-10V, Dim to 0.1% <b>MVD9</b> <sup>2,3</sup> - 120-277V eldoLED SOLOdrive DALI, Dim to 0.1%	<b>CP</b> <sup>4</sup> - Chicago Plenum <b>ER</b> <sup>5</sup> - Factory Installed 7W/200mA Emergency Battery Backup (Remote Test Switch)

### Housing Accessories

Standard Hanger Bars Supplied with Housing

- HB-24** - 27 Inch Flat Hanger Bars for RL-KIT
- HBC-24** - 25 Inch C-Channel Hanger Bars for RL-KIT in Grid Ceiling Construction
- HB-30** - T-Bar Hanger Set
- RL-KIT** - Commercial Mounting Brackets

1. TRIAC and ELV Dimming for 120V only
2. Lutron and eldoLED Dimming options require above ceiling driver access
3. eldoLED Drivers are programmed for Linear Curve Dimming as standard; for Logarithmic Curve Dimming, please consult factory
4. Chicago Plenum Option cannot be used in an IC (Insulated Ceiling) application or with Emergency Battery Backup Option
5. Emergency Backup Option cannot be used in an IC (Insulated Ceiling) application, requires above ceiling battery access; 550 Lumen Nominal Average for any Series 05, 1, 2 or 3

## LED Module

LED Module	Color Temp/CRI	Beam Distribution	Module Accessories
<b>UMOD</b> - 2 Inch Universal LED Module	83 (80min) CRI 90+ CRI <b>27K</b> - 2700K <b>27KC</b> - 2700K <b>30K</b> - 3000K <b>30KC</b> - 3000K <b>35K</b> - 3500K <b>35KC</b> - 3500K <b>40K</b> - 4000K <b>40KC</b> - 4000K 90+ Crisp White <b>30KW</b> - 3000K	<b>S</b> - 14° Spot <b>M</b> - 26° Medium <b>F</b> - 33° Flood	<b>FA-47</b> - Black Accessory Holder; Accepts Two (2) Media  <b>Accessories require the FA-47 Holder</b> <b>R2ASNR1-B</b> - Black Dual Ring Snoot: 60MM OD X 1 Inch Long <b>FA-16 60MM</b> - Black Honeycomb Louver <b>LF16-** 60MM</b> - 2-3/8 In. Dia. Lenses

### Replacement Optics

- 2INOPTIC-S** - 14° Spot
- 2INOPTIC-M** - 26° Medium
- 2INOPTIC-F** - 33° Flood

### \*\*Color/Pattern Legend

- 73** (Spread Lens), **-LS** (Linear Spread Lens), **-SL** (Soft Light), **-SOL** (Solite), **-UV** (Optivex UV Filter), **-A** (Amber), **-B** (Blue), **-CL** (Clear), **-DPE** (Dichroic Peach), **-G** (Green), **-LB** (Light Blue), **-R** (Red), **-RO** (Rose), **-Y** (Yellow)

 : These Model Options are eligible for SpeedShip

DATE	PROJECT	TYPE
------	---------	------

## R2A SERIES | Trims for 2-Inch Round Adjustable Downlights: R2ANC and R2ARM Series

### ROUND TRIM PLATE OPTIONS

**NOTE:** R2A and R2RM Series Trims are NOT compatible with each other



C2302-PL



**C2302 Series**  
Specification Grade  
Full Cone Reflector  
2-5/8 Inch ID, 3-5/8 Inch OD

Wet Location Certified when used with LF16 60MM Lens. Accepts one (1) FA-16 60MM Black Honeycomb Louver or one (1) LF16 60MM Tempered Glass Lens.

**C2302** - Specification Grade Full Cone Reflector

- BLK** - Matte Black
- CLR<sup>1</sup>** - Clear
- PL<sup>1</sup>** - Platinum
- WHT** - Matte White

1. Available with White Painted Flange: add -WPF to end of part number



C2304-BLK



**C2304 Series**  
Angle Cut Reflector  
2-5/8 Inch ID, 3-5/8 Inch OD

**C2304** - Angle Cut Reflector

- BLK** - Matte Black
- CLR<sup>1</sup>** - Clear
- PL<sup>1</sup>** - Platinum
- WHT** - Matte White

1. Available with White Painted Flange: add -WPF to end of part number



C2305-WHT

**C2305 Series**  
Pinhole Trim  
1-1/2 Inch ID, 3-5/8 Inch OD

**C2305** - Pinhole Trim

- BLK** - Black
- WHT** - White



C2304WL-PL



**C2304WL Series**  
Wet Location  
Angle Cut Reflector  
2-5/8 Inch ID, 3-5/8 Inch OD

Specification Grade Angle Cut Reflector; Clear Glass Lens provides Wet Location Certification

**C2304WL** - Wet Location Angle Cut Reflector

- BLK** - Matte Black
- CLR<sup>1</sup>** - Clear
- PL<sup>1</sup>** - Platinum
- WHT** - Matte White

1. Available with White Painted Flange: add -WPF to end of part number

### ACCESSORY ORDERING INFORMATION

#### Accessories

- FA-16 60MM** - 2-3/8 In. Diameter Honeycomb Louver
- LF16-X<sup>2</sup> 60MM** - 2-3/8 In. Diameter Lenses

#### 2. Lens Color/Pattern Legend

- 73** (Spread Lens), **-LS** (Linear Spread Lens), **-SL** (Soft Light), **-SOL** (Solite), **-UV** (Optivex UV Filter),
- A** (Amber), **-B** (Blue), **-CL** (Clear), **-DPE** (Dichroic Peach), **-G** (Green), **-LB** (Light Blue), **-R** (Red),
- RO** (Rose), **-Y** (Yellow)

: These Model Options are eligible for **SpeedShip**

DATE

PROJECT

TYPE

# R2A SERIES | Trims for 2-Inch Round Adjustable Downlights: R2ANC and R2ARM Series

**SQUARE TRIM PLATE OPTIONS** **NOTE:** R2A and R2RM Series Trims are NOT compatible with each other



C2302SQ-CLR-WHT



**C2302SQ Series**  
Spec Grade Full Cone Reflector with Square Trim Plate  
2-5/8 In. Sq Aperture  
3-5/8 In. Sq Trim Frame

Wet Location Certified when used with LF16 60MM Lens. Accepts one (1) FA-16 60MM Black Honeycomb Louver or one (1) LF16 60MM Tempered Glass Lens.

**Reflector**  
C2302SQ-BLK - Matte Black  
C2302SQ-CLR - Clear  
C2302SQ-PL - Platinum  
C2302SQ-WHT - Matte White

**Trim Plate**  
B - Matte Black  
P - Matte White



C2304SQ-PL-BLK

**C2304SQ Series**  
Angle Cut Reflector with Square Trim Plate  
2-5/8 In. Sq Aperture  
3-5/8 In. Sq Trim Frame

Specification Grade Angle Cut Reflector

**Reflector**  
C2304SQ-BLK - Matte Black  
C2304SQ-CLR - Clear  
C2304SQ-PL - Platinum  
C2304SQ-WHT - Matte White

**Trim Plate**  
B - Matte Black  
P - Matte White



C2305SQ-BLK

**C2305SQ Series**  
Square Pinhole Trim  
1-1/2 In. Sq Aperture  
3-5/8 In. Sq Trim Frame

**Reflector**  
C2305SQ - Pinhole Trim

**Trim Plate**  
B - Matte Black  
P - Matte White



C2304SQWL-BLK-B



**C2304SQWL Series**  
Wet Location Angle Cut Reflector with Square Trim Plate  
2-5/8 In. Sq Aperture  
3-5/8 In. Sq Trim Frame

Specification Grade Angle Cut Reflector; Clear Glass Lens provides Wet Location Certification

**Reflector**  
C2304SQWL-BLK - Matte Black  
C2304SQWL-CLR - Clear  
C2304SQWL-PL - Platinum  
C2304SQWL-WHT<sup>3</sup> - Matte White

**Trim Plate**  
B - Matte Black  
P - Matte White

3. Not available with Black Trim Plate

## ACCESSORY ORDERING INFORMATION

### Accessories

**FA-16 60MM** - 2-3/8 In. Diameter Honeycomb Louver  
**LF16-X<sup>4</sup> 60MM** - 2-3/8 In. Diameter Lenses

### 4. Lens Color/Pattern Legend

-73 (Spread Lens), -LS (Linear Spread Lens), -SL (Soft Light), -SOL (Solite), -UV (Optivex UV Filter),  
-A (Amber), -B (Blue), -CL (Clear), -DPE (Dichroic Peach), -G (Green), -LB (Light Blue), -R (Red),  
-RO (Rose), -Y (Yellow)

: These Model Options are eligible for **SpeedShip**

DATE

PROJECT

TYPE

# R2ANC | 2-Inch Static White Adjustable Downlight: New Construction Insulated Ceiling (IC)/StopAire™

## PRODUCT DETAILS

### Construction

- Housing rated for Insulated Ceiling (IC) and StopAire™ applications; for use in direct contact with insulation materials
- 16-Gauge Galvanized Steel Housing painted Matte Black inside and out
- For MVD Dimming Option, 120-277V TRIAC, ELV and 0-10V; Drivers are fully accessible from above or below the ceiling
- For MVD4, MVD6, MVD7, MVD8 and MVD9 Dimming Options, Drivers are only accessible from above the ceiling
- Output over voltage, over current and short circuit protection
- Approved for through-circuit wiring: Max. (8) 12 AWG (4in/4out)
- Pre-wired Junction Box with Knockouts: seven (7) 1/2 inch Concentric Knockouts
- Removable cover for Driver access
- Spring Latch Tether provides secondary support of the Universal Module
- Quick-connect design enables easy installation and removal of Universal Module; three (3) Spring Steel Supports secure Module into Housing/ceiling
- Matte Black painted Adjustment Mechanism is constructed of 16-gauge Sheet Metal, Aluminum Die-cast Heat Sink, Acrylic TIR Optic and Thermoplastic Optic Holder. White Graduation Marks painted every 15° for consistent aiming, as well as a Set Screw to lock tilt adjustment in place.
- Universal LED Module adjusts to 45° when installed in a 1/2 to 1 inch thick ceiling, to 30° in 1-1/2 inch ceiling. Using the optional FA-47 Accessory Holder Clip with two (2) Lenses/Louvers, Module adjusts to 45° in 3/4 inch thick ceiling, with Snoot to 45° in 5/8 inch thick ceiling.
- Dual Extension Nailer Bars are adjustable for 16 and 24 inch center joists (14-1/4 – 24-1/2 inches). Nailer Bars enable easy installation and may be extended to rest on T-bar ceilings. Optional clip-on T-bar Hangers available.
- Many Trim options available to complement any design style. See ordering information for details. **NOTE:** R2A Series and R2RM Series Trims are not compatible with each other.

### Performance Summary

- Available in four (4) wattage/lumen packages: 8W/800Lm, 10W/1000Lm, 14W/1300Lm, and 21W/1700Lm
- High output multi-chip LED array arranged into a single LED package, enabling precise optical control
- 2700K, 3000K, 3500K and 4000K Color Temperatures; CRI of 80 min., 83 typical; High CRI of 90+ available
- A 3000K Crisp White LED option is available, delivering 90+ CRI with additional violet wavelengths that enhance white visibility
- Excellent fixture to fixture color consistency within a 2-step MacAdam Ellipse tolerance
- Precision Optics produce Spot, Medium and Flood Beam Distributions; Optics are interchangeable and can be field replaced
- Driver with Class 2 output, RoHS Compliant
- All R2A Adjustable Downlights are available for non-dimming and dimming applications; for a list of compatible dimmers, refer to the Dimming Specifications sheet



The following Models are eligible for SpeedShip:

Housing: R2ANC3MVD  
 Module: UMOD27KCM  
 Trims: C2302-WHT  
 C2304-PL  
 C2304-WHT

DATE

PROJECT

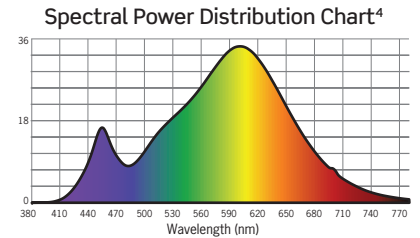
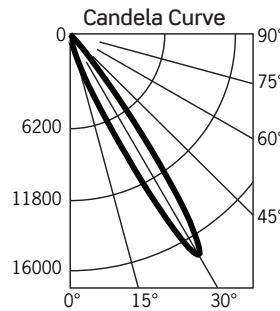
TYPE

# R2A SERIES | 2-Inch Round Static White Adjustable Downlight

## PHOTOMETRICS

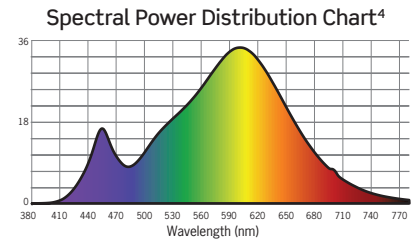
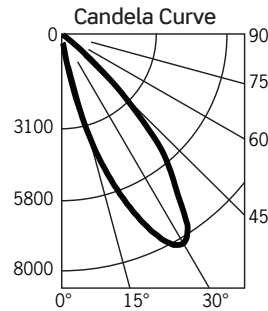
### R2ANC3MVD/UMOD30KS/C2304-CLR

Fixture Aimed at 30° from Nadir  
 Fixture Delivered Lumens: 1198  
 Total Watts@120V: 20.6  
 Lumens Per Watt: 58.1  
 Center Beam Candle Power: 448  
 Beam Distribution: 14°  
 Spacing Criterion: 0.36  
 Color Rendering Index (CRI)<sup>1</sup>: 81  
 Color Temperature (CCT)<sup>2</sup>: 3061K  
 Designed for 50,000 Hour Lamp Life<sup>3</sup>  
 LM-63 Test No. G17061305  
 LM-79 Test No. 84022



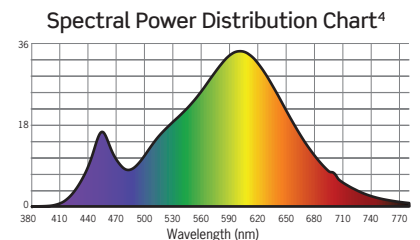
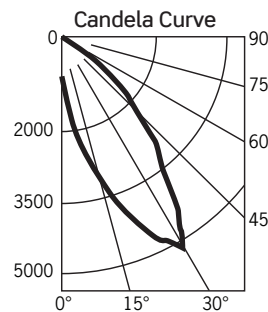
### R2ANC3MVD/UMOD30KM/C2304-CLR

Fixture Aimed at 30° from Nadir  
 Fixture Delivered Lumens: 1740  
 Total Watts@120V: 20.6  
 Lumens Per Watt: 84.5  
 Center Beam Candle Power: 331  
 Beam Distribution: 26°  
 Spacing Criterion: 0.60  
 Color Rendering Index (CRI)<sup>1</sup>: 81  
 Color Temperature (CCT)<sup>2</sup>: 3042K  
 Designed for 50,000 Hour Lamp Life<sup>3</sup>  
 LM-63 Test No. G17061406  
 LM-79 Test No. 84023



### R2ANC3MVD/UMOD30KF/C2304-CLR

Fixture Aimed at 30° from Nadir  
 Fixture Delivered Lumens: 1760  
 Total Watts@120V: 20.6  
 Lumens Per Watt: 85.4  
 Center Beam Candle Power: 454  
 Beam Distribution: 33°  
 Spacing Criterion: 0.13  
 Color Rendering Index (CRI)<sup>1</sup>: 81  
 Color Temperature (CCT)<sup>2</sup>: 3038K  
 Designed for 50,000 Hour Lamp Life<sup>3</sup>  
 LM-63 Test No. G17061312  
 LM-79 Test No. 84024



1. Accuracy of rendering colors 2. Color appearance of light source 3. Dependent on surrounding temperatures 4. Colors present within the light source

## PHOTOMETRIC MULTIPLICATION FACTORS

Lumen output values fluctuate based on Color Temperature, Luminaire Wattage/Output and Trim Selection. To estimate lumen output of these various options, multiply 3000K results by the following:

CCT/CRI				OUTPUT				TRIM	
CCT	STD CRI	HIGH CRI	CRISP WHT	8W SERIES 05	10W SERIES 1	14W SERIES 2	C2304 PL/WHT	C2304 BLK	
2700K	0.94	0.70	0.79	0.45	0.58	0.76	1.0	0.94	
3000K	N/A	0.75	0.79	0.45	0.58	0.76	1.0	0.94	
3500K									
4000K									

DATE

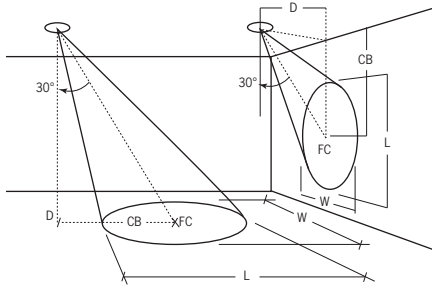
PROJECT

TYPE

# R2A SERIES | 2-Inch Round Static White Adjustable Downlight

## PHOTOMETRICS

### Application Data Notes Based Upon R2ANC3MVD/UMOD30K(S,M,F)/C2304-CLR:



- D:** Offset distance between the Luminaire to the Illuminated Plane, in feet
- CB:** Projected distance between the Luminaire and the Center Point where the Beam is aimed, in feet
- FC:** Horizontal or Vertical Illuminance at the Center Point where the Beam is aimed, in footcandles
- L:** Beam Length corresponding to the Perimeter where the Luminous Intensity is 50% of Center Beam Candlepower (CBCP), in feet
- W:** Beam Width corresponding to the Perimeter where the Luminous Intensity is 50% of Center Beam Candlepower (CBCP), in feet

Luminaires Aimed at 30° from Nadir

		ILLUMINANCE ON HORIZONTAL PLANE					ILLUMINANCE ON VERTICAL PLANE				
		D	CB	FC	L	W	D	CB	FC	L	W
SPOT	5	2.9	427	1.3	1.3	3	5.2	256	2	1.3	
	7.5	4.3	190	2	2	4	6.9	144	2.6	1.8	
	10	5.8	107	2.7	2.7	5	8.7	92	3.3	2.2	
	12.5	7.2	68	3.4	3.4	6	10.4	64	3.9	2.7	
MEDIUM	5	2.9	223	2.5	2.7	3	5.2	157	3.3	2.3	
	7.5	4.3	99	3.8	4	4	6.9	89	4.4	3.1	
	10	5.8	56	5	5.3	5	8.7	57	5.5	3.9	
	12.5	7.2	36	6.3	6.6	6	10.4	39	6.6	4.7	
FLOOD	5	2.9	139	3.2	3.3	3	5.2	97	3.8	2.8	
	7.5	4.3	62	4.8	4.9	4	6.9	55	5.1	3.8	
	10	5.8	35	6.4	6.5	5	8.7	35	6.4	4.7	
	12.5	7.2	22	8.1	8.1	6	10.4	24	7.6	5.7	

DATE

PROJECT

TYPE

## R2A & RN2A SERIES | 2-Inch Adjustable Downlights: Dimming Specifications

- Incandescent 120V AC Dimmers adjust the light with *Forward Phase Control*, where the Dimmer “chops” the forward part of the AC Wave to deliver less or more power to the light source. No neutral wire connection required.
- Electronic Low Voltage 120VAC Dimmers adjust the light with *Reverse Phase Control*, where the dimmer “chops” the back part of the AC Wave to deliver less or more power to the light source. Neutral wire connection required.
- 0-10V DC Low Voltage Dimmers operate using two (2) low voltage dimming wires that are separate from the 120V or 277V AC Power. The Dimmer sends a variable output voltage to the luminaire based upon the dimming level. 10V Corresponds to undimmed operation, 5V to 50% and so on.
- Switching On/Off is controlled with the Line Voltage Power Input (120V or 277V AC) to the Dimmer and then dimming operation is controlled with the 0-10V DC low voltage wiring connection between the Dimmer and the LED Driver. The control signal runs on two (2) low voltage control wires (color coded Purple and Pink/Gray).
- Lutron EcoSystem Drivers provide continuous dimming from 1% to 100%. For a complete list of compatible Dimmers and Controls, please visit [www.lutron.com](http://www.lutron.com)
- Use DALI approved Controls for dimming eldoLED MVD7 (1%-100%) and MVD9 (0.1%-100%) options.

### R2A, RN2A, R2AWD, RN2AWD, R2ASQ, RN2ASQ, R2ASQWD and RN2ASQWD Series\*

Manufacturer	Product	Model	Dim. Options: 12D, 27D, MVD Light Output	Dim. Option: MVD6 Light Output	Dim. Option: MVD8 Light Output
Leviton	IllumaTech	IPI06-1LZ	1%-100%	NA	NA
Leviton	SureSlide	6631-2	1%-100%	NA	NA
Leviton	Vizia	VPE06	9%-100%	NA	NA
Leviton	Trimatron	6683-IW	4%-100%	NA	NA
Leviton	Decora	6161	15%-100%	NA	NA
Leviton	SureSlide	6633-P	0%-100%	NA	NA
Leviton	IllumaTech	IPE04	6%-100%	NA	NA
Leviton	IllumaTech	IP710-DLX	NA	1%-100%	0.1%-100%
Cooper	Devine	DLC03P	1%-100%	NA	NA
Cooper	Skye	SLC03P	0%-100%	NA	NA
Cooper	Decorator	DAL06P	0%-100%	NA	NA
Pass & Seymour	Titan	CD4FB-W	NA	1%-100%	0.1%-100%
Synergy		ISD BC	NA	1%-100%	0.1%-100%
Watt Stopper	Miro Decorator	DCLV1	NA	1%-100%	0.1%-100%
Lutron	Ariadni	TGCL-153P	4%-100%	NA	NA
Lutron	Ariadni	TG-600P	11%-100%	NA	NA
Lutron	Diva	DVCL-153P	0%-100%	NA	NA
Lutron	Diva	DV600P	0%-100%	NA	NA
Lutron	Diva	DVELV303P	6%-100%	NA	NA
Lutron	Diva	DVTV	NA	1%-100%	0.1%-100%
Lutron	Faetra	FAELV500	12%-100%	NA	NA
Lutron	Lumea	LG600P	5%-100%	NA	NA
Lutron	Maestro	MAELV600	11%-100%	NA	NA
Lutron	Nova	NFTV	NA	1%-100%	0.1%-100%
Lutron	Nova T	NTFTV	NA	1%-100%	0.1%-100%
Lutron	Skylark	S-603PG	4%-96%	NA	NA
Lutron	Skylark	S600P	1%-100%	NA	NA
Lutron	Skylark	SELV300P	7%-100%	NA	NA
Lutron	Skylark	CT103P	9%-100%	NA	NA

\*277V TRIAC Dimming is not available

### NOTES

1. If light is measured, then the dimming range is based on light output. If light is not measured, then the dimming range is based on the percentage of output current.
2. Testing was performed with a single fixture connected to dimmer.
3. Testing has been performed on these dimmers, but this does not imply any warranty of compatibility.
4. Dimming performance can be influenced by different loads, as well as variations in dimmer switches within the same model.
5. Dimmer maximum load rating with LED may differ from published traditional source dimmer ratings. Consult manufacturer for maximum dimmer information.
6. Consult factory for additional dimming information.