

# INSTALLATION INSTRUCTIONS | 4- and 6-Inch IC Adjustable LED Downlights: R4AIC, R4ASQIC and R6AIC

**Note:** Before attempting installation please refer to your local electrical code.

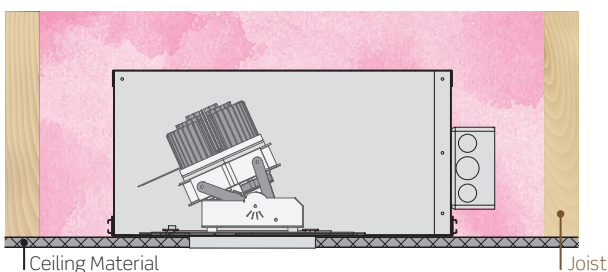
## IMPORTANT SAFETY INSTRUCTIONS:

- Read instructions before installation; save Instructions for later use
- Product should be installed by a Qualified Electrician
- All electrical connections must be in accordance with local and National Electrical Code (NEC). If you are unfamiliar with proper electrical wiring connections, obtain the services of a qualified electrician.
- Before starting the installation, disconnect the power by turning off the circuit breaker or by removing the appropriate fuse at the fuse box. Turning the power off at the light switch is not sufficient to prevent electrical shock.
- Product must be grounded to avoid potential electric shock and any other potential hazards.
- Product must be mounted in locations and at heights in a manner consistent with its intended use and in compliance with National Electrical Code and all local codes. Use of accessory equipment is not recommended.
- Do not mount near gas or electric heaters
- Equipment should be mounted in locations and at heights where it will not readily be subject to tampering by unauthorized personnel
- **WARNING: RISK OF SHOCK**
  - Turn off the power at fuse or circuit breaker box before installation or maintenance work.
  - Wear rubber soled shoes and work on a sturdy wooden or non-conductive ladder.
  - Ground the fixture to avoid potential electric shocks and to ensure reliable starting.
  - Double check all connections, making sure they are tight and correct
- **WARNING: RISK OF FIRE**
  - Most dwellings built before 1985 have supply wire rated at 60°C
  - Supply conductors (power wires) connecting the fixture must be rated at minimum of 90°C
  - Consult a qualified electrician before installation
- Installing contrary to instructions may cause unsafe conditions.
- If the product has any visible damage do not install it.
- Avoid hazards to children: account for all parts and properly dispose of all packing materials.
- Call the Technical Support department at ConTech Lighting with any installation questions: 847.559.5500.
- **WARRANTY:** ENERGY STAR® Products are covered for three (3) years by a full replacement guarantee after date of installation. In addition, ConTech LED products carry a five (5) year limited warranty from date of purchase.

## INSTALLATION

**FIGURE 1**

- Housing can be installed in direct contact with insulation

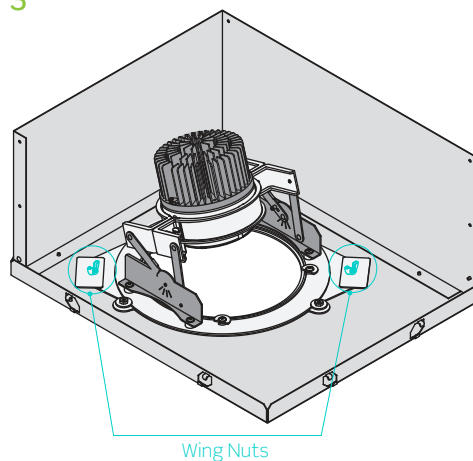


**FIGURE 2**



- Install Hanger Bars to fixture; ensure End Tabs are facing outward
- Extend Hanger Bars to fit between joists
- Position housing by hammering End Tab nails into Joists; Hangers should be level with bottom of the Joists
- Use T-Bar Slot in the bottom bars for suspended (T-Bar) ceilings, bending the tabs to hold T-Bar tightly

**FIGURE 3**



- If housing aperture is slightly out of desired position, minor adjustments can be made by loosening the two wing nuts located on the top of the housing frame. (Figure 3). Once aperture is in position, the wing nuts should be securely tightened so aperture cannot be moved out of position.
- Make all necessary electrical connections (See “Electrical Connection” section of this instruction sheet)

**CONTINUED**

# INSTALLATION INSTRUCTIONS | 4- and 6-Inch IC Adjustable LED Downlights: R4AIC, R4ASQIC and R6AIC

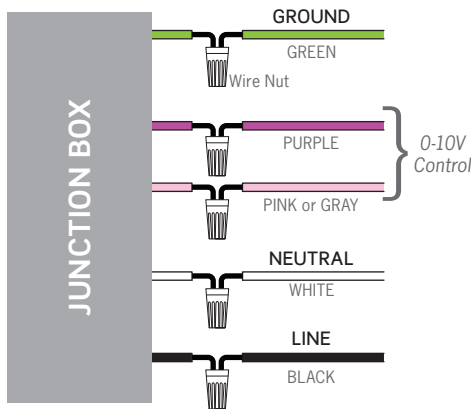
**Note:** Before attempting installation please refer to your local electrical code.

## ELECTRICAL CONNECTION

**Local electrical codes should be consulted to determine acceptable installation: Conduit, Romex or Flexible Metal Cable**

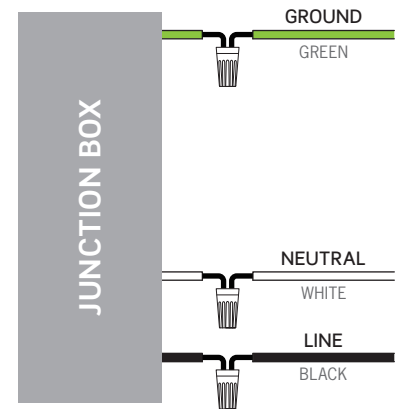
- Remove the Junction Box cover
- Follow the proper wiring diagram for the selected electrical/dimming option
- Ensure wiring is the correct voltage for the luminaire – either 120V or 277V
- Close Junction Box cover after wiring; ensuring all wires are safely within

**WIRING DIAGRAM 1**



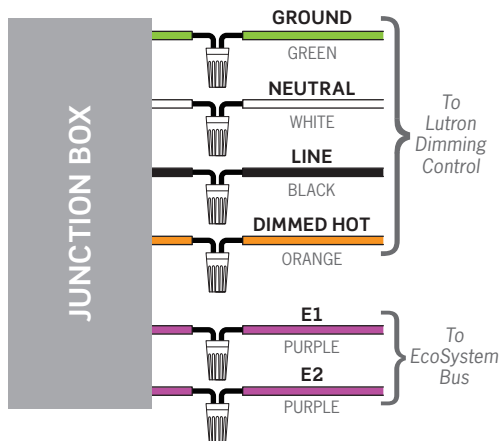
- DIMMING OPTIONS:** MVD, MVD6, MVD8  
**ELECTRICAL:** 120V or 277V  
**DIMMING:** TRIAC, ELV and 0-10V
- TRIAC or ELV Dimming require Purple and Pink/Gray wires to be capped
  - TRIAC and ELV Dimming are not available for 277V MVD Dimming option

**WIRING DIAGRAM 2**



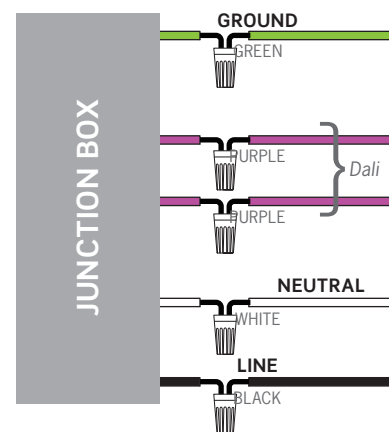
- DIMMING OPTIONS:** MVD3  
**ELECTRICAL:** 120V Only  
**DIMMING:** Lutron Hi-lume

**WIRING DIAGRAM 3**



- DIMMING OPTIONS:** MVD4  
**ELECTRICAL:** 120V  
**DIMMING:** Lutron EcoSystem

**WIRING DIAGRAM 4**



- DIMMING OPTIONS:** MVD7, MVD9  
**ELECTRICAL:** 120V or 277V  
**DIMMING:** Dali

**CONTINUED**

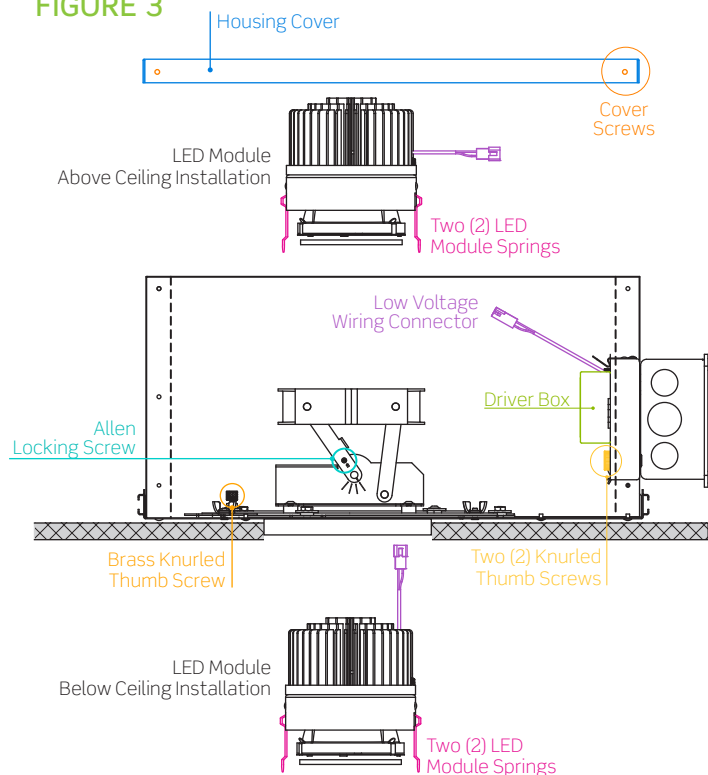
## INSTALLATION INSTRUCTIONS | 4- and 6-Inch IC Adjustable LED Downlights: R4AIC, R4ASQIC and R6AIC

**Note:** Before attempting installation please refer to your local electrical code.

### LED MODULE AND TRIM INSTALLATION:

- **IMPORTANT NOTE:** LED Module can be installed from above or below the ceiling
- If installing from above ceiling, remove four (4) cover screws on Housing for access
- Make low voltage wiring connection by joining connectors from LED Module and Driver Box
- Ensure connection is made through Adjustable Mechanism opening when installing LED Module from below
- Align two (2) LED Module springs with Adjustment Mechanism and insert Module until it snaps into place
- Replace Housing Cover and screws
- Adjustment Mechanism rotation can be locked in place utilizing the brass knurled thumb screw. Tilt can be locked in place utilizing an M1.5 allen key (supplied by others).
- Trims are held securely in place with spring clips:
  - Flex the springs to install in housing
  - Push Trim firmly against ceiling

**FIGURE 3**



### LED DRIVER REPLACEMENT:

**FIGURE 4**

**NOTE:** LED Driver should be replaced by a qualified electrician. Turn off power at fuse or circuit breaker box before replacing the LED driver.

- If servicing from ABOVE:
  - Remove four (4) cover screws on housing for access
  - Disconnect low voltage wiring connection between LED Module and Driver box
- If servicing from BELOW:
  - Pull Trim down out of Housing being careful to support Trim Spring Clips to avoid ceiling damage
  - Disconnect low voltage wiring connection between LED Module and Driver Box
  - Remove LED Module from Adjustment Mechanism
- Remove the two (2) Knurled Thumb Screws to release Driver Box
- Disconnect LED Driver from line voltage input wiring in Junction Box
- Disconnect the LED Driver from the LED Leads (the Leads are terminated by Crimp Connectors)
- Reinstall factory approved LED Driver by reversing above procedure

**CONTINUED**